

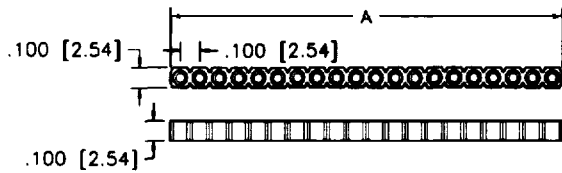
SERIES 301 SIP SOCKET (SNAP)

302 SIP SOCKET (SOLID)

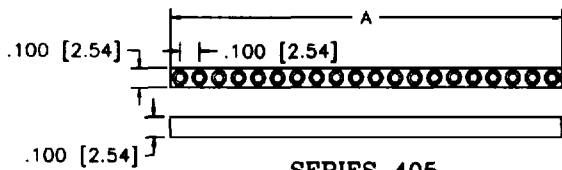
405 SIP SOCKET (LAMINATE WAFER)

411 SIP SOCKET (POLYIMIDE WAFER)

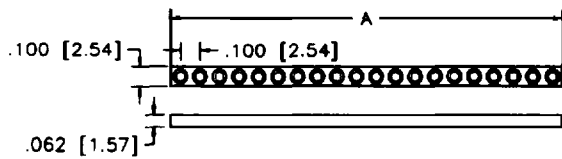
SERIES 301 SNAP BREAKABLE INSULATOR



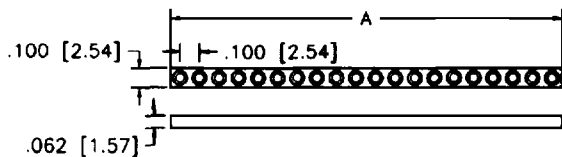
SERIES 302 SOLID INSULATOR



SERIES 405 LAMINATE INSULATOR



SERIES 411 POLYIMIDE INSULATOR



PIN	DIM "A"	
2	.200 [5.08]	002
3	.300 [7.62]	003
4	.400 [10.16]	004
5	.500 [12.70]	005
6	.600 [15.24]	006
7	.700 [17.78]	007
8	.800 [20.32]	008
9	.900 [22.86]	009
10	1.000 [25.40]	010
11	1.100 [27.94]	011
12	1.200 [30.48]	012
13	1.300 [33.02]	013
14	1.400 [35.56]	014
15	1.500 [38.10]	015
16	1.600 [40.64]	016

PIN	DIM "A"	
17	1.700 [43.18]	017
18	1.800 [45.72]	018
19	1.900 [48.26]	019
20	2.000 [50.80]	020
21	2.100 [53.34]	021
22	2.200 [55.88]	022
23	2.300 [58.42]	023
24	2.400 [60.96]	024
25	2.500 [63.50]	025
26	2.600 [66.04]	026
27	2.700 [68.58]	027
28	2.800 [71.12]	028
29	2.900 [73.66]	029
30	3.000 [76.20]	030
31	3.100 [78.74]	031
32	3.200 [81.28]	032

TECHNICAL SPECIFICATIONS

MATERIAL INSULATOR	GLASS FILLED POLYESTER UL 94V-0 LISTED
TERMINAL CONTACT	BRASS PER ASTM-B16 BeCu PER ASTM-B194
CONTACT FORCES	
INSERTION	STANDARD 9 oz. AVG.
WITHDRAWAL	STANDARD 2 oz. MIN.

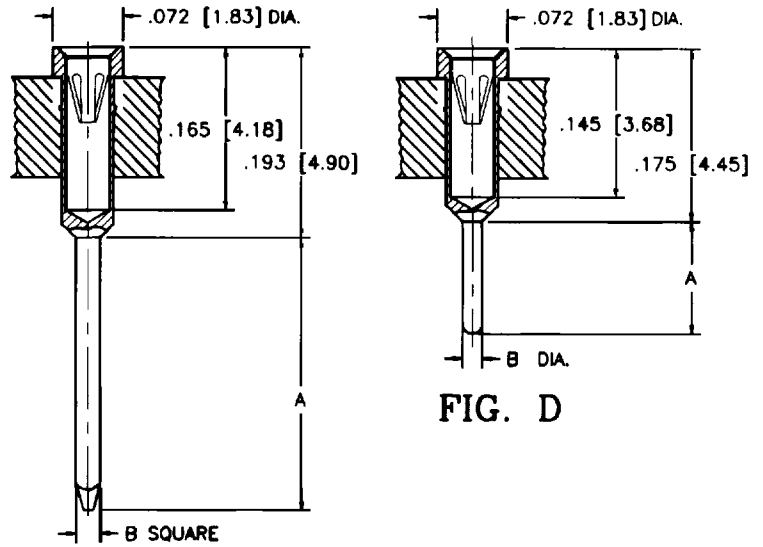


FIG. C

FIG. D

TERMINAL CHART			
TERMINAL	FIG.	DIM "A"	DIM "B"
-01	D	.115 [2.92]	.020 [0.51]
-02	C	.370 [9.40]	.025 [0.64]
-03	C	.510 [12.95]	.025 [0.64]
-08	D	.170 [4.31]	.020 [0.51]
-09	D	.280 [7.11]	.020 [0.51]
-11	D	.135 [3.43]	.020 [0.51]
-94	D	.125 [3.17]	.018 [0.46]

CONTACT TYPE

S: STANDARD DIP	INSERTION FORCE	9.0 oz. AVG.
	WITHDRAWAL FORCE	2.0 oz. MIN.
M: STANDARD PGA	INSERTION FORCE	1.6 oz. MAX.
	WITHDRAWAL FORCE	0.5 oz. MIN.
L: INTERSTITIAL PGA	INSERTION FORCE	1.0 oz. MAX.
	WITHDRAWAL FORCE	0.3 oz. MIN.
H: HIGH FORCE	INSERTION FORCE	18.3 oz. MAX.
	WITHDRAWAL FORCE	4.2 oz. MIN.

ORDERING INFORMATION

301-OXX-XXX-PXX-B10
 302-OXX-XXX-PXX-B10
 405-OXX-XXX-PXX-N10
 411-OXX-XXX-PXX-H10

