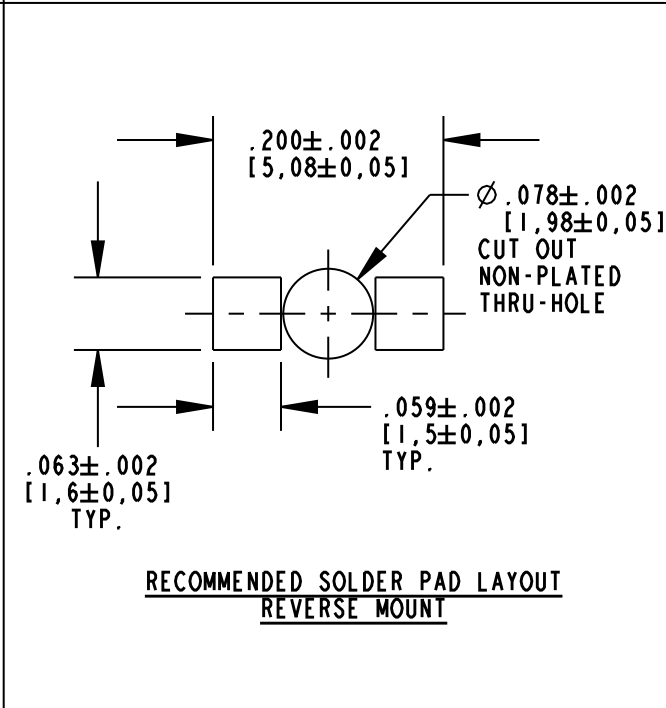
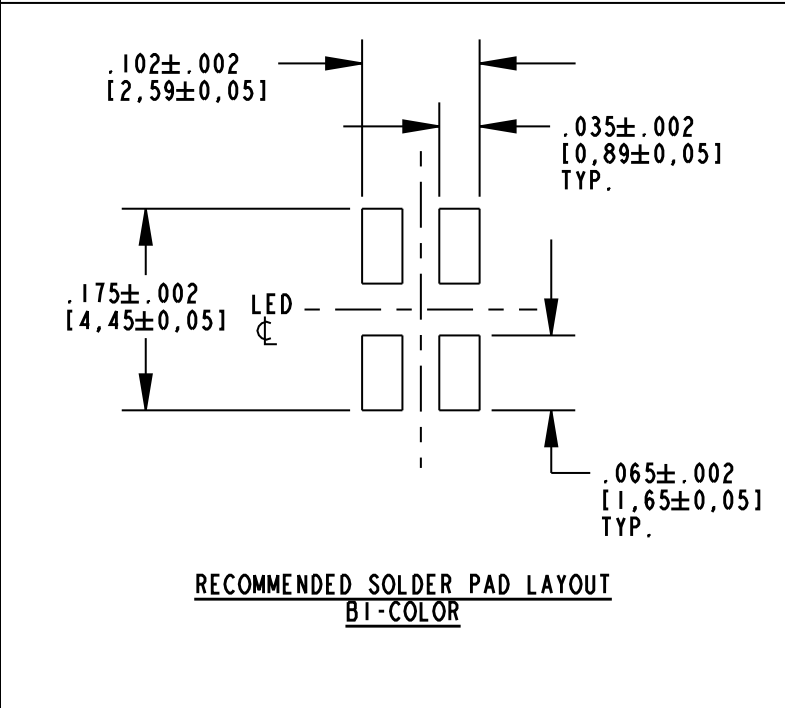
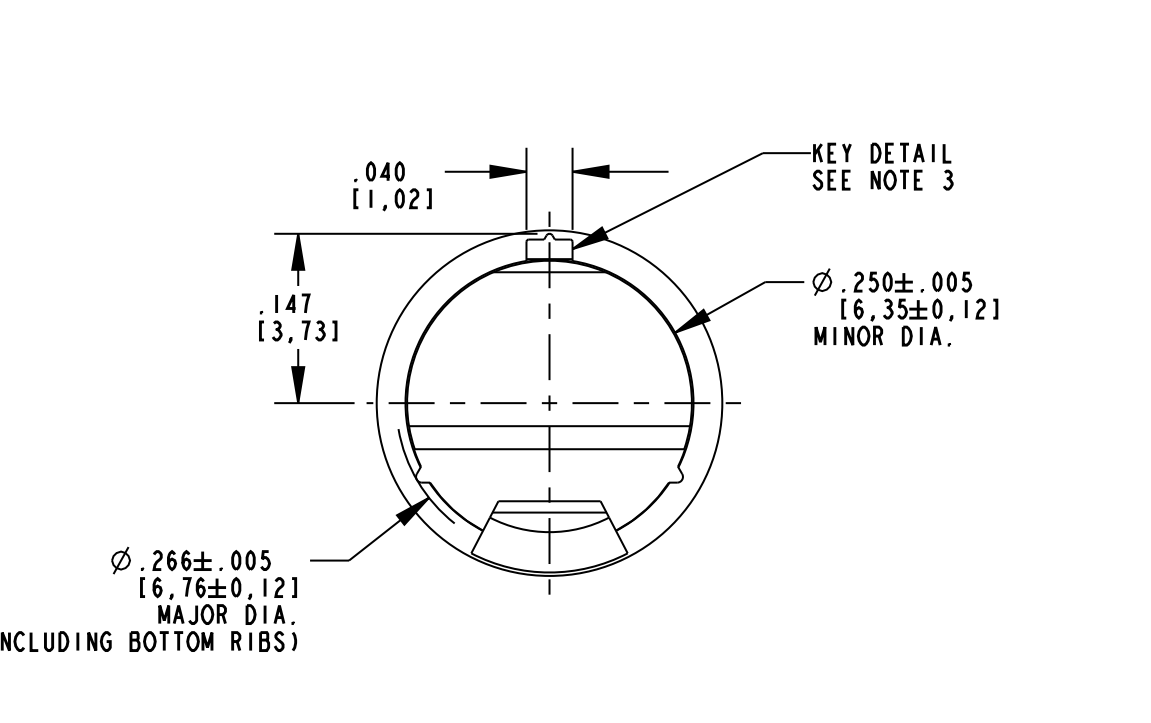
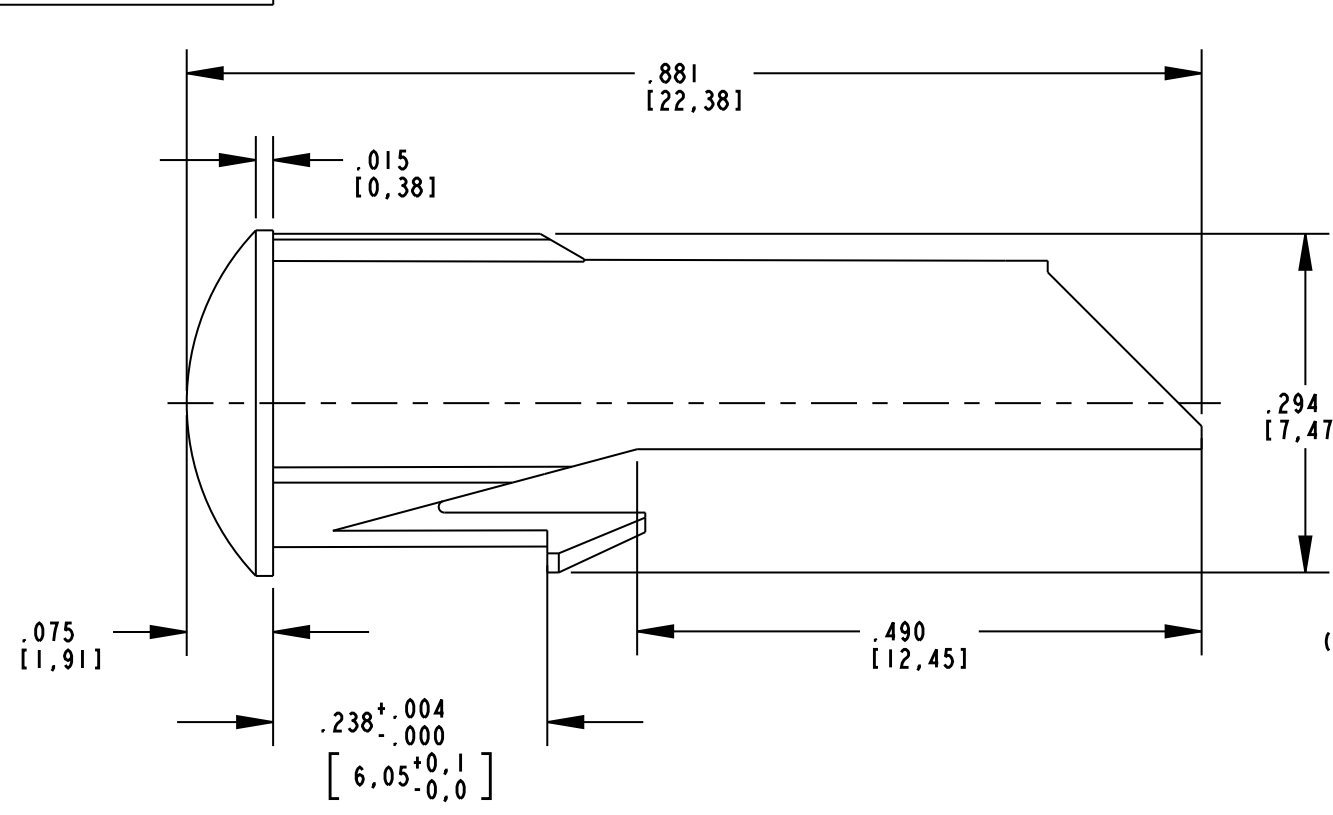
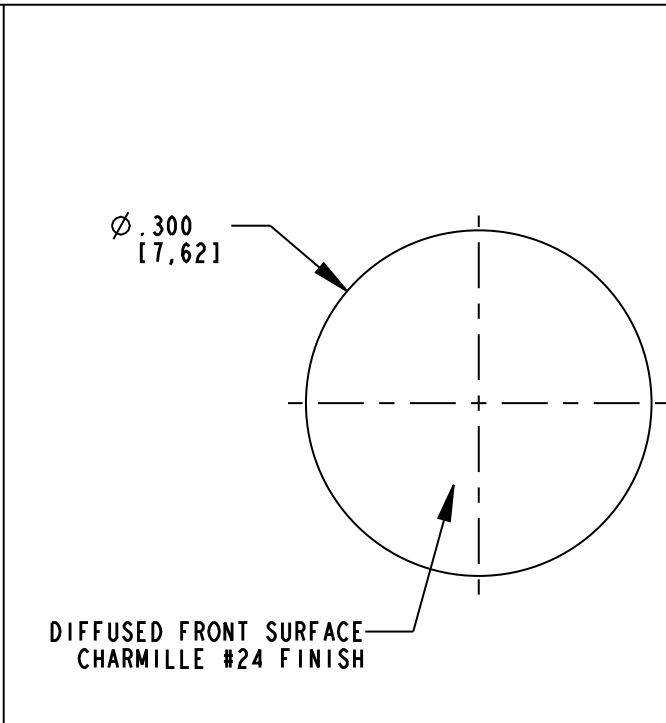
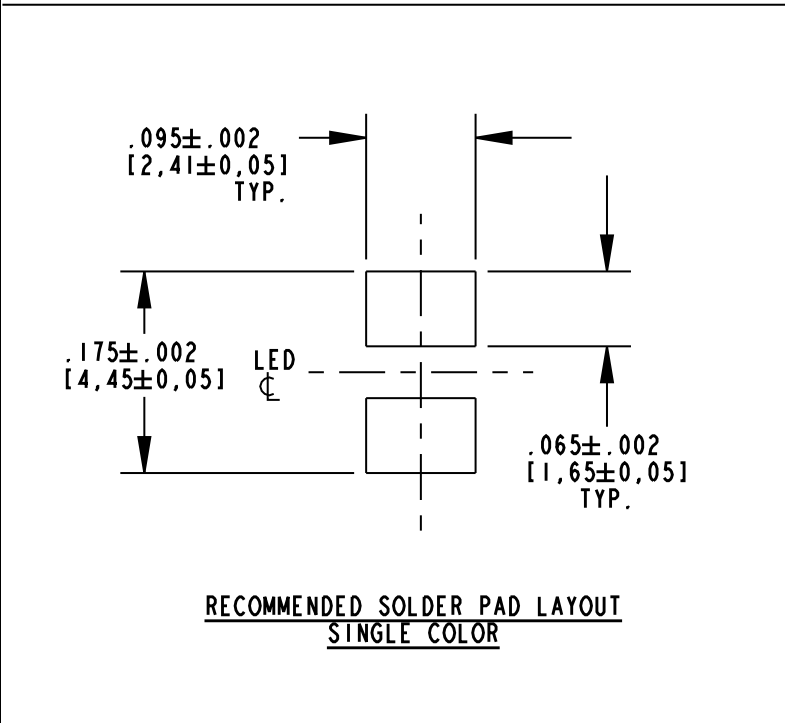
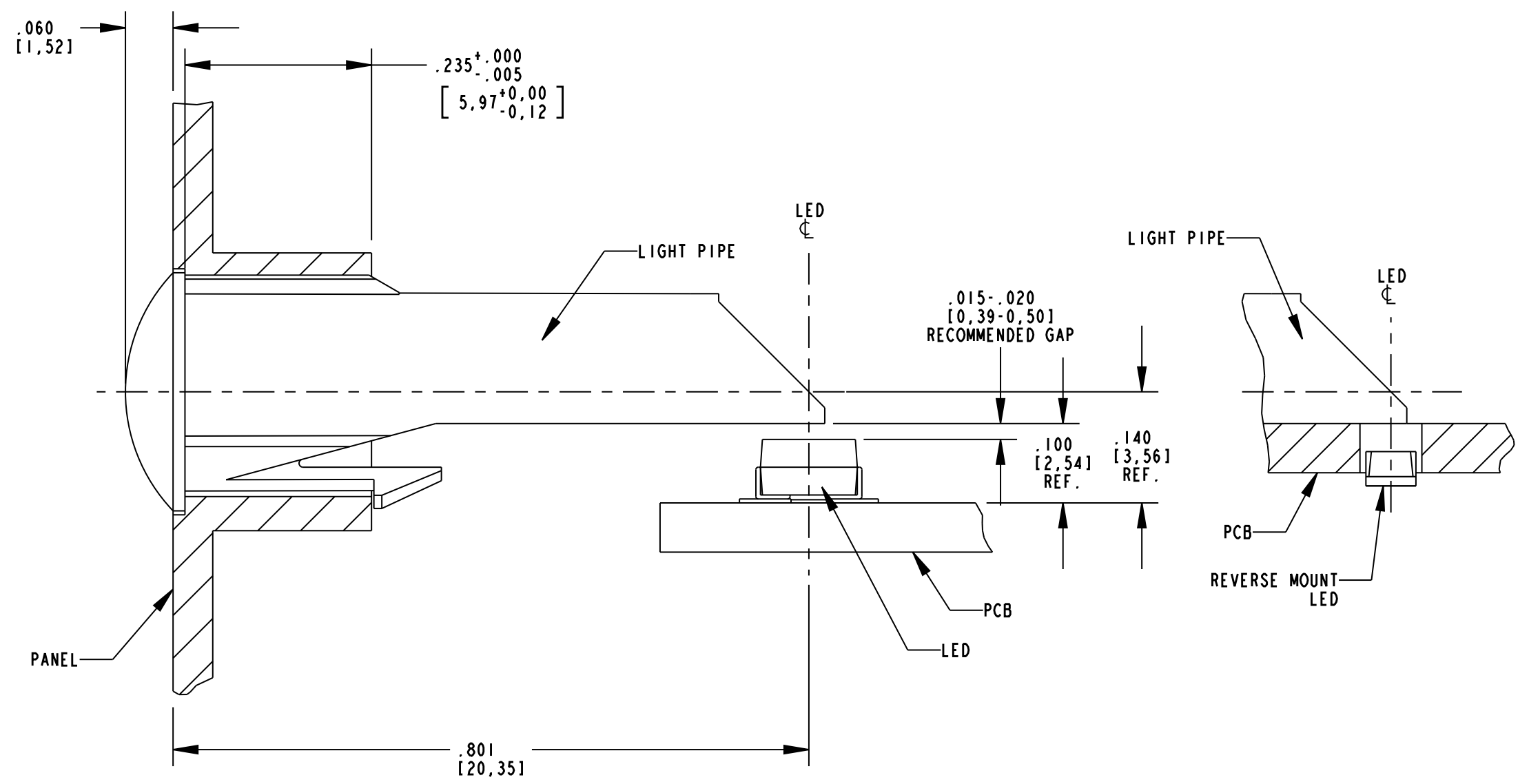
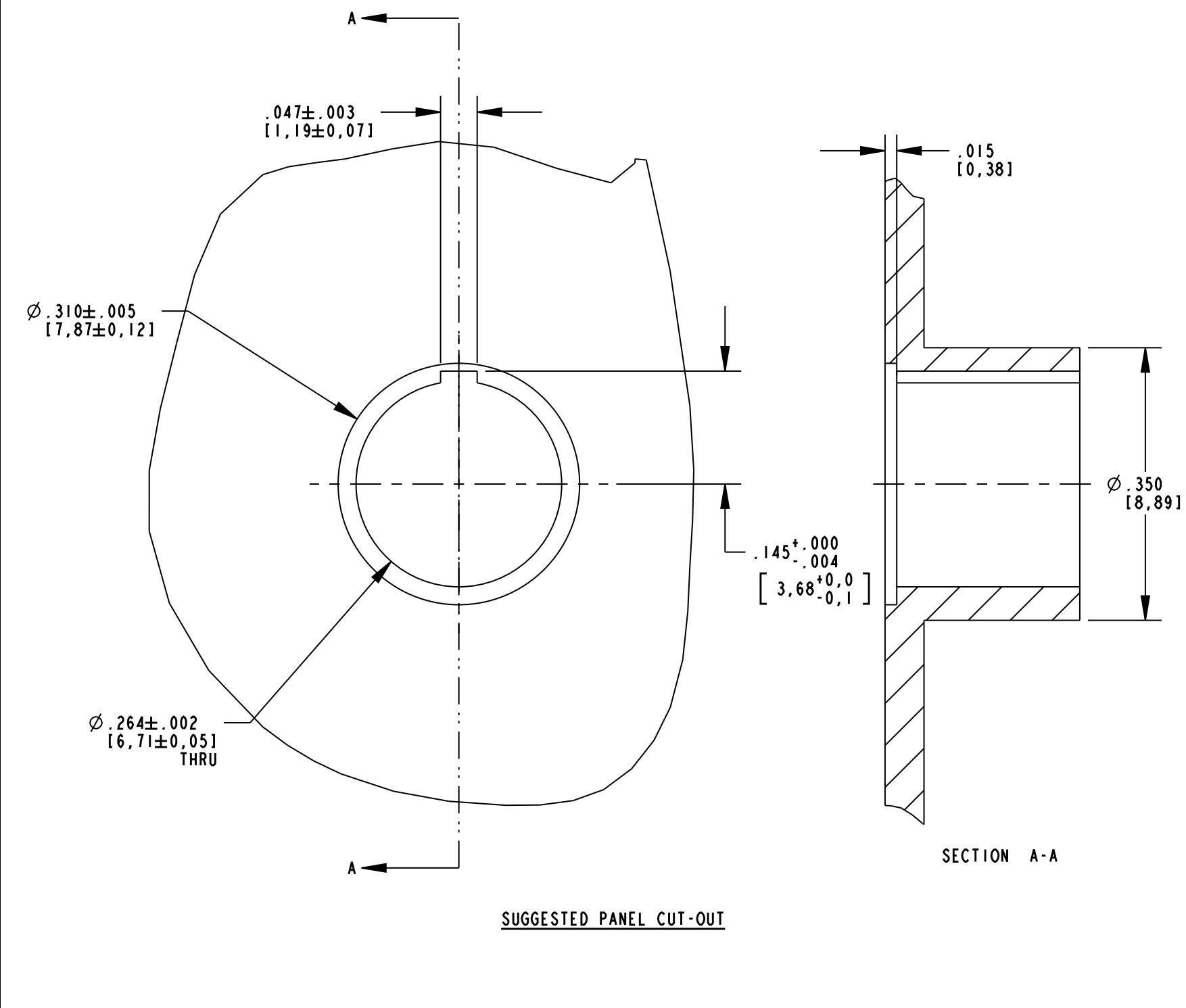
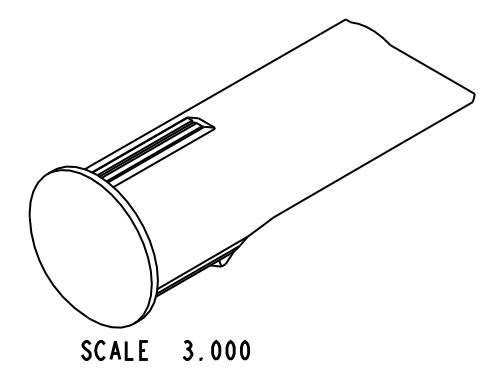


REV	ECN NO	REVISIONS	DRN	CKD	APP	DATE
A		NEW RELEASE	AJF	KLJ	NO	7-28-10

**RoHS COMPLIANT 515-1104F**  
 Part Numbers with the "F" suffix ending are RoHS Compliant.  
 Packaging is marked with "RoHS Compliant" label or equivalent markings.



- NOTES:**
- DIALIGHT PART NUMBER: 515-1104F.
  - COMPONENT DESIGNED TO BE SNAPPED INTO PANEL FROM FRONT.
  - KEY DETAIL FOR ALIGNMENT.
  - MATERIAL TO BE CLEAR, TRANSMISSIVE POLYCARBONATE (UV-94-V0 FLAMMABILITY).
  - UNLESS OTHERWISE SPECIFIED, ALL SURFACES HAVE A FINISH OF SPI A3 TO B1.
  - STORAGE AND OPERATING TEMPERATURE: -30 TO +100°C.
  - RECOMMENDED SURFACE MOUNT LEDS DIALIGHT PART NUMBERS:  
 597-3XX1-20XF (SINGLE COLOR)  
 597-77XX-20XF (BI-COLOR)  
 597-6XXX-607F (SINGLE COLOR REVERSE MOUNT)



THIS DRAWING AND THE CONTENTS HEREIN ARE CONFIDENTIAL AND THE SOLE PROPERTY OF DIALIGHT. REPRODUCTION OF THIS DRAWING OR CONSTRUCTION OF ANY PARTS WITHIN THIS DRAWING ARE FORBIDDEN WITHOUT THE WRITTEN CONSENT OF DIALIGHT.		
SCALE: 6.000	DRAWING NUMBER	REV
ALL DIM'S IN: INCHES (MM)	C-17858	A
TOLERANCES: UNLESS OTHERWISE SPECIFIED	TITLE	
FRACTIONS: ±1/64	SINGLE ELEMENT PANEL MOUNT LIGHT PIPE	
DECIMALS (.XX): ±.01	MATERIAL	
DECIMALS (.XXX): ±.005	SEE NOTES	
DECIMALS (.XXXX): ±.0005	Dialight	
ANGLES: ±1°	1501 ROUTE 34 SOUTH FARMINGDALE, NJ 07727	
FINISH:	FSCM 83330	
SHEET 1 OF 1 FAMILY TABLE:		