

RED IS ORIGINAL

DISK # H 1
 DWG SIZE C
 DATA CONTAINED IN THIS DOCUMENT IS PROPRIETARY TO TROMPETER ELECTRONICS INC. AND SHALL NOT BE DISCLOSED, COPIED OR USED FOR PROCUREMENT OR MANUFACTURE WITHOUT EXPRESS WRITTEN PERMISSION.

REVISONS			3-0135	SH 1	
REV	EO	DESCRIPTION	DWN	APPROVED	DATE
B	10050	PICTORIALLY CHANGED 1.00 FLARED SEALING SLEEVE TO STRAIGHT (1.25) LONG SEALING SLEEVE; GENERAL UPDATE	DKC	<i>DKC</i>	12/20/92

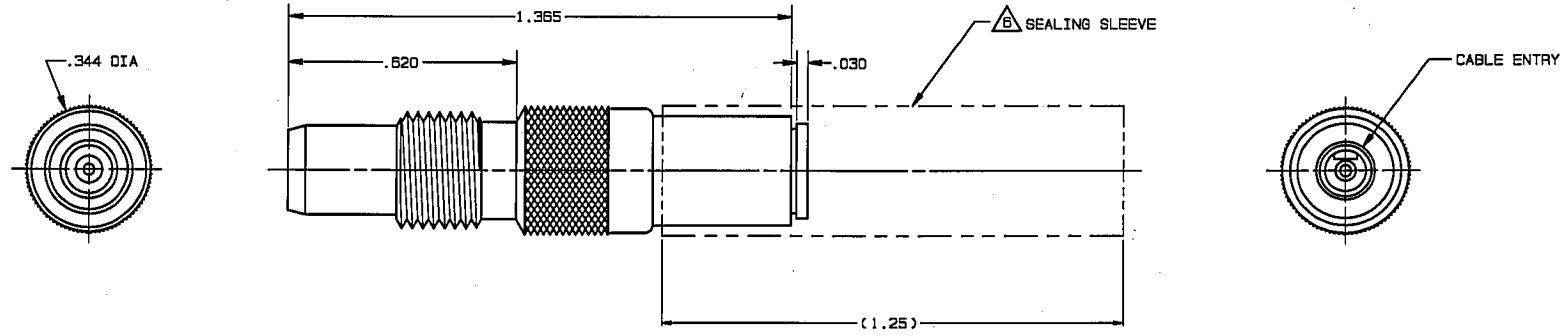
TABLE 1

DASH NO	MODEL NO	CENTER CONTACT/INTMD CONTACT TYPE
-1	CJ3450AC P	SOCKET/PIN
-2	CJ3450AC S	PIN/SOCKET

TABLE 2

CABLE GROUP NO	CABLES ACCOMMODATED	ASSEMBLE PER
-201	M17-176-00002	TAI-162
-202	TWC-78-1, TROMPETER	
-203	TWC-124-1A, TROMPETER	
-204	10602, RAYCHEM	
-205	TWAC-78-1F2, TROMPETER	
-206	782600130, RAYCHEM	
-208	202-3927, MICRODOT	
-209	202-3942, MICRODOT	
-212	2524E0114, RAYCHEM	
-217	6C875TM24H GRUMMAN	
-218	EPD22188B, RAYCHEM	
-219	2526D1114, RAYCHEM	
-220	6C875RR1, GRUMMAN	
-221	10614, RAYCHEM	
-222	10613, RAYCHEM	
-223	HMS2-1149, HUGHES	

INCH	MM
.010	0.25
.030	0.76
.05	1.52
.255	6.48
.344	8.74
.620	15.75
1.25	31.75
1.365	34.67



5. EXAMPLE OF COMPLETE MODEL NO:
CJ3450AC P-201
 BASIC MODEL NO (SEE TABLE 1) — CABLE GROUP NO (SEE TABLE 2)
 — CENTER & INTERMEDIATE CONTACT TYPE (SEE TABLE 1)

4. EXAMPLE OF COMPLETE PART NO:
3-0135-1-201
 BASIC PART NO — CABLE GROUP NO (SEE TABLE 2)
 — DASH NO (SEE TABLE 1)

3. CONCENTRIC TWINAX 4 PIECE ASSY, FULL CRIMP NONINSULATED BULKHEAD MOUNT RECEPTACLE, SOCKET CENTER CONTACT AND PIN INTERMEDIATE CONTACT OR PIN CENTER CONTACT AND SOCKET INTERMEDIATE CONTACT

2. FINISH: TFS-1U

1. ALL DIM ARE IN INCHES

B SEALING SLEEVE AND CRIMP BUSHING TO BE SUPPLIED LOOSE WITH EACH CONNECTOR

QTY	DESCRIPTION	PART NUMBER	ITEM
TOL UNLESS SPECIFIED .XX ±.06 .XXX ±.010 .XXXX ANGLE±		TROMPETER ELECTRONICS, INC.	CJ3450ACP/S
DWN	DKC 12-2-92	MATERIAL	CODE IDENT
CHK	<i>DKC 12/20/92</i>	14949	DRAWING NO. 3-0135
ENGR	<i>DKC</i>		REV B
NEXT ASSY	APPR <i>DKC</i> 12/20/92	SCALE 4/1	DATE 3/6/89 SHEET 1 OF 2