

Office Lighting Dangle luminaire Series



Features

- No UV light radiation
- Full range of white colors available
- Ra>75 for white color
- High luminosity output
- Long lifetime>35000 hours(L₇₀)

Applications

- Indoor Lighting
- Architectural Lighting
- Agricultural Lighting

Coding of Part Number:

OL – Dangle / Frame

1 2 3

1. Product series

OL: Office Lighting

2. Luminaire Type

Dangle: Luminaire for suspend type

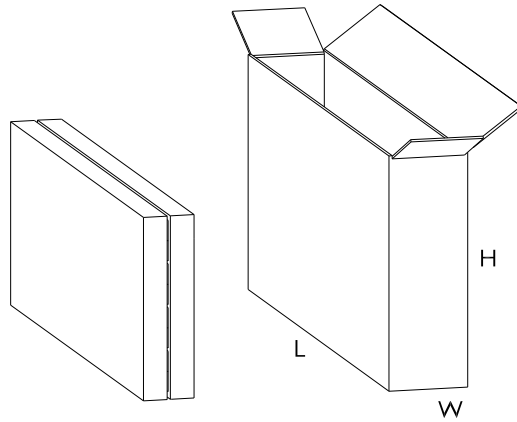
3. Lighting Source

Frame: frame type for 20W T5 Cobra x 2

BL4: reflect type for 20W T5 Cobra x 2

Parameter	Description
Suggested Light Source	Everlight T5 Cobra Module
Operation Temperature	-20°C ~+40°C
Storage Temperature	-20°C ~+60°C
Power Input	100~240 VAC Input
Estimated Power Consumption	44 Watt For Frame & BL4
Power Supplier	AC to DC power source
Power Factor	100V AC/60Hz, PF>0.9 230V AC/50Hz, PF>0.9

Package information



Size	Dangle-BL4	Dangle-FSHBC282LG
Luminaire Size, mm	1181 x 138 x 62	1220 x 250 x 67
L,mm	1210	1210
W,mm	305	270
H,mm	252	140
Products per Carton, pcs	5	2
Weight, kg	12.5	7

Label Explanation

