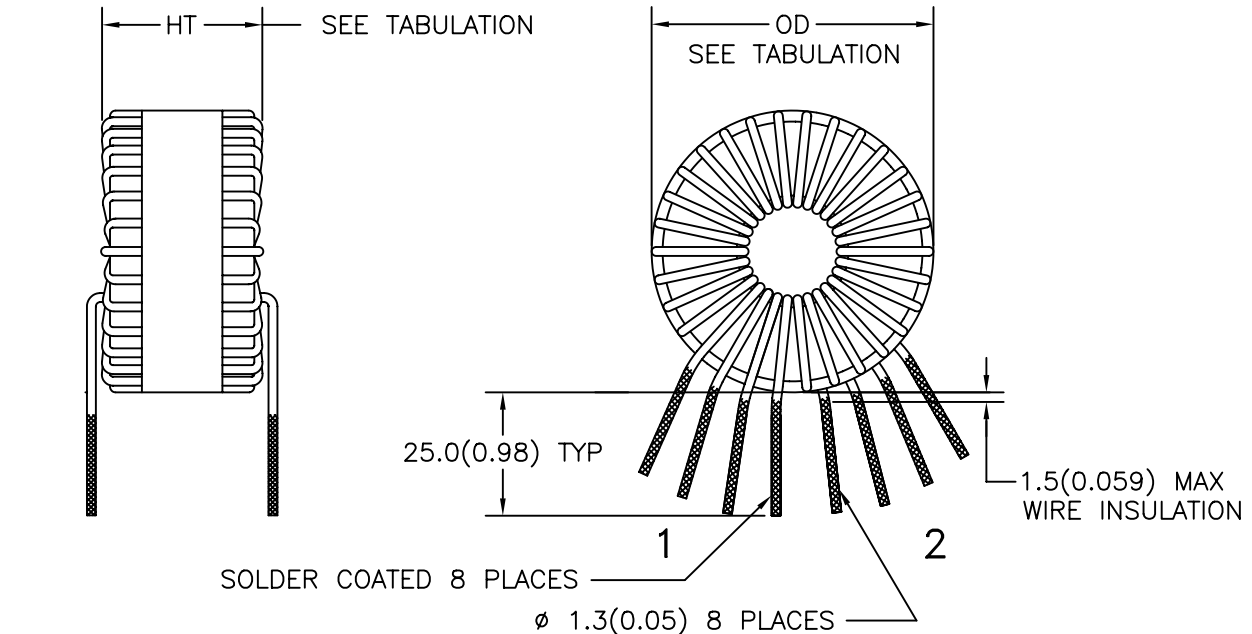
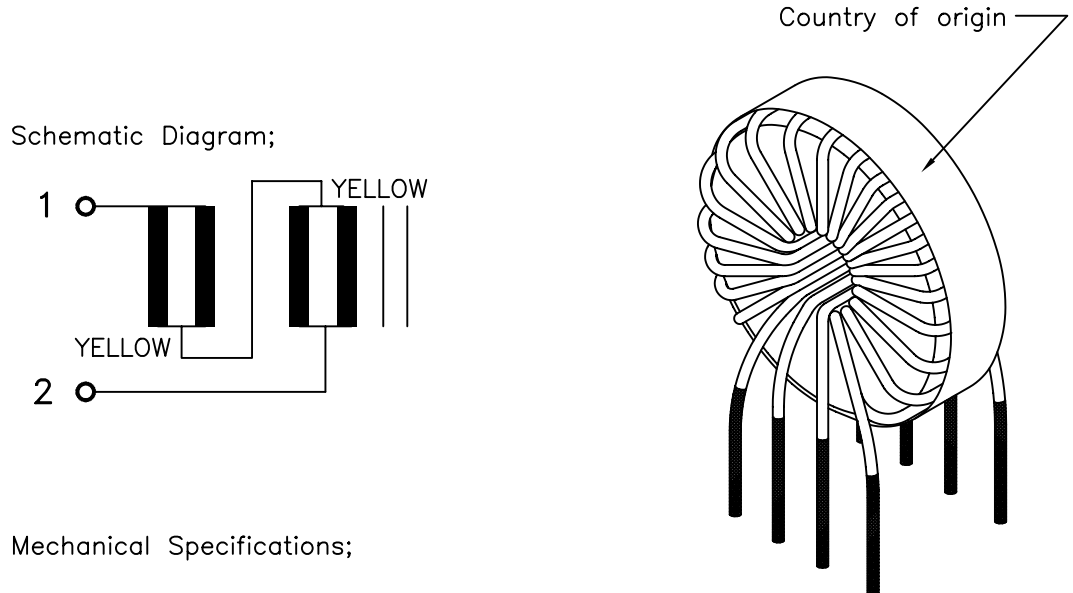


REV. Status	TCA NO.	MODEL NO.	RATED CURRENT (ADC)	INDUCTANCE (uH)±20%	DCR (mohm MAX)	OD MAX	HT MAX
REVISION - 05/06/98 TS	P-A4-12053-01	SKC-206	10	400	28.8	55.0(2.17)	26.0(1.02)
	P-A4-12053-02	SKC-207	10	600	38.4	56.0(2.20)	27.0(1.06)
	P-A4-12053-03	SKC-208	10	800	38.4	56.0(2.20)	33.0(1.30)

SKC-206~208



NOTE: Inductance is measured at 1 KHz, 1 Vrms with specified DC current

PREPARED BY:  
D. Kelley

ENGINEER:  
T. Shiozawa

DWG CONTROL NO. P-A4-12053  
ACAD\MISCX\A4120531.DWG

REV -  
POWER INDUCTOR FOR SWITCH MODE POWER SUPPLIES

SKC-206~208

QUALITY CONTROL:  
D. Kelley

CONTENTS OF THIS DRAWING ARE SUBJECT TO CHANGE WITHOUT PRIOR NOTICE

**TAMURA CORPORATION OF AMERICA**  
43352 BUSINESS PARK DRIVE, TEMECULA, CA. 92590-6624  
(909) 699-1270 FAX 9096769482

MODEL SPECIFICATION  
DIM: mm(In) SCL: NONE SH: 1 OF 1

APPROVED:  
D. Suzuki

PROPRIETARY NOTICE: THIS DRAWING PRINT OR DOCUMENT AND SUBJECT MATTER DISCLOSED HEREIN ARE PROPRIETARY ITEMS TO WHICH TAMURA RETAINS THE EXCLUSIVE RIGHT OF DISSEMINATION, REPRODUCTION, MANUFACTURE AND SALE. THIS DRAWING, PRINT OR DOCUMENT IS SUBMITTED IN CONFIDENCE FOR CONSIDERATION BY THE RECIPIENT ALONE UNLESS PERMISSION FOR FURTHER DISCLOSURE IS EXPRESSLY GRANTED IN WRITING.