



ARINC 404

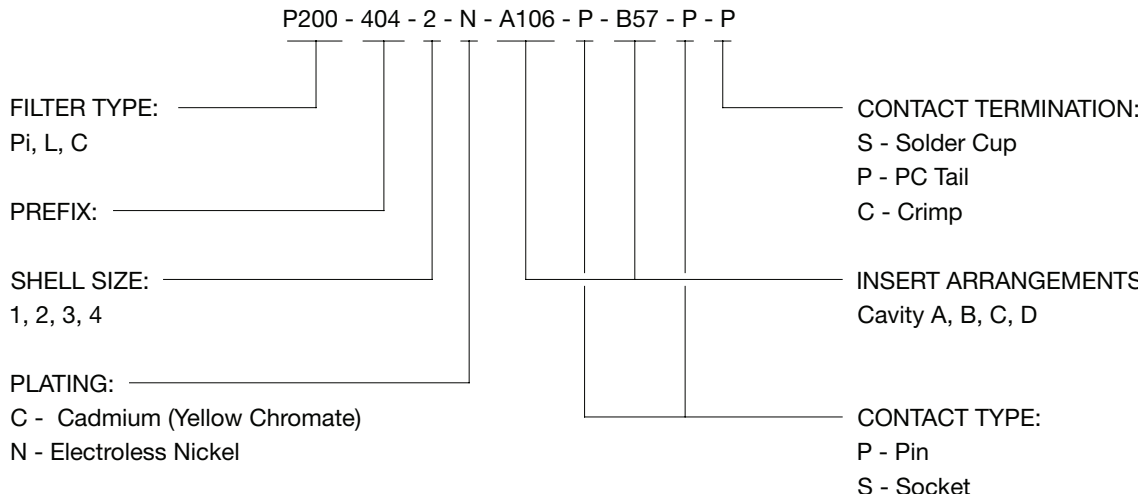
MIL-C-81659



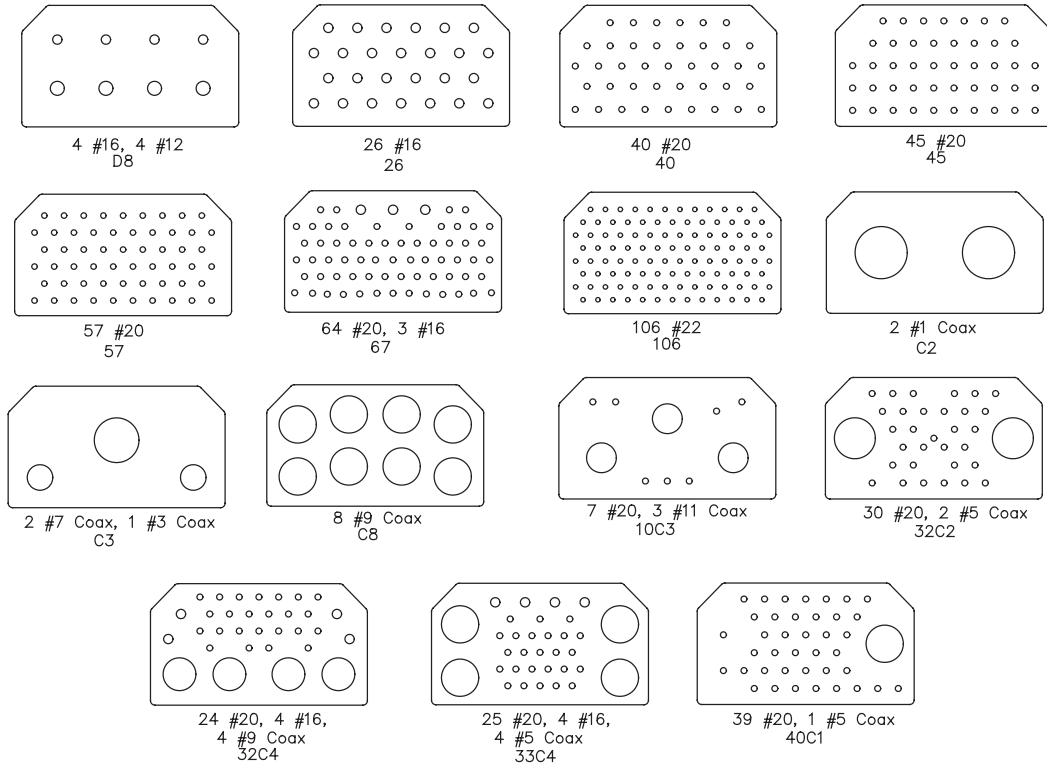
Sabritec's ARINC 404 filter connectors are designed to meet or exceed all applicable requirements of the military specification. These connectors are intermateable and interchangeable with the standard non-filtered connectors.

Material and Finishes	
Shell	Aluminum alloy/Steel/Composite
Insulator	High grade plastic/epoxy
Contacts	Copper alloy, gold plate
Grommet & Seal	Silicon base elastomer
Ground Plane	Beryllium copper, silver plate
Capacitor	Barium Titanate
Inductor	Ferrite bead

Part Number Description Code



Insert Arrangements



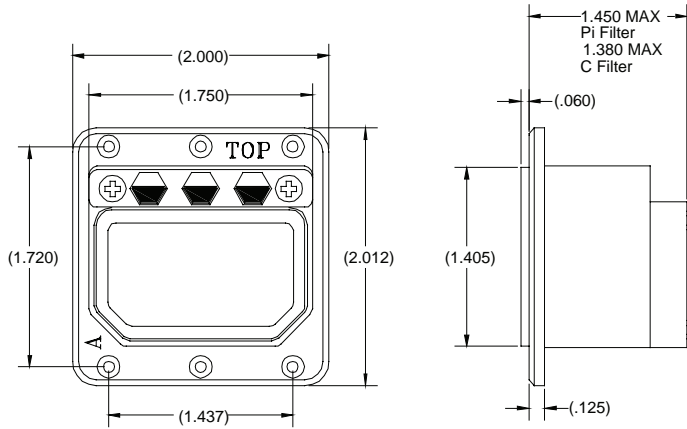
Sabritec provides specialty, enhanced performance connectors and cable assemblies and as such does not currently offer circular, rack and panel, or D-subminiature connectors that are listed on military standard Qualified Products Lists (QPL) per applicable detail specification sheets. Sabritec's connectors are fully intermateable with applicable QPL products and meet the applicable requirements of all military standards listed in this catalog.



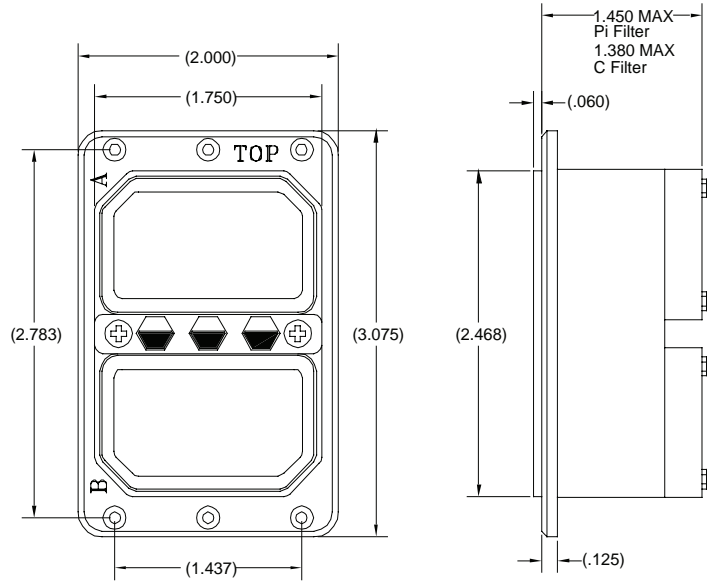
ARINC 404

MIL-C-81659

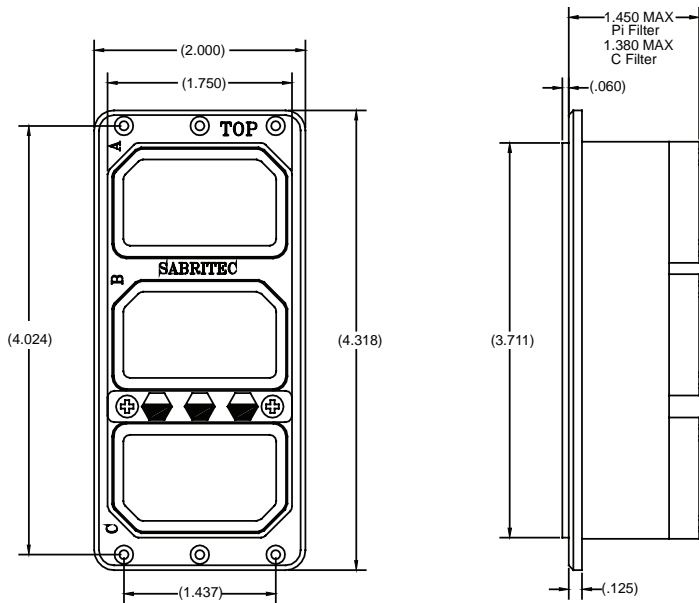
Shell Size 1



Shell Size 2



Shell Size 3



Shell Size 4

