

# CRIMP SHELLS ORDERING CODE

PDI- 15 R H S - C - H

## NUMBER OF PINS

STANDARD	=9
	=15
	=25
	=37
HIGH DENSITY	=15
	=26
	=44
	=62

## GENDER

MALE	=S
FEMALE	=R

## SPACING

STANDARD	=BLANK
HIGH DENSITY	=H

## MATING FACE

2.5mm HEX RIVET	=BLANK
HOLE	=H
RIVETED HEX STANDOFF	=K
4-40 THREADED RIVET & JACK SCREW (UNASSEMBLED)	=P
4-40 THREADED RIVET & JACK SCREW	=R

6

5

4

3

2

1

**MATERIAL AND FINISH**

Shell: Steel, tin plated.

Insulator: PBT & glass filled reinforced, UL 94V-0 rated.

**ELECTRICAL SPECIFICATIONS:**

Rated current: 3A

Rated voltage: 250VDC

Insulation resistance: 3000 Mohm min @ 500VDC

Dielectric withstanding voltage: 1000VAC / 1 MIN.

Contact resistance: 15 mohm

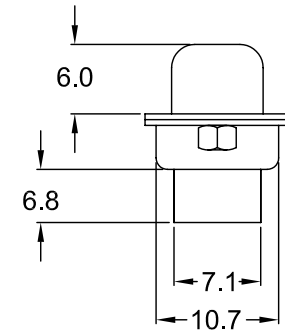
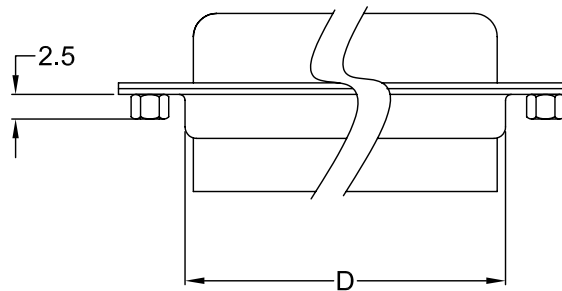
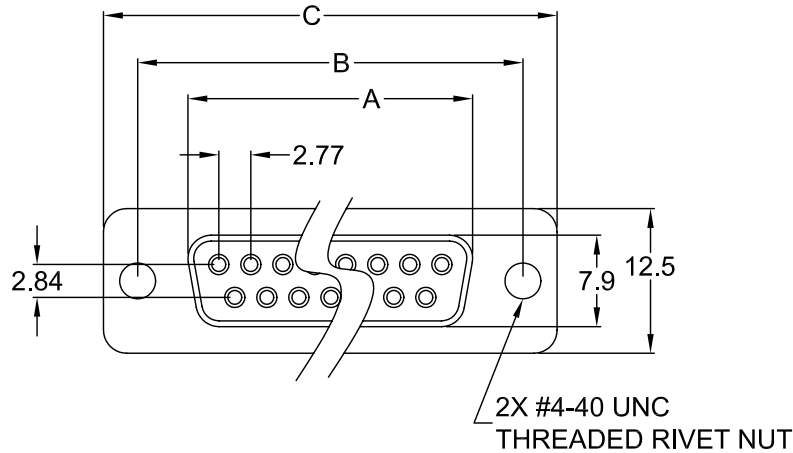
**ENVIRONMENTAL:**

Operating temperature: -55°C to +105°C

**NOTES:**

1. Replace first XX in P/N with number of positions.

POSITION	A	B	C	D
09	16.3	25.0	30.8	19.2
15	24.6	33.3	39.2	27.7
25	38.3	47.1	53.1	41.1
37	54.8	63.5	69.4	57.3



-X: SEE ORDERING CODE FOR OPTIONS

REVISIONS	CHNG	CHK	APPR
	CHANGE		
	REV	DATE	

TOLERANCE UNLESS OTHERWISE SPECIFIED			
X	± 1		
X.X	± 0.4		
X.XX	± 0.20		
DRAWN BY	DF	DATE:	2/10/06
CHECK BY		DATE:	
APPR BY		DATE:	

**Power Dynamics, Inc.**

Phone: 973 560-0019 Whippany, New Jersey Fax: 973 560-0076

PART: FEMALE CRIMP HOUSING D-SUB  
STANDARD, 2.5mm HEX RIVET

PART #: PDI-XXRS-C-X		SHEET 1 of 1
SIZE: A	ALL DIMENSIONS FOR REFERENCE ONLY DIMENSIONS ARE IN MILLIMETERS	REV:
SCALE: NTS		

6

5

4

3

2

1

6

5

4

3

2

1

**MATERIAL AND FINISH**

Insulator: PBT & glass filled reinforced, UL 94V-0 rated.  
Shell: Steel, Tin plated.

**ELECTRICAL SPECIFICATIONS:**

Rated current: 3A  
Rated voltage: 250VDC  
Insulation resistance: 3000 Mohm min @ 500VDC  
Dielectric withstanding voltage: 1000VAC / 1 MIN.  
Contact resistance: 15 mohm max.

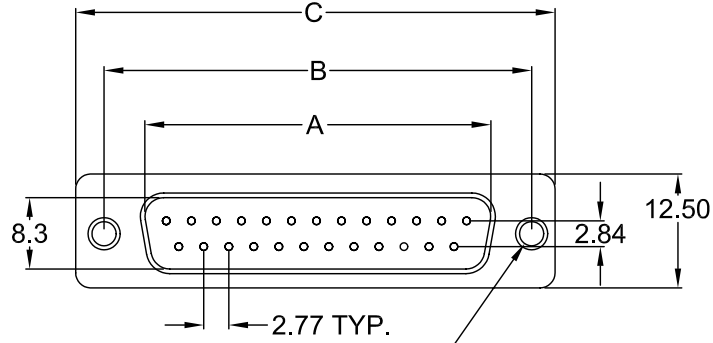
**ENVIRONMENTAL:**

Operating temperature: -55°C to +105°C

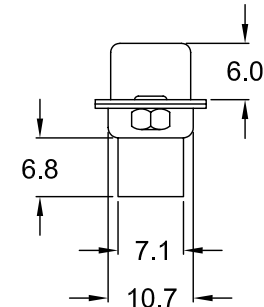
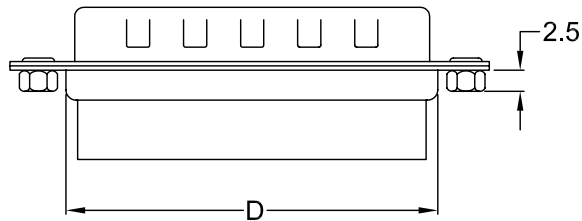
**NOTES:**

1. Replace first XX in P/N with number of positions.

POSITION	A	B	C	D
09	16.9	25.0	30.8	19.2
15	25.2	33.3	39.2	27.7
25	38.9	47.1	53.1	41.1
37	55.4	63.5	69.4	57.3



2X #4-40 UNC  
THREADED RIVET NUT



-X: SEE ORDERING CODE FOR OPTIONS

REVISIONS	CHNG	CHECK	APPR
	DATE	CHANGE	
	REV	DATE	BY

TOLERANCE UNLESS OTHERWISE SPECIFIED	
X	± 1
X.X	± 0.4
X.XX	± 0.20
DRAWN BY	DF
DATE:	2/10/06
CHECK BY	DATE:
APPR BY	DATE:

**Power Dynamics, Inc.**  
Phone: 973 560-0019 Whippany, New Jersey Fax: 973 560-0076

PART: MALE CRIMP HOUSING D-SUB  
STANDARD, 2.5mm HEX RIVET

PART #: **PDI-XXSS-C-X**

SIZE: A  
SCALE: NTS

ALL DIMENSIONS FOR REFERENCE ONLY  
DIMENSIONS ARE IN MILLIMETERS

SHEET 1 of 1  
REV:

6

5

4

3

2

1

6

5

4

3

2

1

**MATERIAL AND FINISH**

Insulator: PBT & glass fiber reinforced, UL-94V-0 rated.

Shell: Steel, Tin plated.

**ELECTRICAL SPECIFICATIONS:**

Rated current: 2A

Insulation resistance: 1000 Mohm min. at 500 VDC

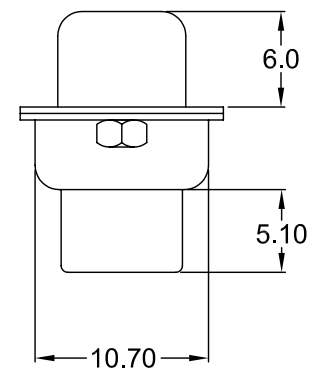
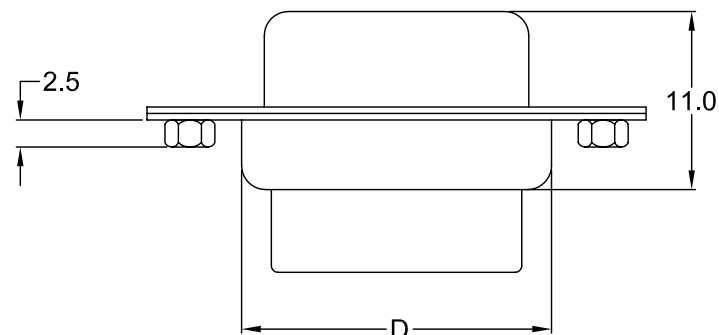
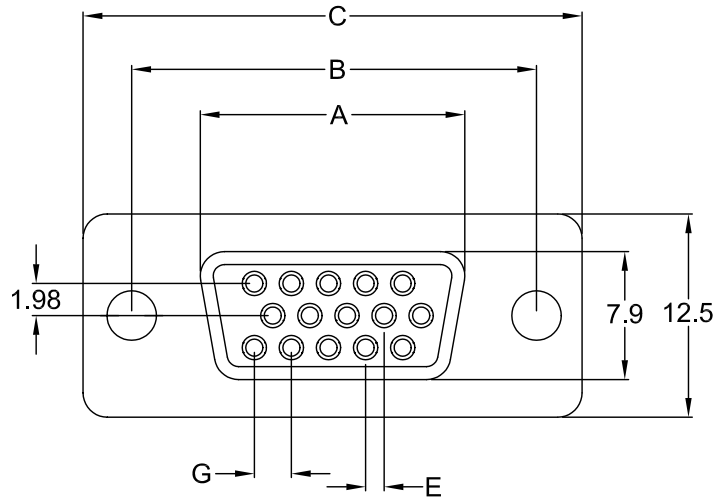
Dielectric withstanding voltage: 1000 VAC for one minute

Contact resistance: 15 mohm max.

Operating temperature: -55°C TO +105°C

NOTE: Replace first XX in part number with number of positions.

POSITION	A	B	C	D	E	G
15	16.3	25.0	30.8	19.2	1.14	2.29
26	24.6	33.3	39.1	27.7	1.14	2.29
44	38.3	47.1	53.0	41.1	1.14	2.29
62	54.8	63.5	69.3	57.3	1.2	2.41



-X: SEE ORDERING CODE FOR OPTIONS

REVISIONS
CHANGE
DATE
REV
CHNG
CHK
APPR

TOLERANCE UNLESS OTHERWISE SPECIFIED	
X	± 1
X.X	± 0.4
X.XX	± 0.20
DRAWN BY: DF	DATE: 2/10/06
CHECK BY:	DATE:
APPR BY:	DATE:

**Power Dynamics, Inc.**  
 Phone: 973 560-0019 Whippany, New Jersey Fax: 973 560-0076

PART: FEMALE CRIMP HOUSING D-SUB  
 HI-DENSITY, 2.5mm HEX RIVET

PART #: **PDI-XXRHS-C-X** SHEET 1 of 1

SIZE: A ALL DIMENSIONS FOR REFERENCE ONLY  
 SCALE: NTS DIMENSIONS ARE IN MILLIMETERS REV:

6

5

4

3

2

1

6

5

4

3

2

1

**MATERIAL AND FINISH**

Insulator: PBT & glass fiber reinforced, UL-94V-0 rated.

Shell: Steel, Tin plated.

**ELECTRICAL SPECIFICATIONS:**

Rated current: 2A

Insulation resistance: 1000 Mohm min. at 500 VDC

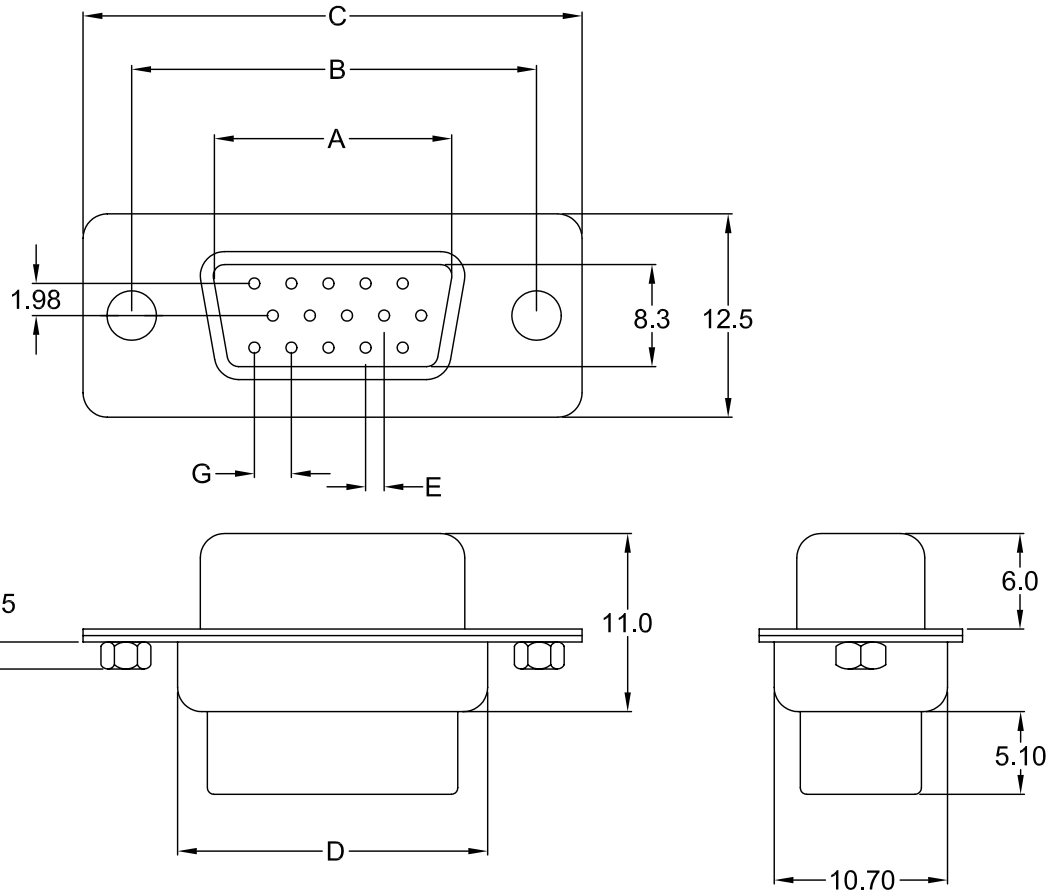
Dielectric withstanding voltage: 1000 VAC for one minute

Contact resistance: 15 mohm max.

Operating temperature: -55°C TO +105°C

NOTE: Replace first XX in part number with number of positions.

POSITION	A	B	C	D	E	G
15	16.9	25.0	30.8	19.2	1.14	2.29
26	25.2	33.3	39.1	27.7	1.14	2.29
44	38.9	47.1	53.0	41.1	1.14	2.29
62	55.4	63.5	69.3	57.3	1.2	2.41



-X: SEE ORDERING CODE FOR OPTIONS

REVISIONS	CHANGE	CHKG	CHKD	APPR
REV	DATE	BY	DATE	BY

TOLERANCE UNLESS OTHERWISE SPECIFIED	
X	± 1
X.X	± 0.4
X.XX	± 0.20
DRAWN BY	DF
CHECK BY	DATE: 2/10/06
APPR BY	DATE:

**Power Dynamics, Inc.**  
 Phone: 973 560-0019 Whippany, New Jersey Fax: 973 560-0076

PART: MALE CRIMP HOUSING D-SUB  
 HI-DENSITY, 2.5mm HEX RIVET

PART #: **PDI-XXSHS-C-X** SHEET 1 of 1

SIZE: A ALL DIMENSIONS FOR REFERENCE ONLY  
 SCALE: NTS DIMENSIONS ARE IN MILLIMETERS REV:

6

5

4

3

2

1