

**MATERIAL AND FINISH**

Insulator: Thermoplastic, color black or gray,  
UL-94V-0 rated  
Contacts: Ø0.35mm Phosphor Bronze, Gold plated  
(see chart) over Nickel in contact area Tin plated  
over Nickel in Solder area.

**MECHANICAL SPECIFICATIONS:**

Life cycle: 750 cycles min.

**ELECTRICAL SPECIFICATIONS:**

Rated current: 1.5 A  
Rated voltage: 125 VAC rms  
Contact resistance: 30 mohms max.  
Insulation resistance: 1000 Mohms min. at  
500 VDC  
Dielectric withstanding voltage: 1000 VAC rms  
60Hz for 1 minute

**ENVIRONMENTAL:**

Storage temperature: -40°C to +85°C  
Operating temperature: 0°C to 70°C

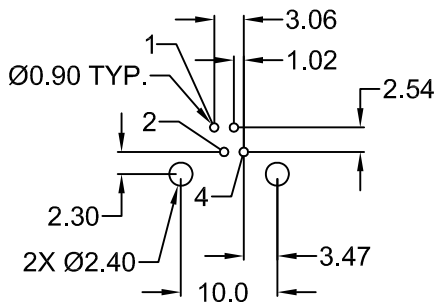
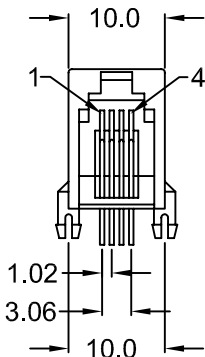
Mates with modular plug conforming to FCC part  
68, subpart F.

**ORDERING CODE:**

PJ-    P    C-1-05        
          1      2          3  4

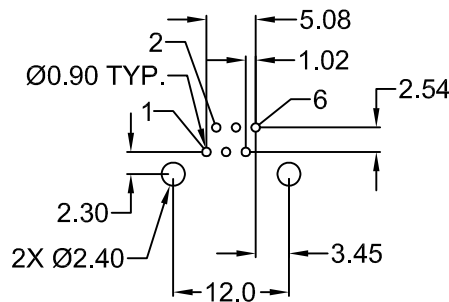
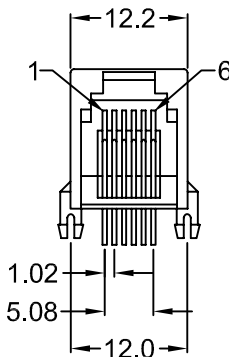
- 1) No. OF POSITIONS
- 2) No. OF CONTACTS
- 3) INSULATOR COLOR  
B = BLACK  
G = GRAY
- 4) GOLD PLATING

**PJ-4P4C-1-05XX**

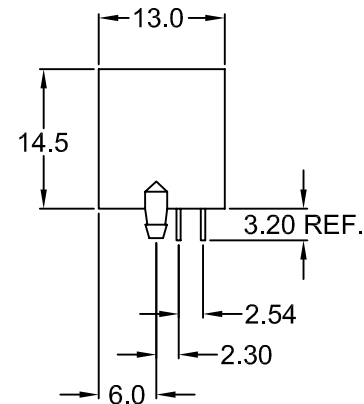


**RECOMMENDED  
PCB LAYOUT (TOP VIEW)**

**PJ-6P6C-1-05XX**



**RECOMMENDED  
PCB LAYOUT (TOP VIEW)**



**RoHS  
COMPLIANT**

REVISIONS

REV	DATE	CHANGE	CHNG	CHK	APPR
A	11/11/03	ADD PIN OUT	TD	PB	
B	6/5/06	UPDATED			

P/N	PLATING
PJ-XPXC-1-05X	6 µ" OF GOLD
PJ-XPXC-1-05X2	15 µ" OF GOLD
PJ-XPXC-1-05X4	30 µ" OF GOLD
PJ-XPXC-1-05X5	50 µ" OF GOLD

TOLERANCE UNLESS OTHERWISE SPECIFIED	
X	± 1
X.X	± 0.4
X.XX	± 0.20
DRAWN BY	GQ
DATE:	07/30/02
CHECK BY	TD
DATE:	07/31/02
APPR BY	PB
DATE:	07/31/02

**Power Dynamics, Inc.**

Phone: 973 560-0019 Whippany, New Jersey Fax: 973 560-0076

PART: TELEPHONE JACK; 4 AND 6 POSITION;  
SIDE ENTRY; PCB MOUNT

PART #: <b>PJ-XPXC-1-05XX</b>		SHEET 1 of 1
SIZE: A	ALL DIMENSIONS FOR REFERENCE ONLY DIMENSIONS ARE IN MILLIMETERS	REV: <b>B</b>
SCALE: NTS		

6 5 4 3 2 1

**MATERIAL AND FINISH**

Insulator: Glass filled Polyester, color black or gray, UL-94V-0 rated  
 Contacts: Ø0.46mm Phosphor Bronze  
 Gold plated (see chart) over Nickel

**MECHANICAL SPECIFICATIONS:**

Life cycle: 750 cycles min.

**ELECTRICAL SPECIFICATIONS:**

Rated current: 1.5 A  
 Rated voltage: 125 VAC rms  
 Contact resistance: 30 mohms max.  
 Insulation resistance: 1000 Mohms min. at 500 VDC  
 Dielectric withstanding voltage: 1000 VAC rms 60Hz for 1 minute

**ENVIRONMENTAL:**

Storage temperature: -40°C to +85°C  
 Operating temperature: 0°C to 70°C

Mates with modular plug conforming to FCC part 68, subpart F.

**ORDERING CODE:**

PJ-6P6C-      - 06F       
                   1          2 3

1) No. OF PORTS  
 2) INSULATOR COLOR  
    B = BLACK  
    G = GRAY  
 3) GOLD PLATING

Dimension	No. of Ports						
	2	3	4	5	6	7	8
A	23.1	34.1	45.1	56.1	67.1	N/A	89.1
B	23.1	34.1	45.1	56.1	67.1	N/A	89.1
C	11.00	22.00	33.00	44.00	55.00	N/A	77.00

**RECOMMENDED  
PCB LAYOUT (TOP VIEW)**

REVISIONS  
 CHANGE  
 APPR  
 DATE  
 REV

P/N	PLATING
PJ-6P6C-X-06FX	6 µ" OF GOLD
PJ-6P6C-X-06FX2	15 µ" OF GOLD
PJ-6P6C-X-06FX4	30 µ" OF GOLD
PJ-6P6C-X-06FX5	50 µ" OF GOLD

TOLERANCE  
 UNLESS OTHERWISE SPECIFIED  
 X ± 1  
 X.X ± 0.4  
 X.XX ± 0.20

DRAWN BY	GQ	DATE:	07/29/02
CHECK BY	TD	DATE:	08/15/02
APPR BY	PB	DATE:	08/15/02

**Power Dynamics, Inc.**  
 Phone: 973 560-0019 Whippany, New Jersey Fax: 973 560-0076

PART: 6 POSITION, 6 CONTACT; 2 - 8 PORTS  
 GANGED TEL. JACK; PCB MOUNT

**PJ-6P6C-X-06FXX**

SIZE: A  
 SCALE: NTS

ALL DIMENSIONS FOR REFERENCE ONLY  
 DIMENSIONS ARE IN MILLIMETERS

SHEET 1 of 1  
 REV:

6 5 4 3 2 1

6

5

4

3

2

1

MATERIAL AND FINISH

Insulator: Glass filled Polyester, color black or gray, UL-94V-0 rated  
Foot: 0.50mm Bronze Tin plated  
Contacts: Ø0.46mm Phosphor Bronze  
Gold plated (see chart) over Nickel

MECHANICAL SPECIFICATIONS:

Life cycle: 750 cycles min.

ELECTRICAL SPECIFICATIONS:

Rated current: 1.5 A  
Rated voltage: 125 VAC rms  
Contact resistance: 30 mohms max.  
Insulation resistance: 1000 Mohms min. at 500 VDC  
Dielectric withstanding voltage: 1000 VAC rms 60Hz for 1 minute

ENVIRONMENTAL:

Storage temperature: -40°C to +85°C  
Operating temperature: 0°C to 70°C

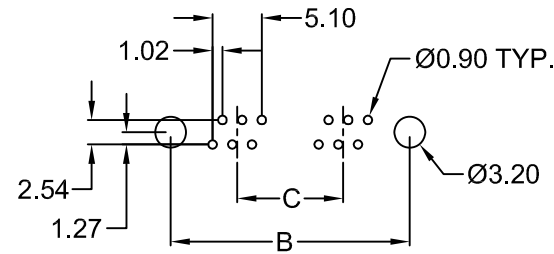
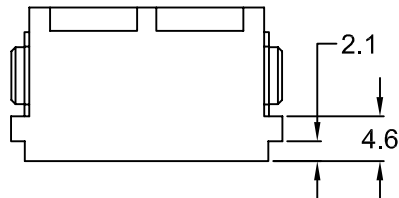
Mates with modular plug conforming to FCC part 68, subpart F.

ORDERING CODE:

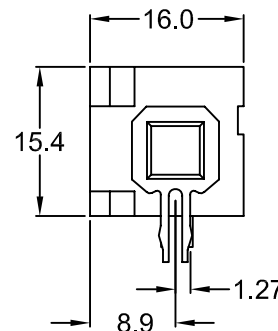
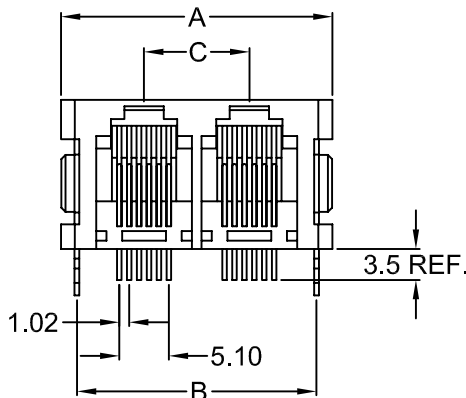
PJ-6P6C-      - 07       
                  1      2 3

- 1) No. OF PORTS
- 2) INSULATOR COLOR  
B = BLACK  
G = GRAY
- 3) GOLD PLATING

Dimension	No. of Ports						
	2	3	4	5	6	7	8
A	28.2	39.2	50.2	61.2	72.2	N/A	94.2
B	24.8	35.8	46.8	57.8	68.8	N/A	90.8
C	11.00	22.00	33.00	44.00	55.00	N/A	77.00



RECOMMENDED PCB LAYOUT (TOP VIEW)



REVISIONS	CHNG	CHK	APPR
	DATE	CHANGE	

TOLERANCE UNLESS OTHERWISE SPECIFIED			
X	± 1		
X.X	± 0.4		
X.XX	± 0.20		
DRAWN BY	GQ	DATE:	08/06/02
CHECK BY	TD	DATE:	08/13/02
APPR BY	PB	DATE:	08/13/02

P/N	PLATING
PJ-6P6C-X-07X	6 µ" OF GOLD
PJ-6P6C-X-07X2	15 µ" OF GOLD
PJ-6P6C-X-07X4	30 µ" OF GOLD
PJ-6P6C-X-07X5	50 µ" OF GOLD

**Power Dynamics, Inc.**

Phone: 973 560-0019 Whippany, New Jersey Fax: 973 560-0076

PART: R/A TELEPHONE JACK; 6 POSITION, 6 CONTACT; 2 - 8 PORTS; PCB MOUNT

PART #: <b>PJ-6P6C-X-07XX</b>		SHEET 1 of 1
SIZE: A	ALL DIMENSIONS FOR REFERENCE ONLY DIMENSIONS ARE IN MILLIMETERS	REV:
SCALE: NTS		

6

5

4

3

2

1

6

5

4

3

2

1

MATERIAL AND FINISH

Insulator: Glass filled Polyester, color black, UL-94V-0 rated  
Contacts: 0.35mm thick Phosphor Bronze, Gold plated (see chart) on mating area, 150µin Tin on solder tails all over 50µin Nickel

MECHANICAL SPECIFICATIONS:  
Life cycle: 750 cycles min.

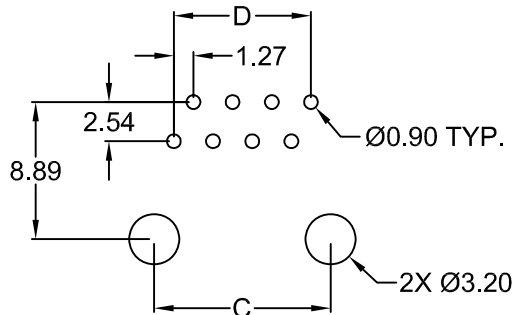
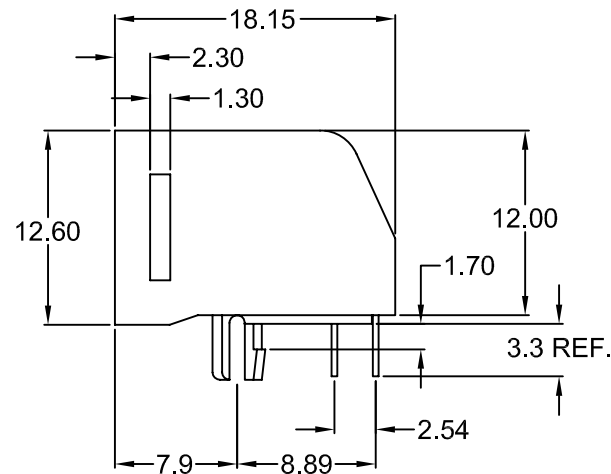
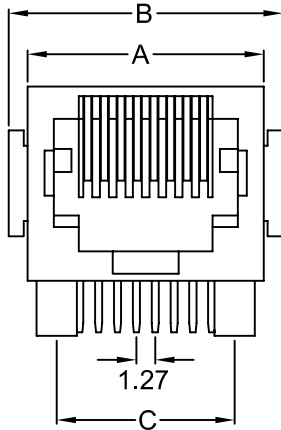
ELECTRICAL SPECIFICATIONS:  
Rated current: 1.5 A  
Rated voltage: 125 VAC rms  
Contact resistance: 35 mohms max.  
Insulation resistance: 1000 Mohms min. at 500 VDC  
Dielectric withstanding voltage: 1000 VAC rms 60Hz for 1 minute

ENVIRONMENTAL:  
Storage temperature: -40°C to +85°C  
Operating temperature: 0°C to 70°C

Mates with modular plug conforming to FCC part 68, subpart F.

ORDERING CODE:  
PJ-    P    C-1-02FB     
      1   2          3

- 1) No. OF POSITIONS
- 2) No. OF CONTACTS
- 3) GOLD PLATING



RECOMMENDED PCB LAYOUT (TOP VIEW)

REV	DATE	CHANGE	CHNG CHECK APPR	
			TD	PB
			GO	PB
A	8/16/01	REVD & UPDATED	TD	PB
B	08/12/02	REVISED / UPDATED	GO	PB
C	7/15/05	TAIL PLATING WAS TINLEAD		

P/N	PLATING
PJ-XPXC-1-02FB	6 µ" OF GOLD
PJ-XPXC-1-02FB2	15 µ" OF GOLD
PJ-XPXC-1-02FB4	30 µ" OF GOLD
PJ-XPXC-1-02FB5	50 µ" OF GOLD

TOLERANCE UNLESS OTHERWISE SPECIFIED	
X	± 1
X.X	± 0.4
X.XX	± 0.20
DRAWN BY	SS
DATE:	1/21/00
CHECK BY	PB
DATE:	1/31/00
APPR BY	JJ
DATE:	1/31/00

P/N	A	B	C	D
PJ-6P4C-1-02FBX	13.20	15.80	10.16	3.81
PJ-6P6C-1-02FBX	13.20	15.80	10.16	6.35
PJ-8P8C-1-02FBX	15.24	17.78	11.43	8.89

**Power Dynamics, Inc.**  
 Phone: 973 560-0019 Whippany, New Jersey Fax: 973 560-0076  
 PART: LOW PROFILE, SIDE ENTRY, PCB MOUNT MODULAR TELEPHONE JACK, W/ FLANGE  
**PJ-XPXC-1-02FBX**  
 PART #: **PJ-XPXC-1-02FBX** SHEET 1 of 1  
 SIZE: A ALL DIMENSIONS FOR REFERENCE ONLY DIMENSIONS ARE IN MILLIMETERS REV: C  
 SCALE: NTS

6

5

4

3

2

1

**MATERIAL AND FINISH:**

Insulator: Glass filled Polyester, color black,  
UL-94V-0 rated

Contacts: 0.35mm thick Phosphor Bronze,  
Gold plated (see chart) on mating  
area, 150µin min. Tin on solder tails  
all over 50µin Nickel

**MECHANICAL SPECIFICATIONS:**

Life cycle: 750 cycles min.

**ELECTRICAL SPECIFICATIONS:**

Rated current: 1.5 A min.

Rated voltage: 125 VAC rms

Contact resistance: 30 mohms max.

Insulation resistance: 500 Mohms min. at  
500 VDC

Dielectric withstanding voltage: 1000 VAC rms 60Hz  
for 1 minute

**ENVIRONMENTAL:**

Storage temperature: -40°C to +85°C

Operating temperature: 0°C to 70°C

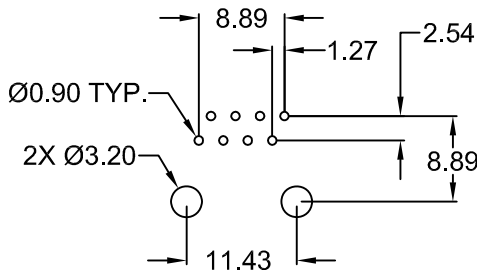
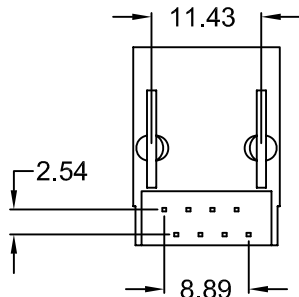
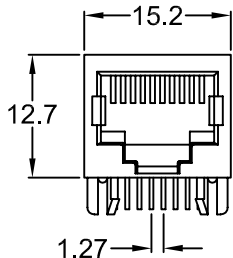
Mates with modular plug conforming to FCC part 68,  
subpart F.

**ORDERING CODE:**

PJ-    P    C-1-03B     
      1   2          3

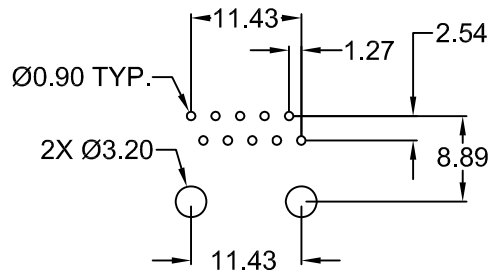
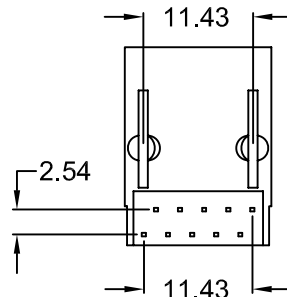
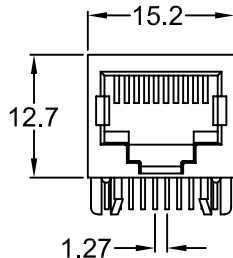
- 1) No. OF POSITIONS
- 2) No. OF CONTACTS
- 3) GOLD PLATING

**PJ-8P8C-1-03BX**

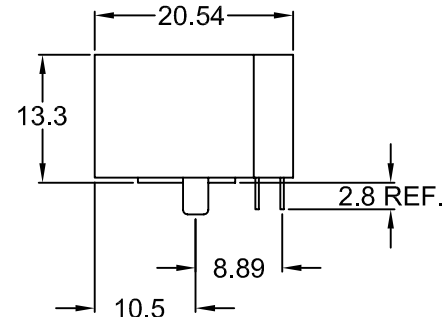


**RECOMMENDED  
PCB LAYOUT (TOP VIEW)**

**PJ-10P10C-1-03BX**



**RECOMMENDED  
PCB LAYOUT (TOP VIEW)**



REVISIONS	CHNG	CHK	APPR
	CHANGE		
	DATE	7/15/05	
	REV	A	

P/N	PLATING
PJ-XPXC-1-03B	6 µ" OF GOLD
PJ-XPXC-1-03B2	15 µ" OF GOLD
PJ-XPXC-1-03B4	30 µ" OF GOLD
PJ-XPXC-1-03B5	50 µ" OF GOLD

TOLERANCE UNLESS OTHERWISE SPECIFIED	
X	± 1
X.X	± 0.4
X.XX	± 0.20
DRAWN BY	GQ
DATE:	08/01/02
CHECK BY	TD
DATE:	08/01/02
APPR BY	PB
DATE:	08/02/02

**Power Dynamics, Inc.**

Phone: 973 560-0019 Whippany, New Jersey Fax: 973 560-0076

**PART: TELEPHONE JACK; 8 AND 10 POSITION;  
SIDE ENTRY; PCB MOUNT**

<b>PJ-XPXC-1-03BX</b>		<b>SHEET 1 of 1</b>
PART #:		
SIZE: A	ALL DIMENSIONS FOR REFERENCE ONLY DIMENSIONS ARE IN MILLIMETERS	
SCALE: NTS		REV: A

6

5

4

3

2

1

**MATERIAL AND FINISH**

Insulator: Glass filled Polyester, color black,  
UL-94V-0 rated

Contacts: Ø0.46mm Phosphor Bronze  
Gold plated (see chart) over Nickel

**ELECTRICAL:**

Rated current: 1.5 A

Rated voltage: 125 VAC rms

Contact resistance: 30 mohms max.

Insulation resistance: 1000 Mohms min. @ 500VDC

Dielectric withstanding voltage: 1000V rms 60Hz for  
1 minute

**MECHANICAL SPECIFICATIONS:**

Life cycle: 750 cycles min.

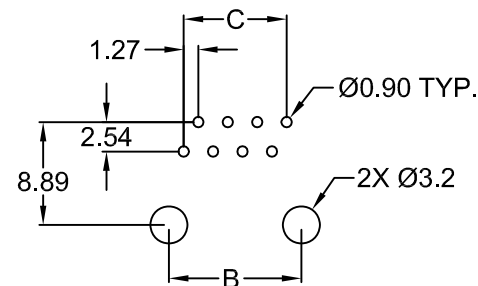
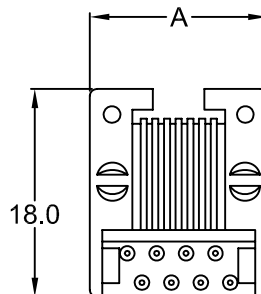
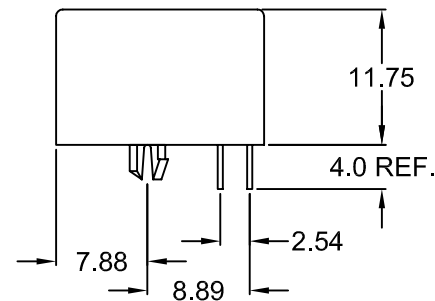
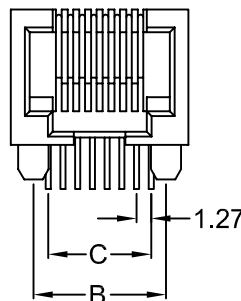
**ENVIRONMENTAL:**

Storage: -40°C to +85°C

Operating: 0°C to 70°C

**NOTE: REPLACE 1st X IN PART NUMBER WITH  
NUMBER OF POSITIONS & 2nd X WITH NUMBER  
OF CONTACTS.**

No. of Positions	Dimensions		
	A	B	C
4	11.2	7.62	3.81
6	13.2	10.16	6.35
8	15.2	11.43	8.89



**RECOMMENDED  
PCB LAYOUT (TOP VIEW)**

REV	DATE	CHANGE	CHNG CHECK APPR	
			GO	PB
A	07/26/02	REVISED / UPDATED	TD	PB

**REVISIONS**

P/N	PLATING
PJ-XPXC-1-04B	6 µ" OF GOLD
PJ-XPXC-1-04B2	15 µ" OF GOLD
PJ-XPXC-1-04B4	30 µ" OF GOLD
PJ-XPXC-1-04B5	50 µ" OF GOLD

TOLERANCE UNLESS OTHERWISE SPECIFIED	
X	± 1
X.X	± 0.4
X.XX	± 0.20

DRAWN BY	BP	DATE:	2/1/01
CHECK BY	TD	DATE:	2/2/01
APPR BY	SS	DATE:	2/2/01

**Power Dynamics, Inc.**

Phone: 973 560-0019 Whippany, New Jersey Fax: 973 560-0076

**PART: TELEPHONE JACK; RIGHT ANGLE  
PCB MOUNT; OPEN TOP**

<b>PJ-XPXC-1-04BX</b>		<b>SHEET 1 of 1</b>
PART #:		
SIZE: A	ALL DIMENSIONS FOR REFERENCE ONLY DIMENSIONS ARE IN MILLIMETERS	
SCALE: NTS		REV: A

6

5

4

3

2

1

6

5

4

3

2

1

**MATERIAL AND FINISH:**

Shield: 0.25mm thick Brass, Tin plated.  
Insulator: PBT, UL 94V-0 rated, color black.  
Pin contact: 0.35 mm thick Phosphor bronze, selective gold plating (see chart) over Nickel in contact area, tin plating over Nickel in solder area.

**MECHANICAL SPECIFICATIONS:**

Life cycle: 750 cycles min.

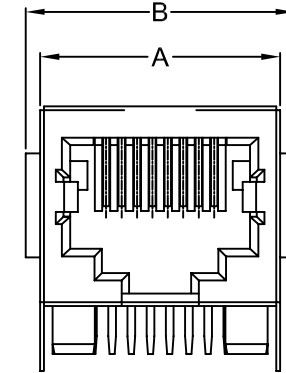
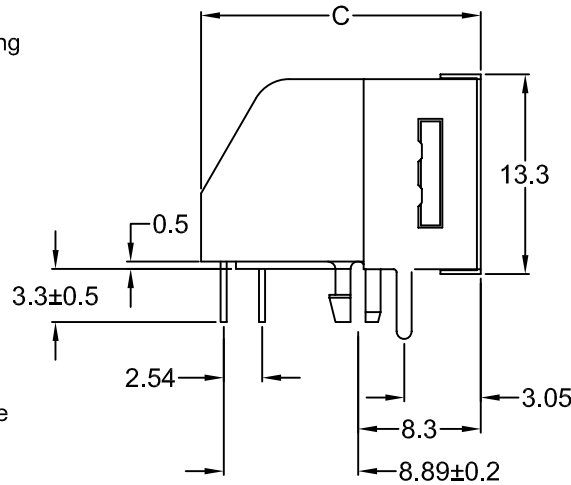
**ELECTRICAL SPECIFICATIONS:**

Rated current: 1.5 A  
Rated voltage: 125 VAC rms  
Contact resistance: 35 mohms max.  
Insulation resistance: 1000 Mohms min. at 500 VDC  
Dielectric withstanding voltage: 1000 VAC rms 60Hz for 1 minute

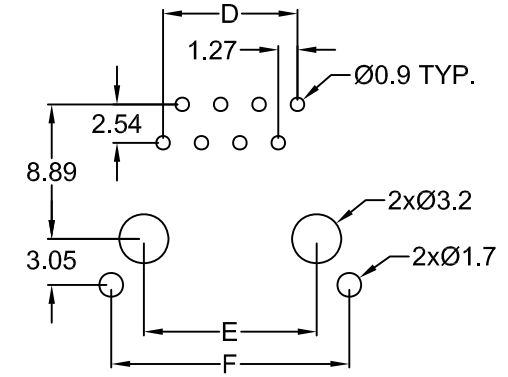
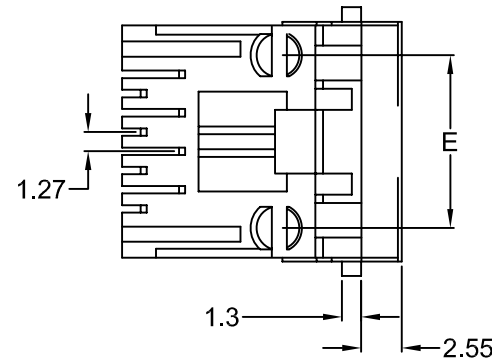
**ENVIRONMENTAL:**

Storage temperature: -40°C to +85°C  
Operating temperature: 0°C to 70°C

Mates with modular plug conforming to FCC part 68, subpart F.



PCB LAYOUT/TOP VIEW



**ORDERING CODE:**

PJ- 1 P 2 C-1S-02FB 3

- 1) No. OF POSITIONS
- 2) No. OF CONTACTS
- 3) GOLD PLATING

P/N	A	B	C	D	E	F
PJ-6P4C-1S-02FBX	13.8	15.8	18.4	3.81	10.16	13.55
PJ-6P6C-1S-02FBX	13.8	15.8	18.4	6.35	10.16	13.55
PJ-8P8C-1S-02FBX	15.8	17.8	18.7	8.89	11.43	15.50

P/N	PLATING
PJ-XPXC-1S-02FB	6 μ" OF GOLD
PJ-XPXC-1S-02FB2	15 μ" OF GOLD
PJ-XPXC-1S-02FB4	30 μ" OF GOLD
PJ-XPXC-1S-02FB5	50 μ" OF GOLD

TOLERANCE UNLESS OTHERWISE SPECIFIED	
X	± 1
X.X	± 0.4
X.XX	± 0.20

DRAWN BY	TD	DATE:	05/20/99
CHECK BY	PJ	DATE:	05/21/99
APPR BY	SS	DATE:	05/21/99

**Power Dynamics, Inc.**  
Phone: 973 560-0019 Whippany, New Jersey Fax: 973 560-0076

PART: SHIELDED LOW PROFILE, SIDE ENTRY, PCB MOUNT, MOD. TELEPHONE JACK

PART #: **PJ-XPXC-1S-02FBX** SHEET 1 of 1  
SIZE: A ALL DIMENSIONS FOR REFERENCE ONLY DIMENSIONS ARE IN MILLIMETERS  
SCALE: NTS REV:

REV	DATE	CHANGE	CHK	CHK	APPR

6

5

4

3

2

1

**MATERIAL AND FINISH:**

Insulator: Glass filled Polyester, color black,  
UL-94V-0 rated

Shield: 0.25mm thick Brass, Tin plated

Contacts: 0.35mm thick Phosphor Bronze,  
Gold plated (see chart) on mating  
area, 150µin Tin on solder  
tails all over 50µin Nickel

**MECHANICAL SPECIFICATIONS:**

Life cycle: 750 cycles min.

**ELECTRICAL SPECIFICATIONS:**

Rated current: 1.5 A

Rated voltage: 125 VAC rms

Contact resistance: 40 mohms max.

Insulation resistance: 1000 Mohms min. at  
500 VDC

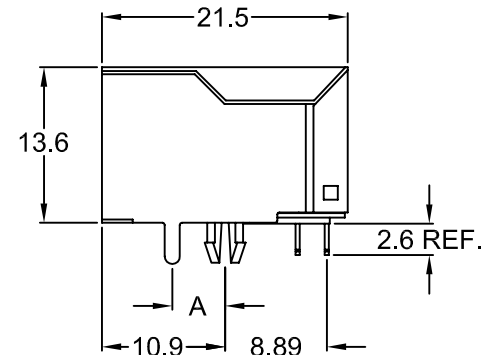
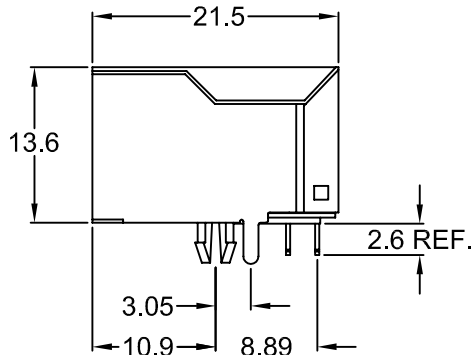
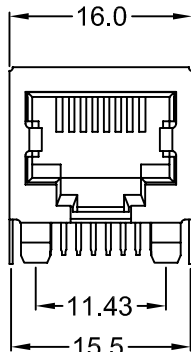
Dielectric withstanding voltage: 1000 VAC rms 60Hz  
for 1 minute

**ENVIRONMENTAL:**

Storage temperature: -40°C to +85°C

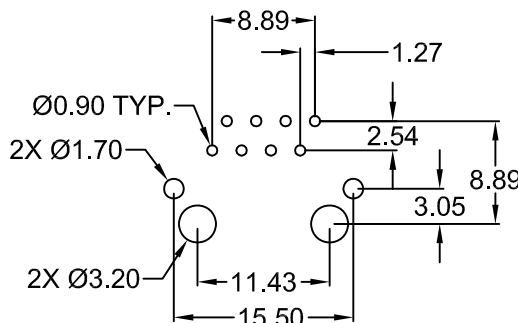
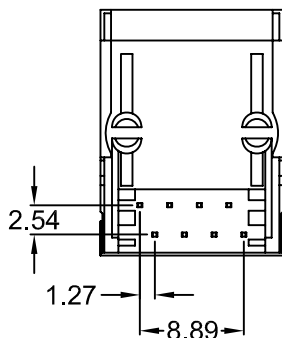
Operating temperature: 0°C to 70°C

Mates with modular plug conforming to FCC part 68,  
subpart F.

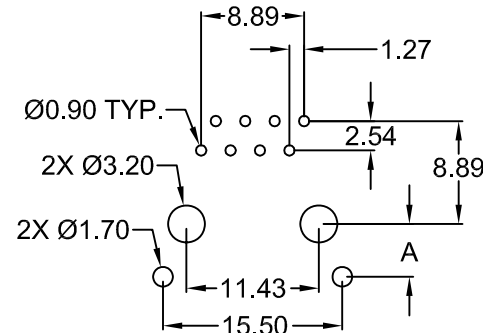


PJ-8P8C-1S-0304BX

PJ-8P8C-1S-0302BX (A = 4.57)  
PJ-8P8C-1S-0303BX (A = 3.68)



RECOMMENDED  
PCB LAYOUT (TOP VIEW)



RECOMMENDED  
PCB LAYOUT (TOP VIEW)

REVISIONS	CHNG	CHK	APPR		
	DATE	CHANGE	REV'D & UP'D	REVISED / UPDATED	
	REV	DATE	3/26/02	08/02/02	
	A	B			

P/N	PLATING
PJ-8P8C-1S-03XXB	6 µ" OF GOLD
PJ-8P8C-1S-03XXB2	15 µ" OF GOLD
PJ-8P8C-1S-03XXB4	30 µ" OF GOLD
PJ-8P8C-1S-03XXB5	50 µ" OF GOLD

TOLERANCE UNLESS OTHERWISE SPECIFIED	
X	± 1
X.X	± 0.4
X.XX	± 0.20
DRAWN BY	DT
DATE:	02/29/00
CHECK BY	JJ
DATE:	3/2/00
APPR BY	SS
DATE:	3/2/00

**Power Dynamics, Inc.**  
Phone: 973 560-0019 Whippany, New Jersey Fax: 973 560-0076

PART: 8 POSITION 8 CONTACT; SHIELDED  
TELEPHONE JACK, PCB MOUNT

**PJ-8P8C-1S-03XXBX** SHEET 1 of 1

SCALE: NTS ALL DIMENSIONS FOR REFERENCE ONLY  
DIMENSIONS ARE IN MILLIMETERS REV: B



**MATERIAL AND FINISH**

Insulator: PBT, color black,  
UL-94V-0 rated  
Shield: 0.25mm thick Brass, Nickel plated  
Contacts: 0.35mm thick Phosphor Bronze,  
Gold plated (see chart) over Nickel

**MECHANICAL SPECIFICATIONS:**

Life cycle: 750 cycles min.  
Solder temperature: 235°C max.  
Solder time: 5 seconds max.

**ELECTRICAL SPECIFICATIONS:**

Rated current: 1.5 A  
Rated voltage: 125 VAC rms  
Contact resistance: 50 mohms max.  
Insulation resistance: 1000 Mohms min. at  
500 VDC  
Dielectric withstanding voltage: 1000 VAC rms  
60Hz for 1 minute

**ENVIRONMENTAL:**

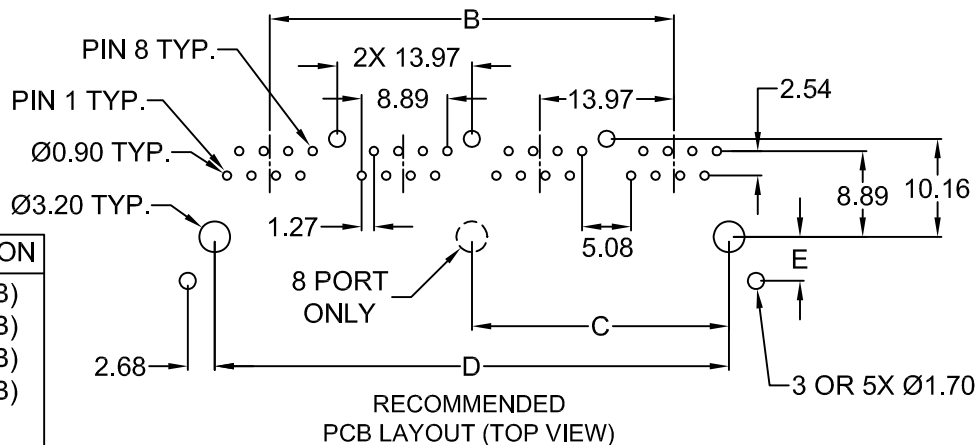
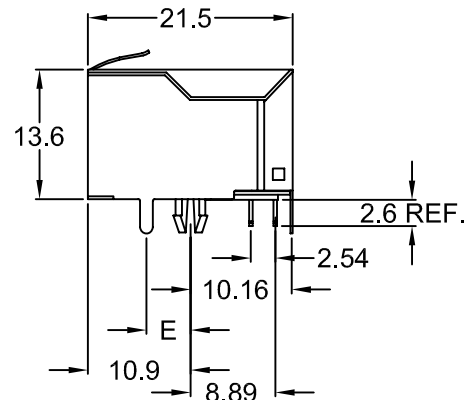
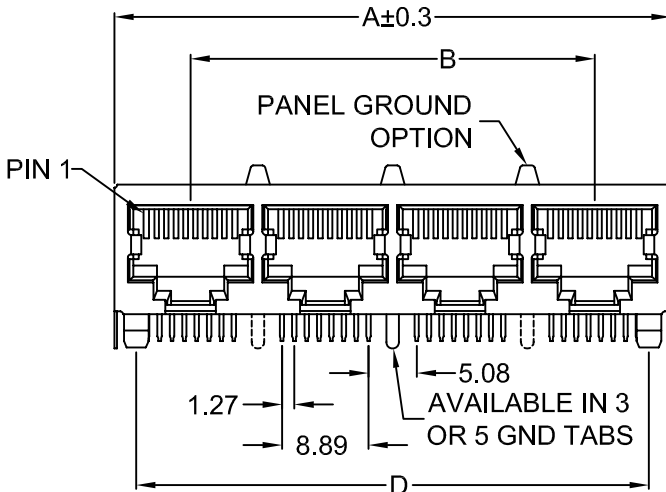
Storage temperature: -40°C to +85°C  
Operating temperature: 0°C to 70°C

Mates with modular plug conforming to FCC part  
68, subpart F.

**NOTES:**

1. REPLACE 1st X IN P/N WITH NUMBER OF PORTS.

No. of Ports	Dimensions			
	A	B	C	D
2	31.2	13.97	---	25.40
4	59.2	41.91	---	53.34
6	87.1	69.85	---	81.28
8	114.7	97.79	54.61	109.22



**RoHS  
COMPLIANT**

P/N	GROUND TAB OPTION
PJ-8P8C-XS-0320BX	(E = 4.57 3 GND TAB)
PJ-8P8C-XS-0321BX	(E = 4.57 5 GND TAB)
PJ-8P8C-XS-0322BX	(E = 3.68 3 GND TAB)
PJ-8P8C-XS-0323BX	(E = 3.68 5 GND TAB)
WITH PANEL GROUND OPTION	
PJ-8P8C-XS-0330BX	(E = 4.57 3 GND TAB)
PJ-8P8C-XS-0331BX	(E = 4.57 5 GND TAB)
PJ-8P8C-XS-0332BX	(E = 3.68 3 GND TAB)
PJ-8P8C-XS-0333BX	(E = 3.68 5 GND TAB)
P/N	PLATING
PJ-8P8C-XS-03XXB	6 µ" OF GOLD
PJ-8P8C-XS-03XXB2	15 µ" OF GOLD
PJ-8P8C-XS-03XXB4	30 µ" OF GOLD
PJ-8P8C-XS-03XXB5	50 µ" OF GOLD

TOLERANCE  
UNLESS OTHERWISE SPECIFIED  
X ± 1  
X.X ± 0.4  
X.XX ± 0.20

DRAWN BY	GQ	DATE:	08/05/02
CHECK BY	TD	DATE:	08/05/02
APPR BY	PB	DATE:	08/05/02

**Power Dynamics, Inc.**

Phone: 973 560-0019 Whippany, New Jersey Fax: 973 560-0076

PART: TELEPHONE JACK; 8P8C; SHIELDED 2-8  
PORTS SIDE ENTRY; PCB MOUNT

PART #:	<b>PJ-8P8C-XS-03XXBX</b>		SHEET	1 of 1
SIZE:	A	ALL DIMENSIONS FOR REFERENCE ONLY DIMENSIONS ARE IN MILLIMETERS		REV:
SCALE:	NTS			C

D

C

B

A

D

C

B

A