

Compact PLC Splitter



Applications

- Video signals distribution in optical CATV.
- Usable for PON(Passive Optical Network).
- Signal distribution using optical AMP.

Product Type : PS202 Series

Description

PS202 is the compact size 1xN optical splitter. The size is same as a reinforce tube used at fusion splicing point and suitable for setting in splice box. This product is best choice for constructing Passive Optical Networks.

Features

- Low Insertion Loss.
- Compact packaging size. Suitable for installation in a splicing closure.
- High reliability.(Telcordia GR-1209, GR-1221 Qualified)

Optical characteristics

Parameters		1x8	1x16
Operating Wavelength		1260 ~ 1360nm / 1480 ~ 1580 nm	
Standard			
Insertion Loss (dB) *1)	Max.	11.0	14.5
Uniformity (dB)	Max.	1.0	1.5
Premium			
Insertion Loss (dB) *1)	Max.	10.4	13.8
Uniformity (dB)	Max.	0.8	1.3
Common specification			
PDL (dB)	Max.	0.3	
Return Loss (dB) *2)	Min.	50	
Directivity (dB) *2)	Min.	50	

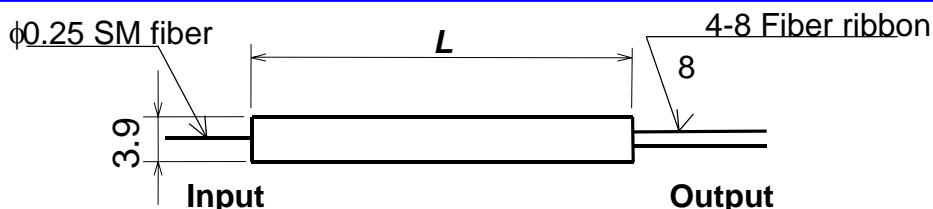
*1) Include PDL, WDL and TDL(without connectors).

*2) Without connectors.

Environmental conditions

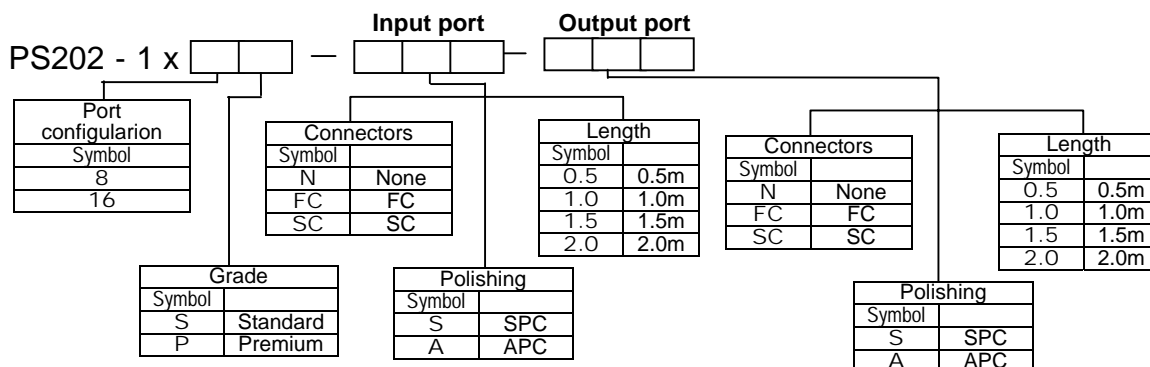
Parameter	Unit	Min.	Max.
Operating temperature	°C	-40	+75
Storage temperature	°C	-40	+85

Outline Drawing



L (mm)	1x8	1x16
	41.5	50.0

Ordering information



Furukawa Electric reserves the right to improve, enhance and modify the features and specifications of FITELE products without prior notifications.

THE FURUKAWA ELECTRIC CO., LTD.

Japan

Head Office

2-2-3, Marunouchi
 Chiyoda-ku
 Tokyo 100-8322, JAPAN
 Tel: +81-3-3286-3133
 Fax: +81-3-3286-3708
<http://www.furukawa.co.jp>
 Email:comsales@ho.furukawa.co.jp

North America

Furukawa America Inc.

200 Westpark Drive, Suite 190
 Peachtree City, GA 30269
 Tel: 770-487-1234
 Toll-Free: 1-866-GO-FITELE(463-4835)
 Fax: 770-487-9910
<http://www.furukawaamerica.com>
 oesales@FurukawaAmerica.com

Europe

Furukawa Electric Europe Ltd.

3rd Floor, Newcombe House
 43-45 Notting Hill Gate
 London W11 3FE, UK
 Tel: +44-20-7221-6000
 Fax: +44-20-7313-5310
<http://www.furukawa-fitel.co.uk>
 E-mail:sales@furukawa-fitel.co.uk