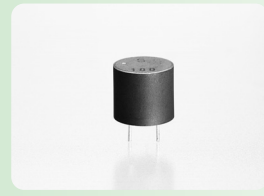


# SBPSC Coils

## 11R310·12R817 Series

〈Magnetically Shielded Type〉  
[RoHS Compliant]



●SBPSC-11R310 Series

Model	Inductance ( $\mu\text{H}$ ) (100kHz, 1mA)	DC resistance ( $\Omega$ ) max.	Rated Current (A)
SBPSC-11R310-100A	10 $\pm 20\%$	36m	3.80
SBPSC-11R310-120A	12 $\pm 20\%$	48m	3.40
SBPSC-11R310-150A	15 $\pm 20\%$	51m	3.30
SBPSC-11R310-220A	22 $\pm 20\%$	87m	2.85
SBPSC-11R310-270A	27 $\pm 20\%$	106m	2.40
SBPSC-11R310-330A	33 $\pm 20\%$	132m	2.10
SBPSC-11R310-390A	39 $\pm 20\%$	141m	2.05
SBPSC-11R310-470A	47 $\pm 20\%$	181m	1.80
SBPSC-11R310-560A	56 $\pm 20\%$	200m	1.75
SBPSC-11R310-680A	68 $\pm 20\%$	221m	1.65
SBPSC-11R310-820A	82 $\pm 20\%$	251m	1.55
SBPSC-11R310-101A	100 $\pm 15\%$	272m	1.45
SBPSC-11R310-121A	120 $\pm 15\%$	299m	1.40
SBPSC-11R310-151A	150 $\pm 15\%$	390m	1.15
SBPSC-11R310-221A	220 $\pm 15\%$	736m	0.94
SBPSC-11R310-271A	270 $\pm 15\%$	839m	0.88
SBPSC-11R310-331A	330 $\pm 15\%$	936m	0.84
SBPSC-11R310-391A	390 $\pm 15\%$	1.20	0.74
SBPSC-11R310-471A	470 $\pm 15\%$	1.40	0.70
SBPSC-11R310-681A	680 $\pm 15\%$	2.00	0.48
SBPSC-11R310-821A	820 $\pm 15\%$	2.30	0.46
SBPSC-11R310-102A	1000 $\pm 15\%$	2.60	0.43

Package: Bulk · 1,600pcs/box

●SBPSC-12R817 Series

Model	Inductance ( $\mu\text{H}$ ) (100kHz, 1mA)	DC resistance ( $\Omega$ ) max.	Rated Current (A)
SBPSC-12R817-100A	10 $\pm 20\%$	29m	4.70
SBPSC-12R817-120A	12 $\pm 20\%$	32m	4.40
SBPSC-12R817-150A	15 $\pm 20\%$	35m	4.20
SBPSC-12R817-220A	22 $\pm 20\%$	43m	3.90
SBPSC-12R817-270A	27 $\pm 20\%$	48m	3.60
SBPSC-12R817-330A	33 $\pm 20\%$	52m	3.50
SBPSC-12R817-390A	39 $\pm 20\%$	58m	3.30
SBPSC-12R817-470A	47 $\pm 20\%$	61m	3.20
SBPSC-12R817-560A	56 $\pm 20\%$	66m	3.10
SBPSC-12R817-680A	68 $\pm 20\%$	75m	2.90
SBPSC-12R817-820A	82 $\pm 20\%$	96m	2.50
SBPSC-12R817-101A	100 $\pm 15\%$	0.14	2.40
SBPSC-12R817-121A	120 $\pm 15\%$	0.18	2.20
SBPSC-12R817-151A	150 $\pm 15\%$	0.26	1.65
SBPSC-12R817-221A	220 $\pm 15\%$	0.40	1.40
SBPSC-12R817-271A	270 $\pm 15\%$	0.47	1.30
SBPSC-12R817-331A	330 $\pm 15\%$	0.53	1.20
SBPSC-12R817-391A	390 $\pm 15\%$	0.57	1.15
SBPSC-12R817-471A	470 $\pm 15\%$	0.62	1.10
SBPSC-12R817-561A	560 $\pm 15\%$	0.70	1.00
SBPSC-12R817-681A	680 $\pm 15\%$	0.84	0.90
SBPSC-12R817-821A	820 $\pm 15\%$	0.94	0.80
SBPSC-12R817-102A	1000 $\pm 15\%$	1.10	0.70

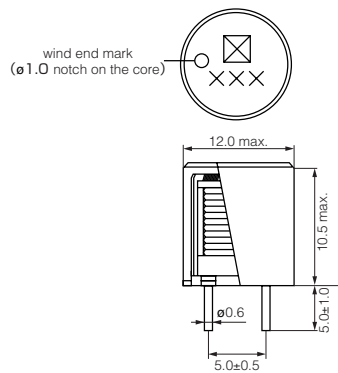
Package: Bulk · 800pcs/box

\*The rated current is the lower value of the following two: the DC current value when the inductance decreases 10% from the initial value, or the DC current value when the coil's temperature has rose  $\Delta T=40^\circ\text{C}$

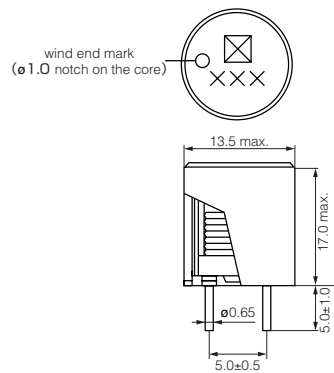
●Operating temperature range:  $-20$  to  $+105^\circ\text{C}$  (Incl. coil heat)

### Shape and Dimensions

●SBPSC-11R310 Series



●SBPSC-12R817 Series



[mm]



- All specifications in this catalog and production status of products are subject to change without notice. Prior to the purchase, please contact NEC TOKIN for updated product data.
- Please request for a specification sheet for detailed product data prior to the purchase.
- Before using the product in this catalog, please read "Precautions" and other safety precautions listed in the printed version catalog.