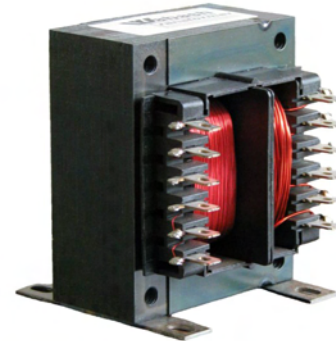


## International Power Transformer

### Series: VDE - Quick-Connect Terminals

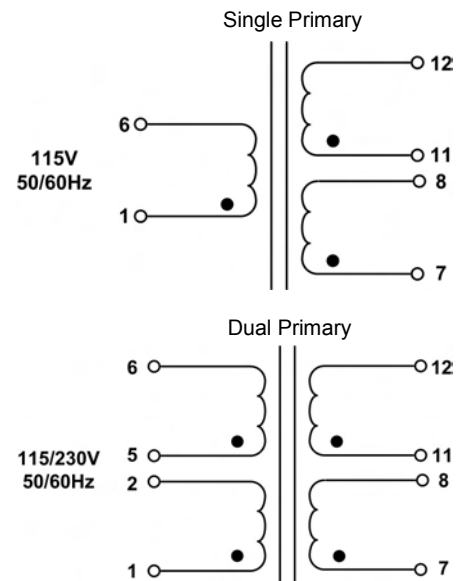
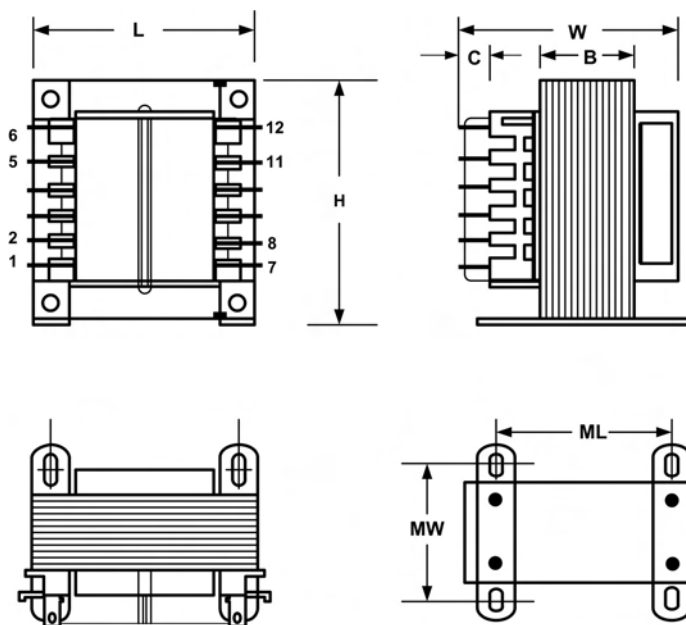
- Power Rating 80VA to 175VA
- Single or Dual Primary, 115V, 230V or 115/230V
- Frequency 50/60Hz
- Series or Parallel Secondary
- Dielectric Strength – 4000 Vrms
- Insulation Class F (155°C)
- Flammability Rating – Bobbin/Shroud UL94V0 or 94H-B

Transformer meets international safety standards by providing high isolation, creepage, clearance, and increased flammability ratings. Chassis Mounting style.



### Agency Approvals:

- UL/cUL 5085-2 Recognized (File E47299)
- VDE Licensed (File 40001595)
- Insulation File No. E95662



• Indicates Like Polarity

Primaries and Secondaries are designed to be used simultaneously. That is, they must be used either series or parallel connected (as one winding). Same applies to secondaries also.

VA Rating	Dimensions (Inches)					Terminals	Mtg. Dimension		Mtg. Screw	Weight lbs
	L	W	H	B	C		ML	MW		
80	2.5	2.52	3.00	1.25	0.31	0.187	2.00	2.50	#6	2.80
100	2.81	3.00	3.37	1.50	0.37	0.250	2.25	2.50	#8	4.10
130	2.81	3.00	3.37	1.50	0.37	0.250	2.25	2.50	#8	4.10
150	3.12	3.14	3.83	1.50	0.37	0.250	2.50	2.50	#8	5.50
175	3.12	3.14	3.83	1.50	0.37	0.250	2.50	2.50	#8	5.50

Any application, Any requirement, Contact us for our Custom Designs

### Series: VDE - Quick-Connect Terminals

#### Partial Selection Guide

All models are VDE approved

VA	Part Number			Secondary	
	115/230V	115V	230V	Series	Parallel
80	VDE-80T-10	VDE1-80T-10	VDE2-80T-10	10VCT @ 8.00A	5V @ 16.00A
	VDE-80T-126	VDE1-80T-126	VDE2-80T-126	12.6VCT @ 6.34A	6.3V @ 12.69A
	VDE-80T-16	VDE1-80T-16	VDE2-80T-16	16VCT @ 5.00A	8V @ 10.00A
	VDE-80T-18	VDE1-80T-18	VDE2-80T-18	18VCT @ 4.44A	9V @ 8.88A
	VDE-80T-20	VDE1-80T-20	VDE2-80T-20	20VCT @ 4.00A	10V @ 8.00A
	VDE-80T-24	VDE1-80T-24	VDE2-80T-24	24VCT @ 3.33A	12V @ 6.66A
	VDE-80T-28	VDE1-80T-28	VDE2-80T-28	28VCT @ 2.85A	14V @ 5.70A
	VDE-80T-36	VDE1-80T-36	VDE2-80T-36	36VCT @ 2.22A	18V @ 4.44A
	VDE-80T-230	VDE1-80T-230	VDE2-80T-230	230VCT @ 347mA	115V @ 695mA
100	VDE-100T-10	VDE1-100T-10	VDE2-100T-10	10VCT @ 10.0A	5V @ 20.00A
	VDE-100T-126	VDE1-100T-126	VDE2-100T-126	12.6VCT @ 7.93A	6.3V @ 15.8A
	VDE-100T-16	VDE1-100T-16	VDE2-100T-16	16VCT @ 6.25A	8V @ 12.50A
	VDE-100T-18	VDE1-100T-18	VDE2-100T-18	18VCT @ 5.55A	9V @ 11.11A
	VDE-100T-20	VDE1-100T-20	VDE2-100T-20	20VCT @ 5.00A	10V @ 10.00A
	VDE-100T-24	VDE1-100T-24	VDE2-100T-24	24VCT @ 4.16A	12V @ 8.33A
	VDE-100T-28	VDE1-100T-28	VDE2-100T-28	28VCT @ 3.57A	14V @ 7.14A
	VDE-100T-36	VDE1-100T-36	VDE2-100T-36	36VCT @ 2.77A	18V @ 5.55A
	VDE-100T-230	VDE1-100T-230	VDE2-100T-230	230VCT @ 434mA	115V @ 869mA
130	VDE-130T-10	VDE1-130T-10	VDE2-130T-10	10VCT @ 13.0A	5V @ 26.0A
	VDE-130T-126	VDE1-130T-126	VDE2-130T-126	12.6VCT @ 10.31A	6.3V @ 20.62A
	VDE-130T-16	VDE1-130T-16	VDE2-130T-16	16VCT @ 8.125A	8V @ 16.25A
	VDE-130T-18	VDE1-130T-18	VDE2-130T-18	18VCT @ 7.22A	9V @ 14.44A
	VDE-130T-20	VDE1-130T-20	VDE2-130T-20	20VCT @ 6.50A	10V @ 13.00A
	VDE-130T-24	VDE1-130T-24	VDE2-130T-24	24VCT @ 5.41A	12V @ 10.83A
	VDE-130T-28	VDE1-130T-28	VDE2-130T-28	28VCT @ 4.64A	14V @ 9.28A
	VDE-130T-36	VDE1-130T-36	VDE2-130T-36	36VCT @ 3.61A	18V @ 7.22A
	VDE-130T-230	VDE1-130T-230	VDE2-130T-230	230VCT @ 565mA	115V @ 1.13 A
150	VDE-150T-10	VDE1-150T-10	VDE2-150T-10	10VCT @ 15.0A	5V @ 30.00A
	VDE-150T-126	VDE1-150T-126	VDE2-150T-126	12.6VCT @ 11.90A	6.3V @ 23.80A
	VDE-150T-16	VDE1-150T-16	VDE2-150T-16	16VCT @ 9.375A	8V @ 18.75A
	VDE-150T-18	VDE1-150T-18	VDE2-150T-18	18VCT @ 8.33A	9V @ 16.66A
	VDE-150T-20	VDE1-150T-20	VDE2-150T-20	20VCT @ 7.50A	10V @ 15.00A
	VDE-150T-24	VDE1-150T-24	VDE2-150T-24	24VCT @ 6.25A	12V @ 12.50A
	VDE-150T-28	VDE1-150T-28	VDE2-150T-28	28VCT @ 5.35A	14V @ 10.71A
	VDE-150T-36	VDE1-150T-36	VDE2-150T-36	36VCT @ 4.16A	18V @ 8.33A
	VDE-150T-230	VDE1-150T-230	VDE2-150T-230	230VCT @ 652mA	115V @ 1.30A
175	VDE-175T-10	VDE1-175T-10	VDE2-175T-10	10VCT @ 17.50A	5V @ 35.00A
	VDE-175T-126	VDE1-175T-126	VDE2-175T-126	12.6VCT @ 13.88A	6.3V @ 27.77A
	VDE-175T-16	VDE1-175T-16	VDE2-175T-16	16VCT @ 10.93A	8V @ 21.87A
	VDE-175T-18	VDE1-175T-18	VDE2-175T-18	18VCT @ 9.72A	9V @ 19.44A
	VDE-175T-20	VDE1-175T-20	VDE2-175T-20	20VCT @ 8.75A	10V @ 17.50A
	VDE-175T-24	VDE1-175T-24	VDE2-175T-24	24VCT @ 7.29A	12V @ 14.58A
	VDE-175T-28	VDE1-175T-28	VDE2-175T-28	28VCT @ 6.25A	14V @ 12.50A
	VDE-175T-36	VDE1-175T-36	VDE2-175T-36	36VCT @ 4.86A	18V @ 9.72A
	VDE-175T-230	VDE1-175T-230	VDE2-175T-230	230VCT @ 760mA	115V @ 1.52A

**Any application, Any requirement, Contact us for our Custom Designs**