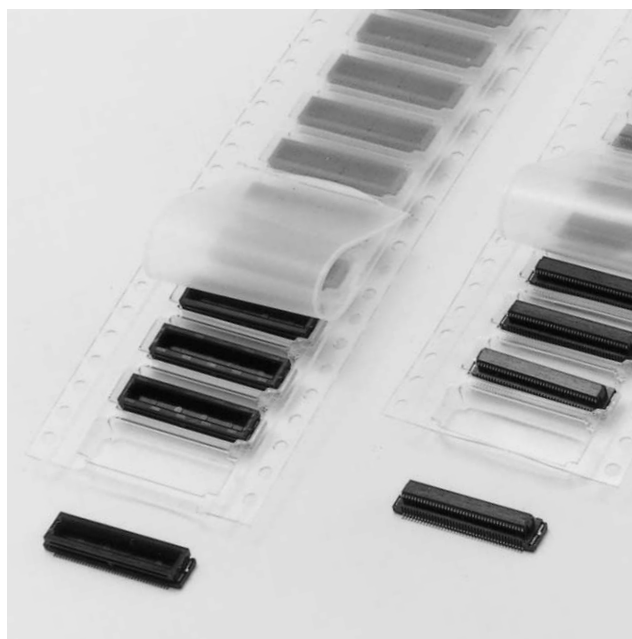


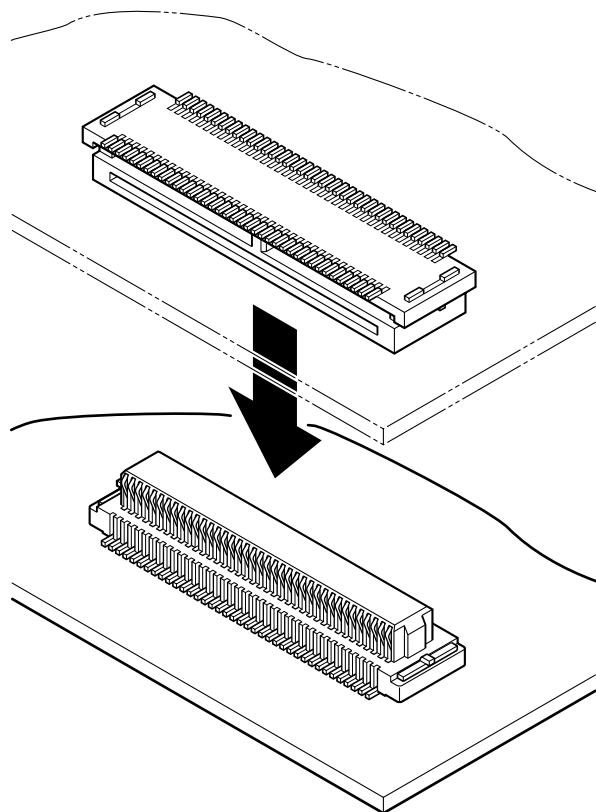
JAS CONNECTOR

Board-to-board connectors



Features

- The plug housing is constructed of two separate parts. This allows the connector to be put under greater torsion strain than similar connectors without any damage being done to the solder joints.
- Both plug and receptacle have the double I type solder tabs, which reduces the stress by the distorted mating/unmating applied to the solder tails.

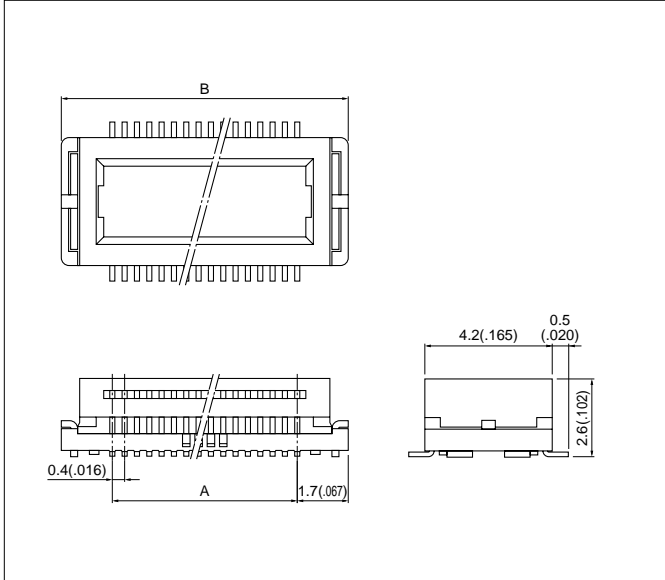


Specifications

- Current rating: 0.3A AC,DC
- Voltage rating: 30V AC,DC
- Temperature range: -25°C to +85°C
(including temperature rise in applying electrical current)
- Contact resistance: Initial value/70m Ω max.
After environmental testing/140m Ω max.
- Insulation resistance: 50M Ω min.
- Withstanding voltage: 100V AC/minute
- * Contact JST if Lead-Free product is required.
- * Refer to "General Instruction and Notice when using Terminals and Connectors" at the end of this catalog.
- * Contact JST for details.

JAS CONNECTOR

Plug



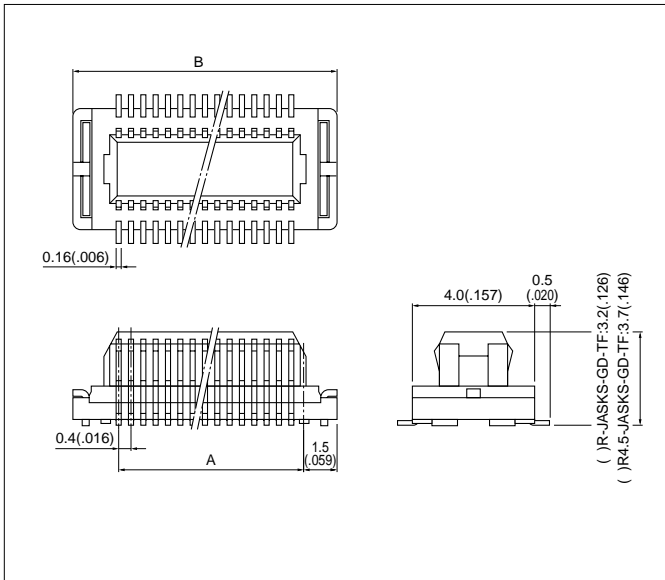
Circuits	Model No.	Dimensions mm(in.)		Q'ty / reel
		A	B	
80	80P-JASKS-GD-TF	15.6(.614)	19.0(.748)	2,500
100	100P-JASKS-GD-TF	19.6(.772)	23.0(.906)	2,500
120	120P-JASKS-GD-TF	23.6(.929)	27.0(1.063)	1,500

Material and Finish

Contact: Phosphor bronze, nickel-undercoated, selective gold-plated
Housing: PPS, UL94V-0
Solder tab: Brass, copper-undercoated, tin/lead-plated

Note: The products listed above are supplied on embossed-tape.

Receptacle



Circuits	Model No.		Dimensions mm(in.)		Q'ty / reel
	Stacking height		A	B	
	4.0mm(.157)	4.5mm(.177)			
80	80R-JASKS-GD-TF	—	15.6(.614)	18.6(.732)	2,500
100	100R-JASKS-GD-TF	100R4.5-JASKS-GD-TF	19.6(.772)	22.6(.890)	2,500
120	—	120R4.5-JASKS-GD-TF	23.6(.929)	26.6(1.047)	1,500

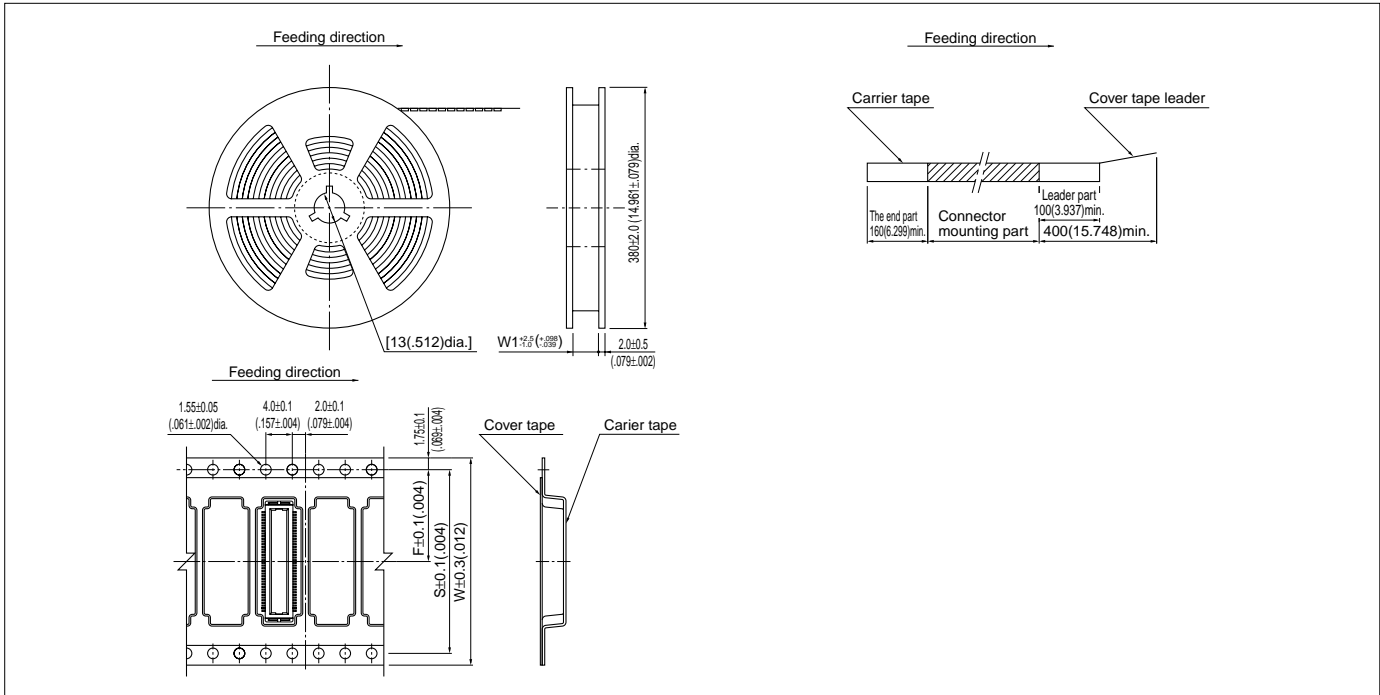
Material and Finish

Contact: Phosphor bronze, nickel-undercoated, selective gold-plated
Housing: LCP, UL94V-0
Solder tab: Brass, copper-undercoated, tin/lead-plated

Note: The products listed above are supplied on embossed-tape.

JAS CONNECTOR

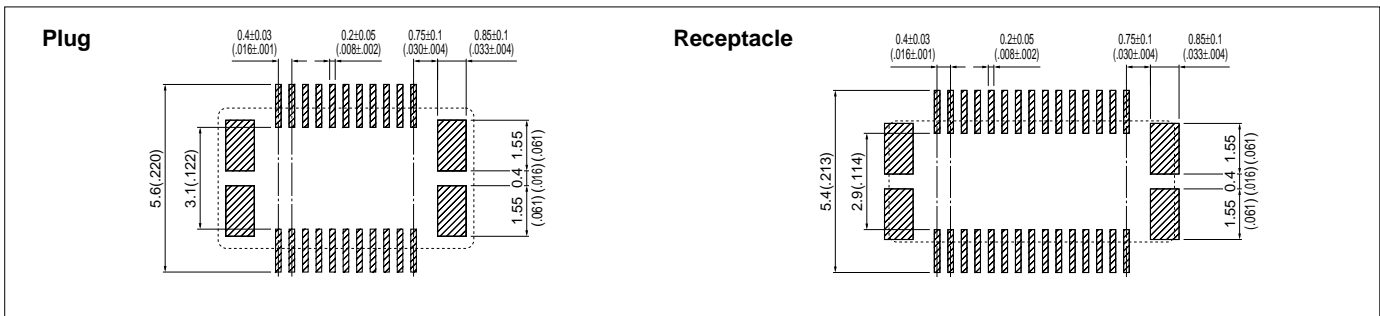
Taping specifications



Circuits	Dimensions mm(in.)				Q'ty / reel
	F	S	W	W1	
80	14.2(.559)	28.4(1.118)	32.0(1.260)	33.5(1.319)	2,500
100	20.2(.795)	40.4(1.591)	44.0(1.732)	45.5(1.791)	2,500
120	20.2(.795)	40.4(1.591)	44.0(1.732)	45.5(1.791)	1,500

Note: 1. Specifications conform to JIS C0806. The tape width, connector loading recess square hole dimensions, etc. are determined by the number of circuits and external shape of the connector to be loaded.
2. Specifications are subject to change without prior notice.

PC board layout (viewed from component side)



Note:
1. Tolerances are non-cumulative: ±0.05mm (±.002") for all centers.
2. The dimensions above should serve as a guideline. Contact JST for details.

Assembly layout

