







Surface Mount Chip LED Lamps Multi DOMILED

PLCC

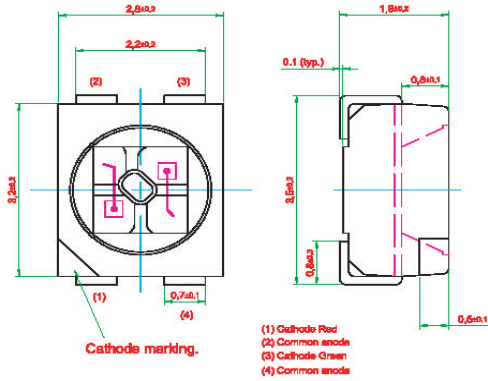
Package	Part No.	Chips		Lens Appearance	Chip #1 Iv (mcd)		Chip #2 Iv (mcd)		Chip #3 Iv (mcd)		At If (mA)	Viewing Angle 2θ 1/2 (deg)	Drawing No.
		Emitted Color	λ d (nm)		Min.	Max.	Min.	Max.	Min.	Max.			
 Standard Dual Color DOMILED	BL-PMHG-GJS-C10	Hyper Red/ Green	645/ 570	Water Clear	11.2	18.0	7.2	18.0	N/A	20	120	P-03	
	BL-PMHG-GJS-C20				11.2	18.0	11.2	18.0					
	BL-PMHG-GJS-C30				18.0	28.5	7.2	18.0					
	BL-PMHG-GJS-C40				18.0	28.5	11.2	18.0					
	BL-PMRG-GJS-C10	Red/ Green	625/ 570		11.2	18.0	7.2	18.0					
	BL-PMRG-GJS-C20				11.2	18.0	11.2	18.0					
	BL-PMRG-GJS-C30				18.0	28.5	7.2	18.0					
	BL-PMRG-GJS-C40				18.0	28.5	11.2	18.0					
 Ultra Bright Dual Color DOMILED	BL-PMRG-SJS-C10	Red/ Green	625/ 570	71.5	112.5	71.5	112.5						
	BL-PMRG-SJS-C20			71.5	112.5	112.5	180.0						
	BL-PMRG-SJS-C30			112.5	180.0	71.5	112.5						
	BL-PMRG-SJS-C40			112.5	180.0	112.5	180.0						
	BL-PMSG-CJS-C10	Super Red/ Green	632/ 570	45.0	71.5	45.0	71.5						
	BL-PMSG-CJS-C20			45.0	71.5	71.5	112.5						
	BL-PMSG-CJS-C30			71.5	112.5	45.0	71.5						
	BL-PMSG-CJS-C40			71.5	112.5	71.5	112.5						
 Standard Tri Color DOMILED	BL-PMHGB-GJB-C10	Hyper Red/ Green/ Blue	645/ 570/ 465	7.2	11.2	7.2	11.2	7.2	11.2				
	BL-PMHGB-GJB-C20			7.2	11.2	7.2	11.2	11.2	18.0				
	BL-PMHGB-GJB-C30			7.2	11.2	11.2	18.0	7.2	11.2				
	BL-PMHGB-GJB-C40			7.2	11.2	11.2	18.0	11.2	18.0				
	BL-PMHGB-GJB-C50			11.2	18.0	7.2	11.2	7.2	11.2				
	BL-PMHGB-GJB-C60			11.2	18.0	7.2	11.2	11.2	18.0				
	BL-PMHGB-GJB-C70			11.2	18.0	11.2	18.0	7.2	11.2				
	BL-PMHGB-GJB-C80			11.2	18.0	11.2	18.0	11.2	18.0				
 Ultra Bright Tri Color DOMILED	BL-PMRTB-SJB-C10	Red/ True Green/ Blue	625/ 525/ 470	112.5	180.0	180.0	285.0	45.0	71.5				
	BL-PMRTB-SJB-C20			112.5	180.0	180.0	285.0	71.5	112.5				
	BL-PMRTB-SJB-C30			112.5	180.0	285.0	450.0	45.0	71.5				
	BL-PMRTB-SJB-C40			112.5	180.0	285.0	450.0	71.5	112.5				
	BL-PMRTB-CJB-C10	Red/ True Green/ Blue	625/ 525/ 470	112.5	180.0	112.5	180.0	28.5	45.0				
	BL-PMRTB-CJB-C20			112.5	180.0	112.5	180.0	45.0	71.5				
	BL-PMRTB-CJB-C30			112.5	180.0	180.0	285.0	28.5	45.0				
	BL-PMRTB-CJB-C40			112.5	180.0	180.0	285.0	45.0	71.5				
	BL-PMRTB-RJB-C10	Red/ True Green/ Blue	625/ 525/ 470	112.5	180.0	180.0	285.0	28.5	45.0				
	BL-PMRTB-RJB-C20			112.5	180.0	180.0	285.0	45.0	71.5				
	BL-PMRTB-RJB-C30			112.5	180.0	285.0	450.0	28.5	45.0				
	BL-PMRTB-RJB-C40			112.5	180.0	285.0	450.0	45.0	71.5				
	BL-PMRTB-UJB-C10	Red/ True Green/ Blue	625/ 525/ 470	112.5	180.0	285.0	450.0	71.5	112.5				
	BL-PMRTB-UJB-C20			112.5	180.0	285.0	450.0	112.5	180.0				
	BL-PMRTB-UJB-C30			112.5	180.0	450.0	715.0	71.5	112.5				
	BL-PMRTB-UJB-C40			112.5	180.0	450.0	715.0	112.5	180.0				

Remark: 2θ 1/2 : The off-axis angle at which the luminous intensity is half the axial luminous intensity.

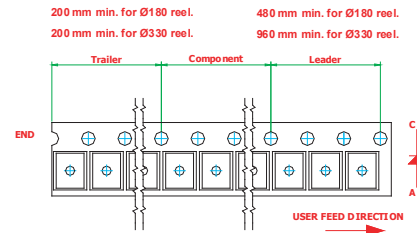
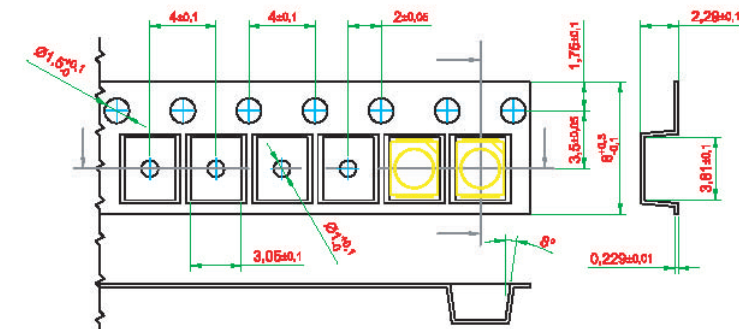
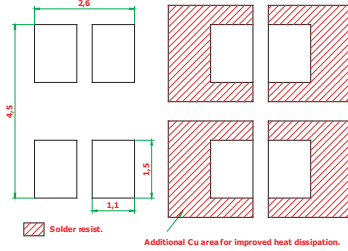


P-03

BL-PM Series - Dual Color



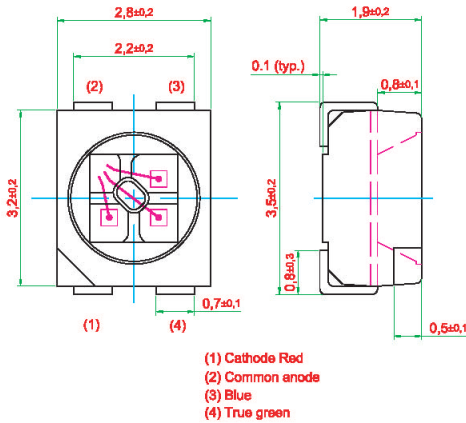
Recommended Solder Pad



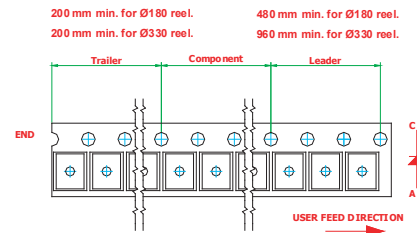
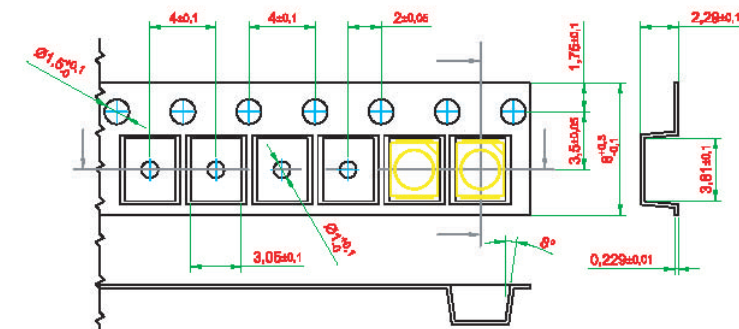
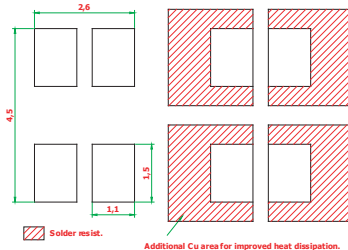
Package: Reels come in quantity of 8000 units or 2000 units. Reel diameters are 330 mm and 180 mm respectively.

P-04

BL-PM Series - Tri Color



Recommended Solder Pad



Package: Reels come in quantity of 8000 units or 2000 units. Reel diameters are 330 mm and 180 mm respectively.

Remark: All dimensions are in millimeters.