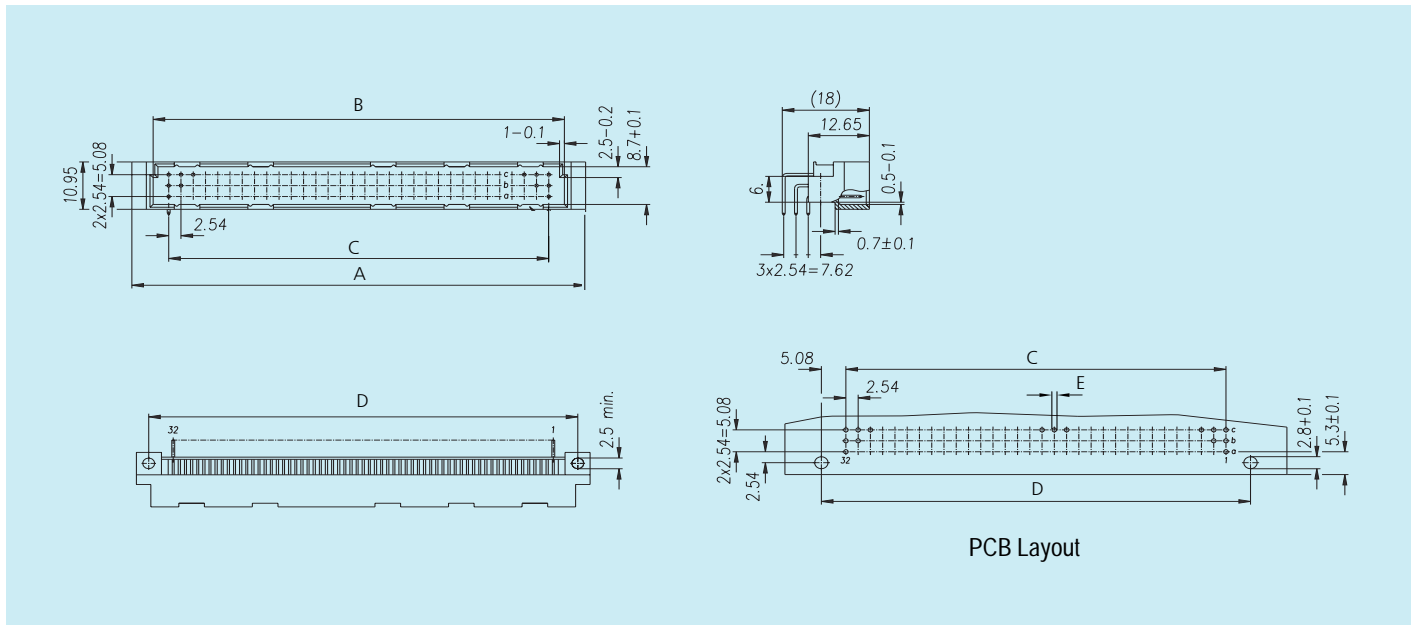


Male Connectors



Termination	Terminal	Plating Class	Shell Style	Contact Loading Pattern	Dimensions					Ordering Code
					A	B	C	D	E	
	Pressfit	DIN 2	C1 (3 x 32)	96 way fully loaded	94,0 max	85,2 +0,2	78,74	88,9 ±0,1	1,0 +0,09 -0,06	CDR7C1M96RP1M-DIN2
			C1 (3 x 32)	64 way rows a & c	94,0 max	85,2 +0,2	78,74	88,9 ±0,1	1,0 +0,09 -0,06	CDR7C1M64RP1M-004-DIN2
			C2 (3 x 16)	48 way fully loaded	54,0 max	44,5 +0,2	38,1	48,26 ±0,1	1,0 +0,09 -0,06	CDR7C2M48RP1M-DIN2
			C2 (3 x 16)	32 way rows a & c	54,0 max	44,5 +0,2	38,1	48,26 ±0,1	1,0 +0,09 -0,06	CDR7C2M32RP1M-004-DIN2
			C3 (3 x 10)	30 way fully loaded	39,0 max	29,3 +0,2	22,86	33,02 ±0,1	1,0 +0,09 -0,06	CDR7C3M30RP1M-DIN2
			C1 (3 x 32)	96 way fully loaded	94,0 max	85,2 +0,2	78,74	88,9 ±0,1	1,0 ±0,1	CDR7C1M96RS2M-DIN2
			C1 (3 x 32)	64 way rows a & c	94,0 max	85,2 +0,2	78,74	88,9 ±0,1	1,0 ±0,1	CDR7C1M64RS2M-004-DIN2
			C2 (3 x 16)	48 way fully loaded	54,0 max	44,5 +0,2	38,1	48,26 ±0,1	1,0 ±0,1	CDR7C2M48RS2M-DIN2
			C2 (3 x 16)	32 way rows a & c	54,0 max	44,5 +0,2	38,1	48,26 ±0,1	1,0 ±0,1	CDR7C2M32RS2M-004-DIN2
			C3 (3 x 10)	30 way fully loaded	39,0 max	29,3 +0,2	22,86	33,02 ±0,1	1,0 ±0,1	CDR7C3M30RS2M-DIN2

Pressfit insertion die required.
 shell style C1: 884250
 shell style C2: 884251
 shell style C3: 884252

For class 1 or class 3 contact plating and for alternative loading patterns please consult Cannon Sales Department.