

CRYSTAL UNITS

SURFACE MOUNT TYPE CRYSTAL UNITS / NX6035SA (CP22G)

This is a small leadless surface mount type crystal unit.

■ Features

- Compact and thin (6.0×3.5×1.0 mm).
- It is developed as a PLL reference oscillation source for cellular phones, pagers and the like
- Excellent vibration resistance and shock resistance.
- Highly reliable ceramic package is used so that superior heat-resistance and environmental characteristics are realized.
- It is applicable to IR Reflow.
- Taping package is for customer automatic loading operation.
- Display of temperature characteristics is possible using a two-dimensional data code.*1



■ Specification

Item	Type	NX6035SA (CP22G)	
Frequency Range		12.6 MHz ~ 26 MHz	
Overtone		Fundamental	
Frequency Tolerance (25±3°C)		± 10 × 10 ⁻⁶	± 10 × 10 ⁻⁶
Temperature Characteristics (in reference to +25°C)		± 10 × 10 ⁻⁶	± 15 × 10 ⁻⁶
Operating Temperature Range		-20 ~ +75°C	-30 ~ +80°C
Equivalent Series Resistance		50 Ω max	
Drive Level		10 μW (100 μW max)	
Standard Load Capacitance		12pF	
Operable Temperature Range		-40 ~ +85°C	

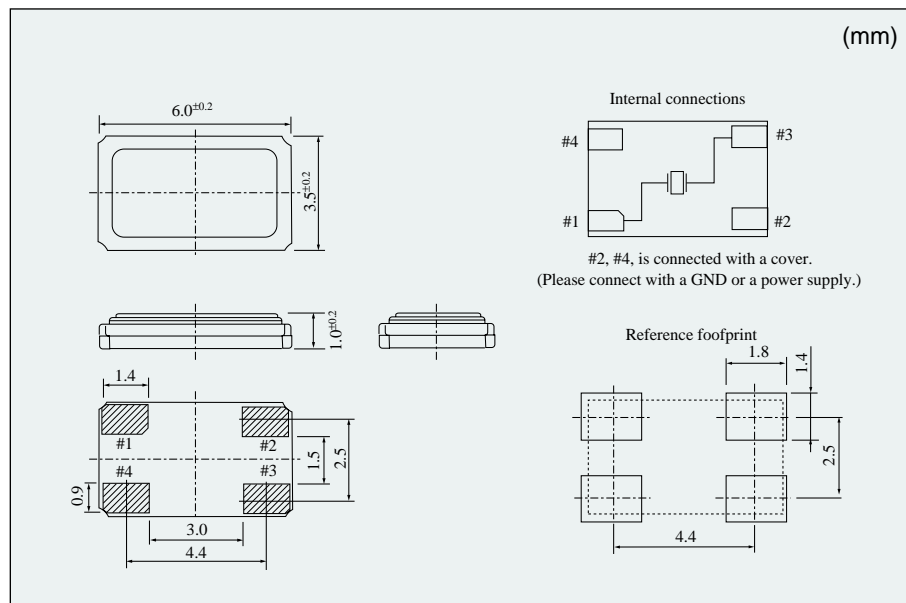
If you need NON-standard specification, please contact us.

[Type name] In () is previous name.

Standard Frequency (MHz)

10.368	13.0	14.4	15.360	16.800	19.68	26.0
12.6	13.56	14.85	16.000	19.2	19.8	
12.8	13.824	15.000	16.368	19.44	20.6575	

■ Dimensions



*1 Two dimensional data code

