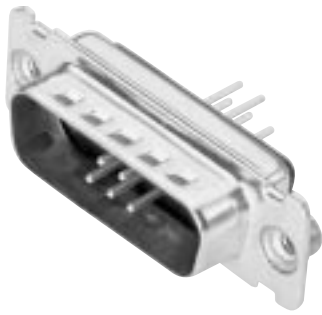


Pin



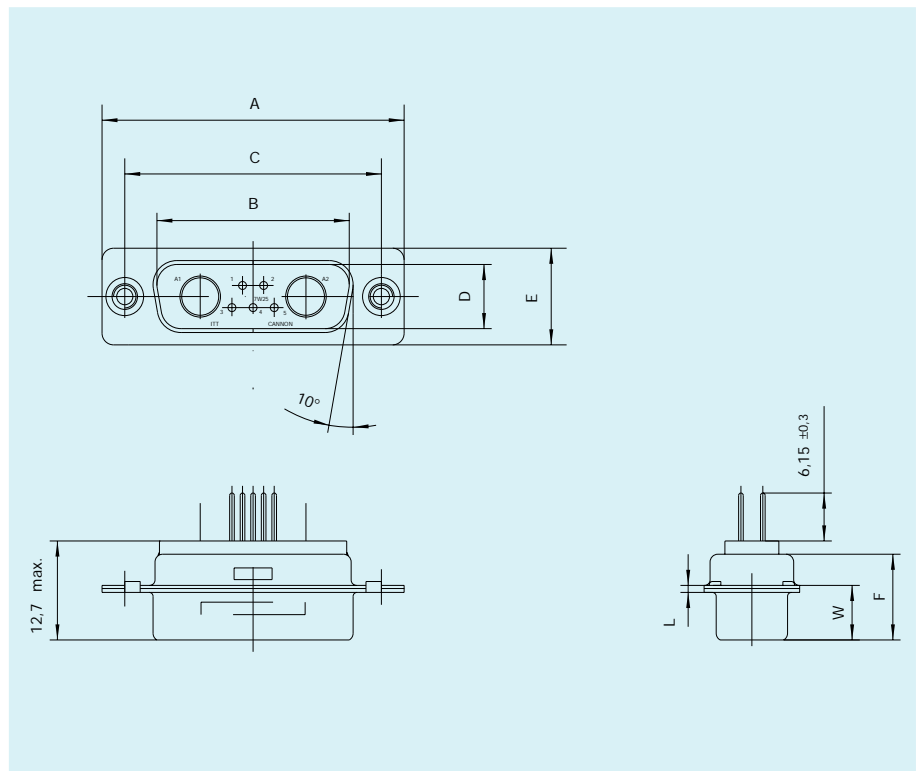
- For contact cavity arrangements, see page 52.
- For pcb hole pattern, see page 60 – 63.
- For mounting methods, see page 86 – 87.
- For panel cut-outs, see our D Subminiature catalogue.

Straight European solder pins, sizes DE – DC, with empty size 8 cavities

Shell size	Layout	P/N with through hole 3,05 mm	P/N with M3 clinch nut	P/N with M3 standoff post and pushfit	P/N with M3 standoff with pushfit
DE	5W1	DEM-5W1P-OL4-A191-K87	DEM-5W1P-OL4-A191-K87	DEMU-5W1P-OL4-A191-K87	DEMQ-5W1P-OL4-A191-K87
DA	7W2	DAM-7W2P-OL4-A191-K87	DAM-7W2P-OL4-A191-K87	DAMU-7W2P-OL4-A191-K87	DAMQ-7W2P-OL4-A191-K87
DA	11W1	DAM-11W1P-OL4-A191-K87	DAMX-11W1P-OL4-A191-K87	DAMU-11W1P-OL4-A191-K87	DAMQ-11W1P-OL4-A191-K87
DA	3W3	DAM-3W3P-K87	DAMX-3W3P-K87	DAMU-3W3P-K87	DAMQ-3W3P-K87
DA	3WK3	DAM-3WK3P-K87	DAMX-3WK3P-K87	DAMU-3WK3P-K87	DAMQ-3WK3P-K87
DB	5W5	DBM-5W5P-K87	DBMX-5W5P-K87	DBMU-5W5P-K87	DBMQ-5W5P-K87
DB	9W4	DBM-9W4P-OL4-A191-K87	DBMX-9W4P-OL4-A191-K87	DBMU-9W4P-OL4-A191-K87	DBMQ-9W4P-OL4-A191-K87
DB	13W3	DBM-13W3P-OL4-A191-K87	DBMX-13W3P-OL4-A191-K87	DBMU-13W3P-OL4-A191-K87	DBMQ-13W3P-OL4-A191-K87
DB	17W2	DBM-17W2P-OL4-A191-K87	DBMX-17W2P-OL4-A191-K87	DBMU-17W2P-OL4-A191-K87	DBMQ-17W2P-OL4-A191-K87
DB	21W1	DBM-21W1P-OL4-A191-K87	DBMX-21W1P-OL4-A191-K87	DBMU-21W1P-OL4-A191-K87	DBMQ-21W1P-OL4-A191-K87
DC	8W8	DCM-8W8P-K87	DCMX-8W8P-K87	DCMU-8W8P-K87	DCMQ-8W8P-K87
DC	13W6	DCM-13W6P-OL4-A191-K87	DCMX-13W6P-OL4-A191-K87	DCMU-13W6P-OL4-A191-K87	DCMQ-13W6P-OL4-A191-K87
DC	17W5	DCM-17W5P-OL4-A191-K87	DCMX-17W5P-OL4-A191-K87	DCMU-17W5P-OL4-A191-K87	DCMQ-17W5P-OL4-A191-K87
DC	21WA4	DCM-21WA4P-OL4-A191-K87	DCMX-21WA4P-OL4-A191-K87	DCMU-21WA4P-OL4-A191-K87	DCMQ-21WA4P-OL4-A191-K87
DC	25W3	DCM-25W3P-OL4-A191-K87	DCMX-25W3P-OL4-A191-K87	DCMU-25W3P-OL4-A191-K87	DCMQ-25W3P-OL4-A191-K87
DC	27W2	DCM-27W2P-OL4-A191-K87	DCMX-27W2P-OL4-A191-K87	DCMU-27W2P-OL4-A191-K87	DCMQ-27W2P-OL4-A191-K87

For performance class 1 replace A191 with A190.
 For performance class 3 delete A191.
 For clinch nut 4-40 UNC thread replace X with E.
 For standoff, 4-40 UNC thread post and pushfit replace U with N.

For 4-40 UNC thread standoff with pushfit replace Q with Z.
 For captive nut 4-40 UNC replace X with E.
 3W3/3WK3 (keyed) 5W5 and 8W8 without signal contacts.



Dimensions

Shell size	A ±0,38	B ±0,13	C ±0,13	D ±0,13	E ±0,13	F ±0,25	L +0,2	W ±0,4
DE	30,8	16,9	25	8,35	12,55	10,7	0,8	6,7
DA	39,15	25,25	33,3	8,35	12,55	10,7	0,8	6,7
DB	53,05	38,95	47,05	8,35	12,55	10,8	0,9	6,8
DC	69,3	55,4	63,5	8,35	12,55	10,8	0,9	6,8