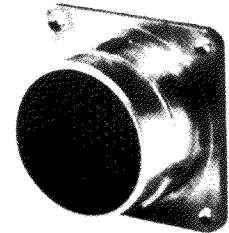
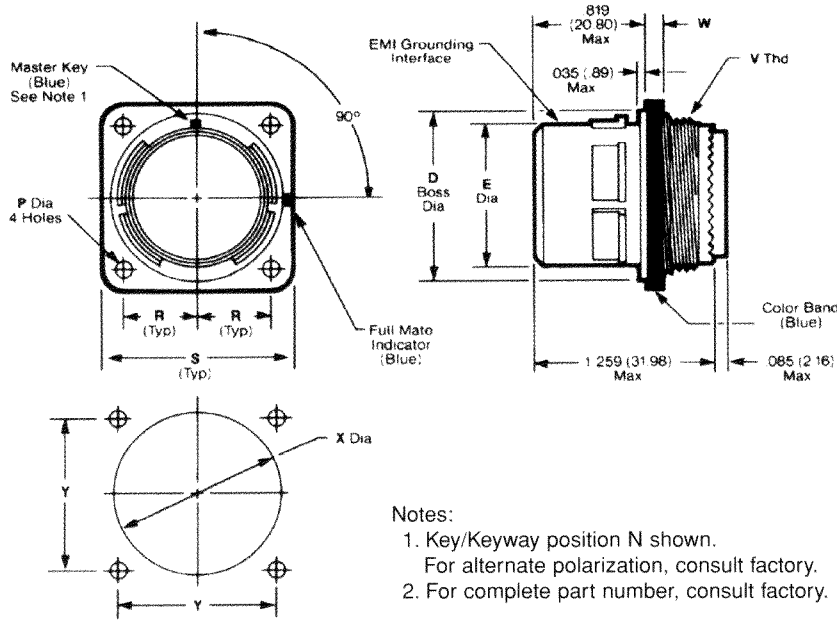


Square Flange Receptacle



- Notes:
1. Key/Keyway position N shown. For alternate polarization, consult factory.
 2. For complete part number, consult factory.

Shell Size	D Boss Dia. Max.		E Dia. Max.		P Dia. Min.		R Bsc.		S Max.	
	In.	mm	In.	mm	In.	mm	In.	mm	In.	mm
11	.793	20.14	.509	12.93	.122	3.10	.406	10.31	1.051	26.70
13	.919	23.34	.634	16.10			.453	11.51	1.145	29.08
15	1.044	26.52	.759	19.28			.4845	12.31	1.240	31.50
17	1.170	29.72	.885	22.48			.531	13.49	1.334	33.88
19	1.294	32.87	1.009	25.63			.578	14.68	1.460	37.08
21	1.419	36.04	1.134	28.80			.625	15.88	1.582	40.18
23	1.544	39.22	1.259	31.98	.142	3.61	.6875	17.46	1.708	43.38
25	1.669	42.39	1.384	35.15			.750	19.05	1.834	46.58

Shell Size	V Thd. Metric	W Max.		Dia. X Basic		Y Bsc.	
		In.	mm	In.	mm	In.	mm
11	M15x1.0-6g-0.1R	.102	2.6	.806	20.47	.812	20.62
13	M18x1.0-6g-0.1R			.932	23.67	.906	23.01
15	M22x1.0-6g-0.1R			1.057	26.85	.989	24.81
17	M25x1.0-6g-0.1R			1.219	30.96	1.062	26.97
19	M28x1.0-6g-0.1R			1.307	33.20	1.156	29.36
21	M31x1.0-6g-0.1R	.133	3.4	1.432	36.37	1.250	31.75
23	M34x1.0-6g-0.1R			1.557	39.55	1.375	34.93
25	M37x1.0-6g-0.1R			1.682	42.72	1.500	38.10

