

## EHP-AX08ES/CT01H-P01

**Features**

- Feature of the device: small package with high efficiency
- Typical color temperature: 6500 K.
- Typical view angle: 150°.
- Typical light flux output:48 lm @ 350mA.
- ESD protection.
- Soldering methods: SMT.
- Grouping parameter: total luminous flux, color temperature.
- Typical optical efficiency: 38 lm/W.
- Thermal resistance (junction to lead): 15 K/W.
- The product itself will remain within RoHS compliant version

**Applications**

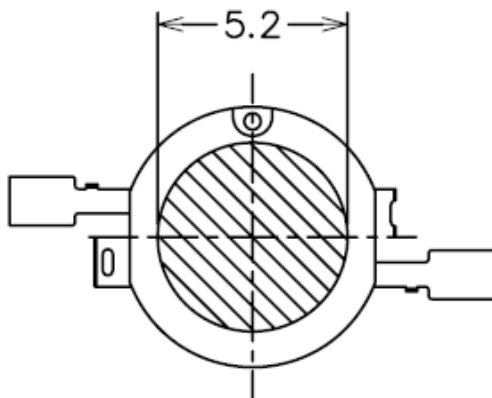
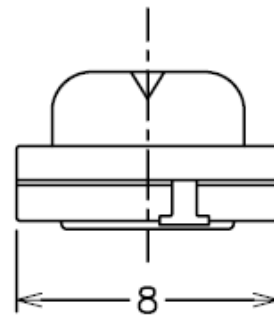
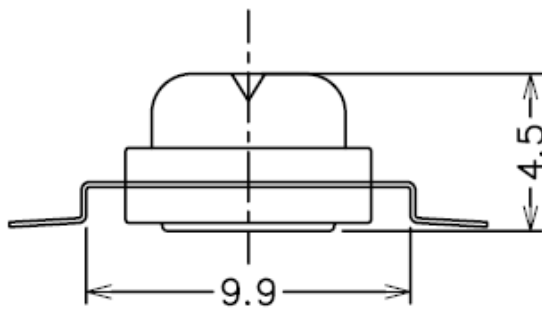
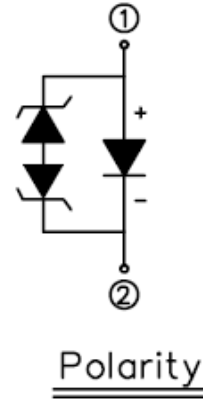
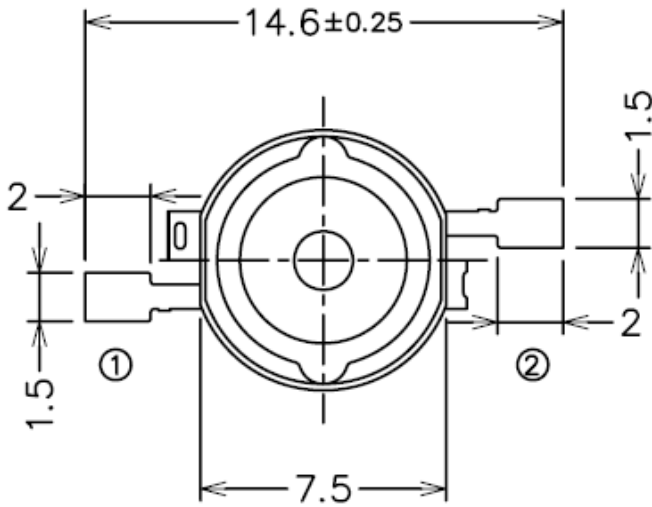
- TFT LCD display backlight
- Decorative and entertainment illumination
- Signal and symbol luminaries for orientation marker lights (e.g. steps, exit ways, etc.)
- Exterior and interior automotive illumination

**Materials**

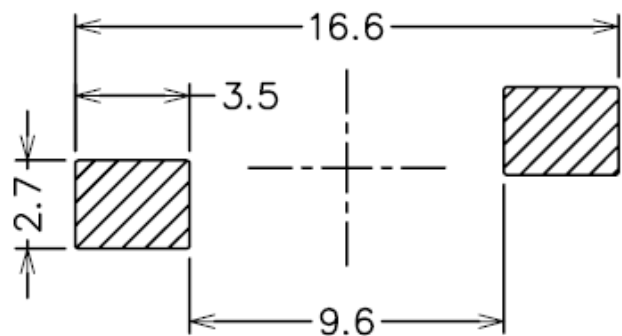
Items	Description
Housing black body	Heat resistant polymer
Encapsulating Resin	Silicone resin
Lens	Silicone
Electrodes	Ag plating copper alloy
Die attach	Silver paste
Chip	InGaN

**EHP-AX08ES/CT01H-P01**

**Dimensions**



Bot. view



Soldering patterns

**Notes: 1. Dimensions are in millimeters.**

**2. Tolerances unless dimensions  $\pm 0.25$ mm.**

**EHP-AX08ES/CT01H-P01**
**Maximum Ratings ( $T_{Ambient}=25^{\circ}C$ )**

Parameter	Symbol	Rating	Unit
Operating Temperature	$T_{opr}$	-40 ~ +100	°C
Storage Temperature	$T_{stg}$	-40 ~ +110	°C
Junction temperature	$T_j$	125	°C
Pulse Forward Current	$I_F$	500	mA
Power Dissipation	$P_d$	2.0	W
Junction to heat-sink thermal resistance	$R_{th}$	15	K/W

**Electro-Optical Characteristics ( $T_{Ambient}=25^{\circ}C$ )**

Parameter	Bin	Symbol	Min	Typ.	Max	Unit	Condition
Luminous Flux <sub>(1)</sub>	J3	$\phi_v$	33	----	39	lm	$I_F=350mA$
	J4		39	----	45		
	J5		45	----	52		
	K1		52	----	60		
Forward Voltage <sub>(2)</sub>	V1	$V_F$	2.95	----	3.25	V	
	V2		3.25	----	3.55		
	V3		3.55	----	3.85		
	V4		3.85	----	4.15		
Viewing Angle <sub>(3)</sub>	----	$2\theta_{1/2}$	----	150	----	deg	
Color Temperature <sub>(4)</sub>	----	$CCT$	4500	6500	10000	K	

Note. 1. Luminous Flux measurement tolerance:  $\pm 10\%$

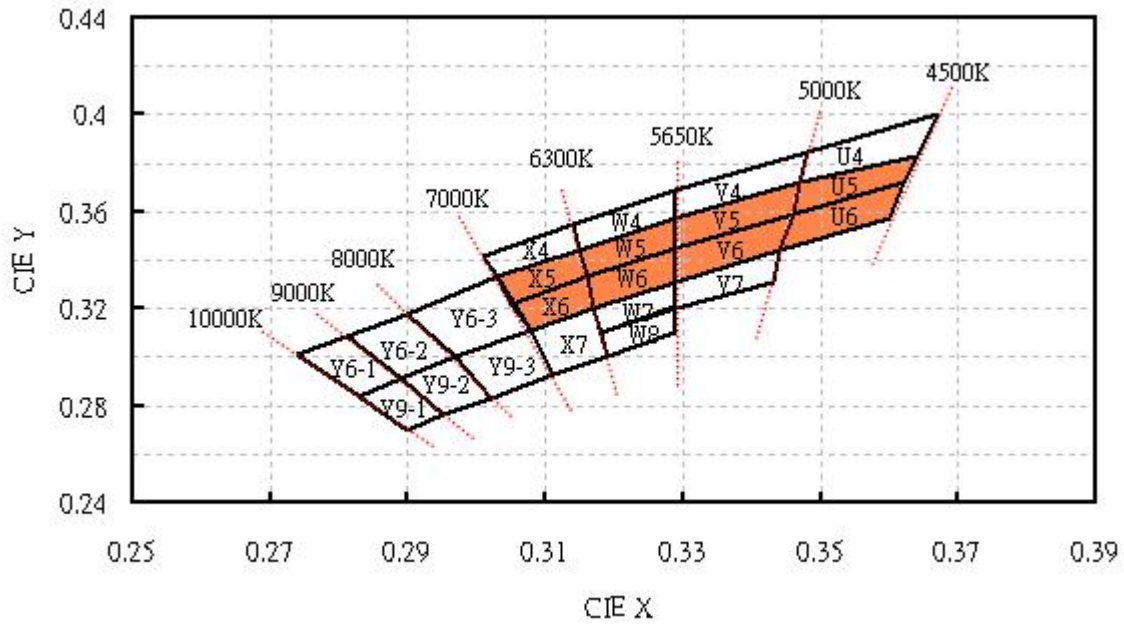
2. Forward Voltage measurement tolerance:  $\pm 0.1V$

3.  $2\theta_{1/2}$  is the off axis angle from lamp centerline where the luminous intensity is 1/2 of the peak value.

4. X, Y coordination for white light bin areas refer to EHP-A08-AX08 series White and Warm White Binning (DSE-A08-001) .

**EHP-AX08ES/CT01H-P01**

**Cool-White Bin Structure**



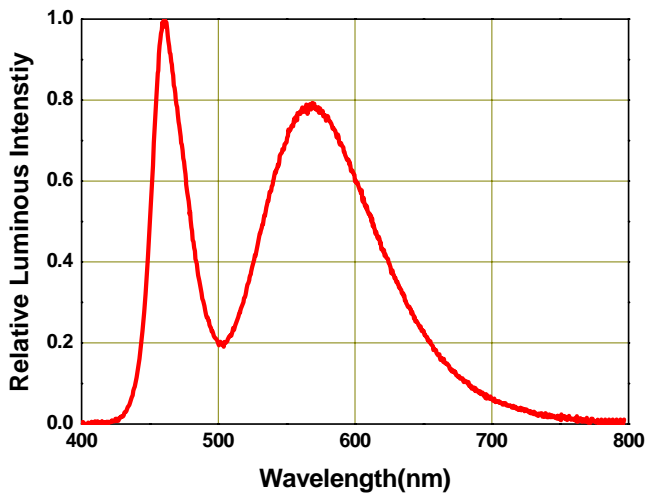
**Standard Specification**

part number	CCT range(K)	Color bins	Brightness range(lm)
EHP-AX08ES/CT01H-P01/4556/Y/J3J5	4500-5650	V5、V6、U5、U6	33-52
EHP-AX08ES/CT01H-P01/5670/Y/J3J5	5650-7000	X5、X6、W5、W6	33-52
EHP-AX08ES/CT01H-P01/4556/Y/J5K1	4500-5650	V5、V6、U5、U6	45-60
EHP-AX08ES/CT01H-P01/5670/Y/J5K1	5650-7000	X5、X6、W5、W6	45-60

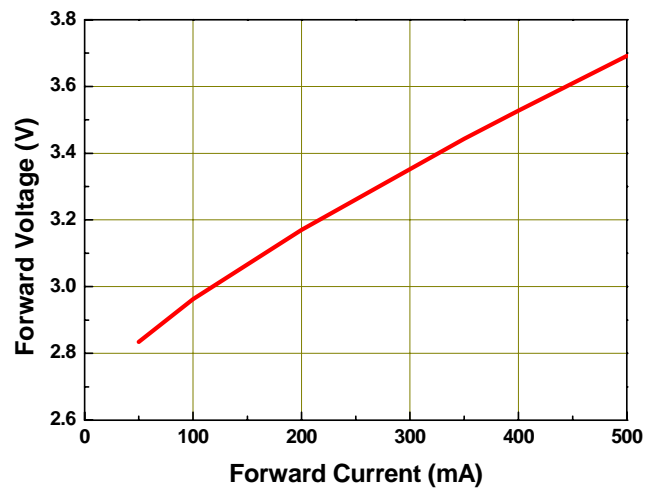
**EHP-AX08ES/CT01H-P01**

Typical Electro-Optical Characteristics Curves

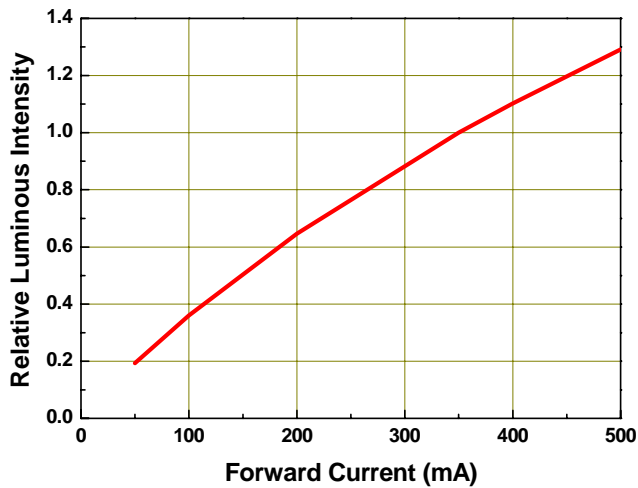
Relative Spectral Distribution,  
 $I_F=350\text{mA}$ ,  $T_{\text{Ambient}}=25^\circ\text{C}$



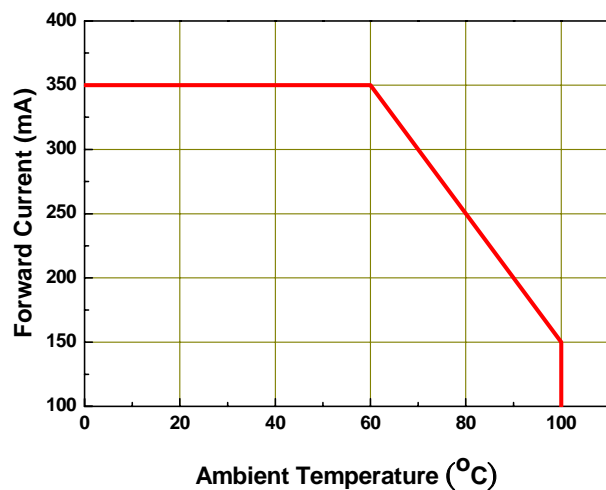
Forward Voltage vs Forward Current,  
 $T_{\text{Ambient}}=25^\circ\text{C}$



Relative Luminous Intensity vs Forward Current,  $T_{\text{Ambient}}=25^\circ\text{C}$

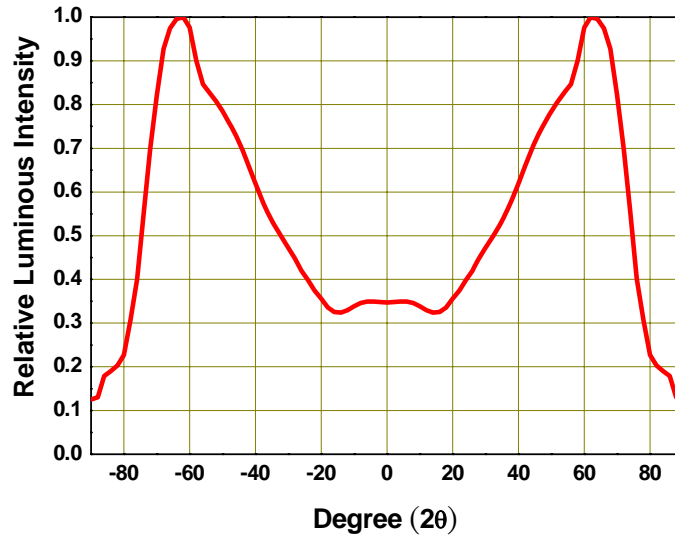


Forward Current Derating Curve,  
Derating based on  $T_{\text{IMAX}}=125^\circ\text{C}$



**EHP-AX08ES/CT01H-P01**

**Typical Representative Spatial Radiation Pattern**



**EHP-AX08ES/CT01H-P01**

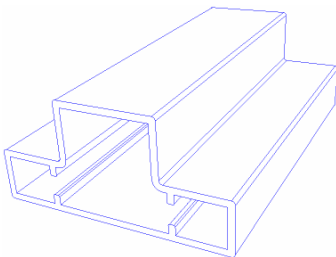
**Label explanation**

- CPN: Customer's Production Number**
- P/N : Production Number**
- QTY: Packing Quantity**
- CAT: Luminous Ranks**
- HUE: Dominant Wavelength**
- REF: Reference**
- LOT No: Lot Number**
- MADE IN TAIWAN: Production Place**

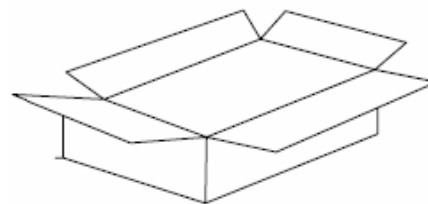


**Tube Packing Specifications**

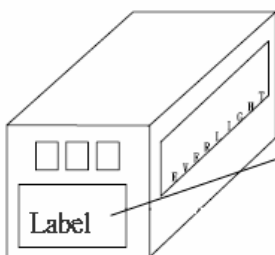
**1. Tube**



**2. Inner Carton**



**3. Outside Carton**



● **Packing Quantity**

- 1. 60 Pcs / Per Tube**
- 2. 20 Tubes / Inner Carton**
- 3. 12 Inner Cartons / Outside Carton**

**EHP-AX08ES/CT01H-P01**
**Reliability Test Items and Results**

Stress Test	Stress Condition	Stress Duration
Solderability	Tsol=230°C, 5sec	1 times
Reflow	Tsol=260°C, 10sec, 6min	3 times
Thermal Shock	H : + 110°C 20min. ↓ 10sec. 'L : - 40°C 20min.	500 Cycles
Temperature Cycle	H : + 100°C 30min. ↓ 5min. 'L : - 40°C 30min.	1000 Cycles
High Temperature/Humidity Reverse Bias	Ta=85°C , RH=85%	1000hours
High Temperature/Humidity Operation	Ta=85°C , RH=60%, IF=225mA	1000hours
High Temperature Storage	Ta=110°C	1000hours
Low Temperature Storage	Ta=-40°C	1000hours
Intermittent operational Life	Ta=25°C, IF=1000mA 30mS on/ 2500mS off	1000hours
High Temperature Operation Life #1	Ta=55°C, IF=350mA	1000hours
High Temperature Operation Life #2	Ta=85°C, IF=225mA	1000hours
High Temperature Operation Life #3	Ta=100°C, IF=150mA	1000hours
Low Temperature Operation Life	Ta=-40°C, IF=350mA	1000hours
Power Temperature Cycle	H : + 85°C 15min. ↓ 5min. 'L : - 40°C 15min. IF=225mA, 2min on/off	1000cycles
ESD Human Body Model	2000V, Interval:0.5sec	3 times
ESD Machine Model	200V, Interval:0.5sec	3 times

\*Im: BRIGHTNESS ATTENUATE DIFFERENCE(1000hrs)<50%

\*VF: FORWARD VOLTAGE DIFFERENCE < 20%



**EHP-AX08ES/CT01H-P01**

**Precautions For Use**

**1. Over-current-proof**

Though EHP-A08 has conducted ESD protection mechanism, customer must not use the device in reverse and should apply resistors for extra protection. Otherwise slight voltage shift may cause enormous current change and burn out failure would happen.

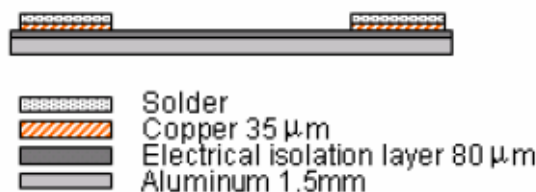
**2. Storage**

- i. Do not open moisture proof bag before the products are ready to use.
- ii. Before opening the package, the LEDs should be kept at 30°C or less and 90%RH or less.
- iii. The LEDs should be used within a year.
- iv. After opening the package, the LEDs should be kept at 30°C or less and 70%RH or less.
- v. The LEDs should be used within 168 hours (7 days) after opening the package.
- vi. If the moisture absorbent material (silicone gel) has faded away or the LEDs have exceeded the storage time, baking treatment should be performed using the following conditions.
- vii. Pre-curing treatment : 60±5°C for 24 hours.

**3. Thermal Management**

- i. For maintaining the high flux output and achieving reliability, EHP-A08 series LED package should be mounted on a metal core printed circuit board (MCPCB) with proper thermal connection to dissipate approximately 1W of thermal energy under 350mA operation.

**MCPCB structure**



**Recommend:**

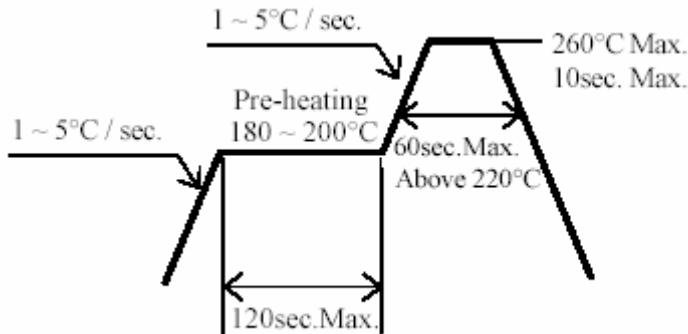
$$\text{Max } T_{\text{Slug}} = 70^{\circ}\text{C}$$

- ii. Special thermal designs are also recommended to take in outer heat sink design, such as FR4 PCB on Aluminum with thermal vias or FPC on Aluminum with thermal conductive adhesive, etc.
- iii. Sufficient thermal management must be conducted, or the die junction temperature will be over the limit under large electronic driving and LED lifetime will decrease critically.

**EHP-AX08ES/CT01H-P01**

**4. Soldering Condition**

- i. Lead reflow soldering temperature profile



- ii. Reflow soldering should not be done more than two times.
- iii. While soldering, do not put stress on the LEDs during heating.
- iv. After soldering, do not warp the circuit board

**5. Soldering Iron**

- i. For prototype builds or small series production runs it is possible to place and solder the LED by hand.
- ii. Dispensing thermal conductive glue or grease on the substrates and follow its curing spec. Press LED housing to closely connect LED and substrate.
- iii. It is recommended to hand solder the leads with a solder tip temperature of 280°C for less than 3 seconds within once in less than the soldering iron capacity 25W. Leave two seconds and more intervals, and do soldering of each terminal.
- iv. Be careful because the damage of the product is often started at the time of the hand solder.