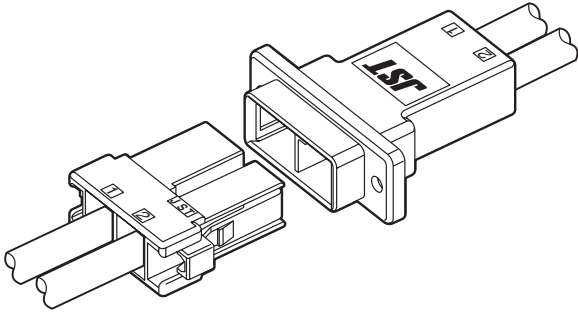




# JFA CONNECTOR J5000 SERIES

11.0mm pitch/Disconnectable Crimp style Wire-to-wire connectors



**One touch mating and unmating connector corresponding to high current. Modular type is also available.**

- High current capacity
- Easy mating connector

## Specifications

- Current rating: Refer to the following matrix table.
- Voltage rating: 600V AC, DC
- Temperature range: -55°C to +105°C  
(including temperature rise in applying electrical current)
- Withstanding voltage: 3.0kV AC/minute
- Applicable wire: AWG #16 to #8 (1.25 to 8.0mm<sup>2</sup>)

\*Contact JST for details.

\*RoHS compliant products are published.

### Current rating

Unit: A

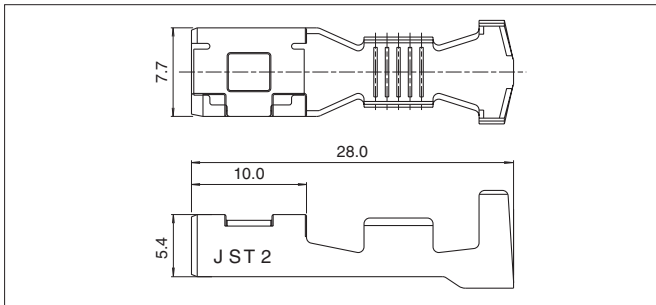
Circuits	Wire size (AWG)				
	#8	#10	#12	#14	#16
1	50	37	30	24	20
2	45	34	28	22	18
3	43	34	27	21	17
4	42	32	26	20	16
6	40	32	26	20	16

## Standards

Recognized E60389

# JFA CONNECTOR/J5000 SERIES

## Receptacle contact



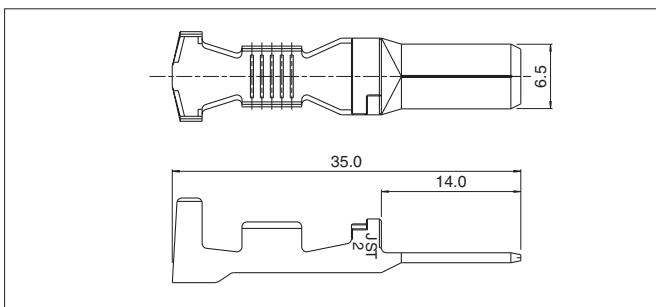
Model No.		Applicable wire			Insulation O.D.	Q'ty	
Strip contact	Loose piece	Nominal	mm <sup>2</sup>	AWG#	(mm)	reel	Box(Loose piece)
SJ5F-71GF-M6.5	BJ5F-71GF-M6.5	S	1.25 ~ 2.0	16 ~ 14	3.1 ~ 4.0	800	200
SJ5F-81GF-M6.5	LJ5F-81GF-M6.5	M	3.5 ~ 5.5	12 ~ 10	4.0 ~ 5.3	600	150
SJ5F-91GF-M6.5	LJ5F-91GF-M6.5	L	8.0	8	7.2 ~ 8.2	450	100

### Material and Finish

Copper alloy (superior conductivity), nickel-undercoated, selective gold-plated

### RoHS compliance

## Tab contact



Model No.		Applicable wire			Insulation O.D.	Q'ty	
Strip contact	Loose piece	Nominal	mm <sup>2</sup>	AWG#	(mm)	reel	Box(Loose piece)
SJ5M-71GF-M6.5	BJ5M-71GF-M6.5	S	1.25 ~ 2.0	16 ~ 14	3.1 ~ 4.0	800	200
SJ5M-81GF-M6.5	LJ5M-81GF-M6.5	M	3.5 ~ 5.5	12 ~ 10	4.0 ~ 5.3	600	150
SJ5M-91GF-M6.5	LJ5M-91GF-M6.5	L	8.0	8	7.2 ~ 8.2	450	100

### Material and Finish

Copper alloy (superior conductivity), nickel-undercoated, selective gold-plated

### RoHS compliance

## Crimping machine, Applicator

Strip contact Model No.	Crimping machine	Crimp applicator	Dies	Crimp applicator with dies
SJ5F-71GF-M6.5	AP-K2N	MKS-L-J5	MK/SJ5F/M-71-65	APLMK SJ5F/M71-65
SJ5M-71GF-M6.5			MK/SJ5F/M-81-65	APLMK SJ5F/M81-65
SJ5F-81GF-M6.5				
SJ5M-81GF-M6.5				
SJ5F-91GF-M6.5	*	*	*	*
SJ5M-91GF-M6.5	*	*	*	*

Loose piece	Hand crimp tools
BJ5F-71GF-M6.5	YRF-888
BJ5M-71GF-M6.5	
LJ5F-81GF-M6.5	
LJ5M-81GF-M6.5	YRF-889
LJ5F-91GF-M6.5	Battery operated type * BCT-860JFA
LJ5M-91GF-M6.5	

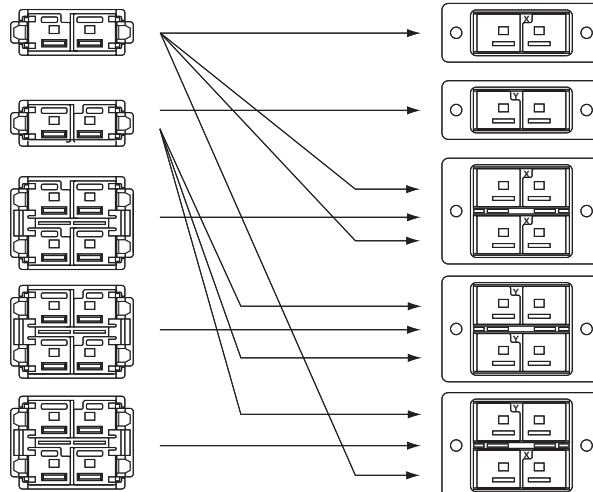
\* Extraction tool for J5000 series: EJ-JFAJ5

\* Contact JST for details.

## List of combinations

The combination of the J5200 series.

Receptacle housing	
Single-row 2, 3 circuits (J5200S)	X type J5FS-■■■V-KX
	Y type J5FS-■■■V-KY
Double-row 4, 6 circuits (J5200M)	XX type J5FM-■■■V-KXX
	YY type J5FM-■■■V-KYY
	XY type J5FM-■■■V-KXY

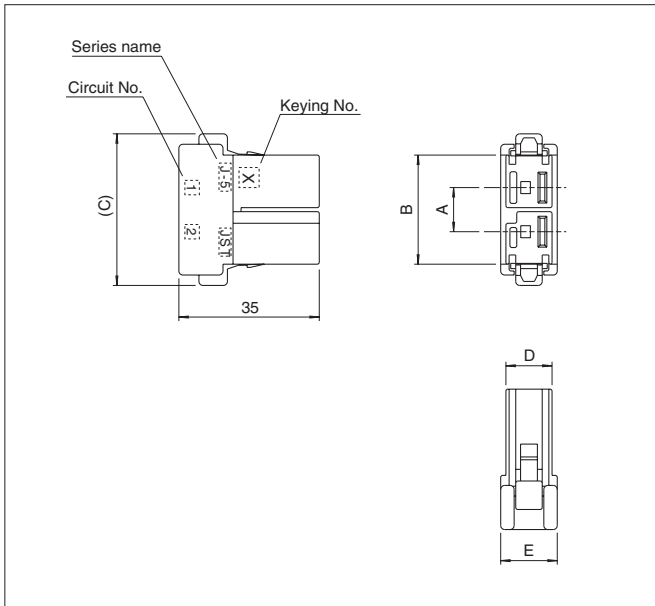


Tab housing	
Single-row 2, 3 circuits (J5200S)	X type J5MSP-■■■V-KX
	Y type J5MSP-■■■V-KY
Double-row 4, 6 circuits (J5200M)	XX type J5MMP-■■■V-KXX
	YY type J5MMP-■■■V-KYY
	XY type J5MMP-■■■V-KXY

Note: Number of circuits is indicated in ■■■.

# J5000 SERIES/J5200

## Receptacle housing



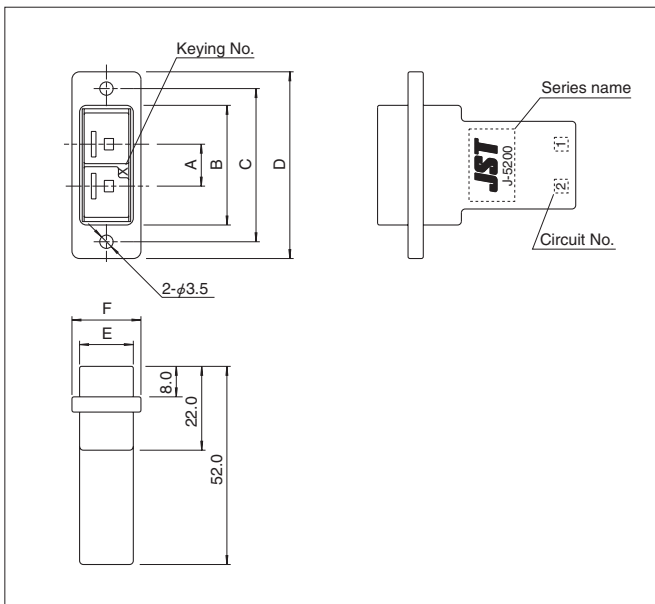
Circuits	Keying	Model No.	Dimensions (mm)					Q'ty / box
			A	B	C	D	E	
2	X	J5FS-02V-KX	11.0	27.2	37.8	11.5	14.1	50(bag)
	Y	J5FS-02V-KY	11.0	27.2	37.8	11.5	14.1	50(bag)
3	X	J5FS-03V-KX	22.0	38.2	48.8	11.5	14.1	50(bag)
	Y	J5FS-03V-KY	22.0	38.2	48.8	11.5	14.1	50(bag)
4	XX	J5FM-04V-KXX	11.0	27.2	37.8	26.0	28.6	180
	YY	J5FM-04V-KYY	11.0	27.2	37.8	26.0	28.6	180
	XY	J5FM-04V-KXY	11.0	27.2	37.8	26.0	28.6	180
6	XX	J5FM-06V-KXX	22.0	38.2	48.8	26.0	28.6	126
	YY	J5FM-06V-KYY	22.0	38.2	48.8	26.0	28.6	126
	XY	J5FM-06V-KXY	22.0	38.2	48.8	26.0	28.6	126
10	XX	J5FM-10V-KXX	44.0	60.2	70.8	26.0	28.6	—
	YY	J5FM-10V-KYY	44.0	60.2	70.8	26.0	28.6	—
	XY	J5FM-10V-KXY	44.0	60.2	70.8	26.0	28.6	—

### Material

Glass-filled PBT, UL94V-0, black

### RoHS compliance

## Tab housing (Panel mounting type)



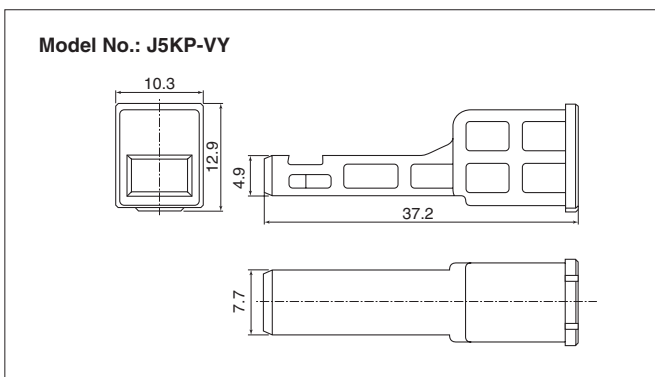
Circuits	Keying	Model No.	Dimensions (mm)						Q'ty / box
			A	B	C	D	E	F	
2	X	J5MSP-02V-KX	11.0	31.4	40.2	49.0	14.1	18.1	40(bag)
	Y	J5MSP-02V-KY	11.0	31.4	40.2	49.0	14.1	18.1	40(bag)
3	X	J5MSP-03V-KX	22.0	42.4	51.2	60.0	14.1	18.1	40(bag)
	Y	J5MSP-03V-KY	22.0	42.4	51.2	60.0	14.1	18.1	40(bag)
4	XX	J5MMP-04V-KXX	11.0	31.4	40.2	49.0	28.6	32.6	72
	YY	J5MMP-04V-KYY	11.0	31.4	40.2	49.0	28.6	32.6	72
	XY	J5MMP-04V-KXY	11.0	31.4	40.2	49.0	28.6	32.6	72
6	XX	J5MMP-06V-KXX	22.0	42.4	51.2	60.0	28.6	32.6	63
	YY	J5MMP-06V-KYY	22.0	42.4	51.2	60.0	28.6	32.6	63
	XY	J5MMP-06V-KXY	22.0	42.4	51.2	60.0	28.6	32.6	63
10	XX	J5MMP-10V-KXX	44.0	64.4	73.2	82.0	28.6	32.6	—
	YY	J5MMP-10V-KYY	44.0	64.4	73.2	82.0	28.6	32.6	—
	XY	J5MMP-10V-KXY	44.0	64.4	73.2	82.0	28.6	32.6	—

### Material

Glass-filled PBT, UL94V-0, black

### RoHS compliance

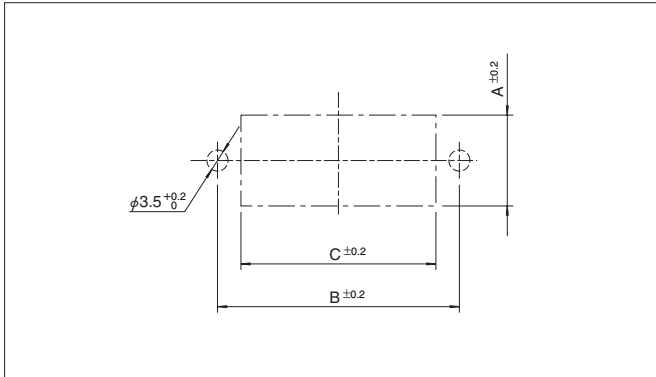
## Keying plug



### RoHS compliance

# JFA CONNECTOR/J5000 SERIES

## Panel layout



Circuits	Dimensions (mm)		
	A	B	C
2	15.1	40.2	32.4
3	15.1	51.2	43.4
4	29.6	40.2	32.4
6	29.6	51.2	43.4
10	29.6	65.4	73.2

## Model number identification

### Receptacle contact

**S J5 F - 71 GF - M 6.5**

Form: S...Strip form, B...Loose piece  
L...Loose piece with curled barrels

Series name

Kind of terminal: F...Receptacle contact

Applicable wire: 71...AWG #16 ~ #14, 81...AWG #12 ~ #10,  
91...AWG #8

Surface finish: GF...Nickel-undercoated, selective gold-plated

Material: M...Copper alloy

Terminal size

### Tab contact

**S J5 M - 71 GF - M 6.5**

Form: S...Strip form, B...Loose piece  
L...Loose piece with curled barrels

Series name

Kind of terminal: M...Tab contact

Applicable wire: 71...AWG #16 ~ #14, 81...AWG #12 ~ #10,  
91...AWG #8

Surface finish: GF...Nickel-undercoated, selective gold-plated

Material: M...Copper alloy

Terminal size

### Receptacle housing

**J5 F S - 02 V - K X**

Series name

Type of connector: F...Receptacle housing

Rows: S...Single-row, M...Double-row modular type

No. of circuits: 2, 3, 4, 6

Flammability: UL94V-0

Color indication: K...Black

Keying: X...X-Keying, Y...Y-Keying, XX...XX-Keying  
YY...YY-Keying, XY...XY-Keying

### Tab housing

**J5 M S P - 02 V - K X**

Series name

Kind of terminal: M...Tab housing

Rows: S...Single-row, M...Double-row modular type

Configuration: P...Panel type

No. of circuits: 2, 3, 4, 6

Flammability: UL94V-0

Color indication: K...Black

Keying: X...X-Keying, Y...Y-Keying, XX...XX-Keying  
YY...YY-Keying, XY...XY-Keying