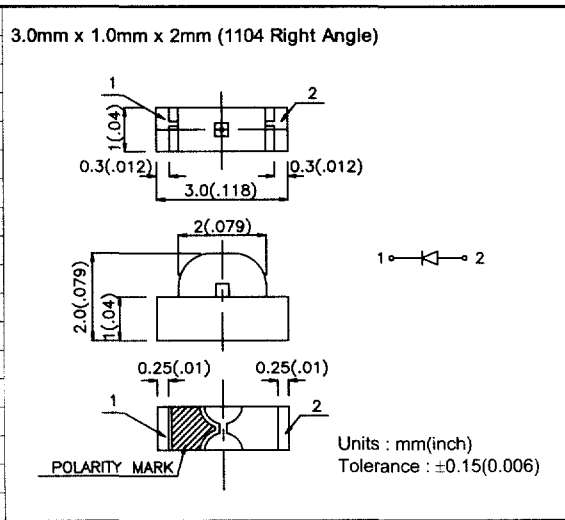
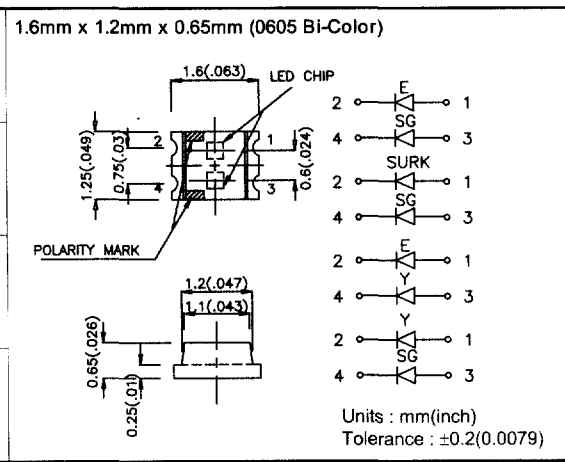


Part No.	Emitting Color + Material	λ D (nm)	Lens Type	Iv (mcd) @20mA		Viewing Angle 2θ1/2	Dimension
				Min.	Typ.		

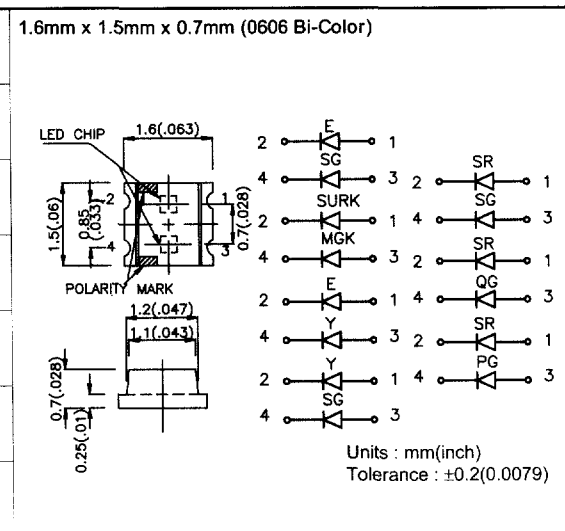
KPA-3010EC	GaAsP/GaP	625	water clear	5	12	120°
KPA-3010NC	GaAsP/GaP	610	water clear	5	12	120°
KPA-3010SGC	GaP	568	water clear	3	12	120°
KPA-3010QGC	GaP	565	water clear	3	12	120°
KPA-3010PGC	GaP	555	water clear	2	5	120°
KPA-3010YC	GaAsP/GaP	588	water clear	3	5	120°
KPA-3010PYC	GaAsP/GaP	585	water clear	3	5	120°
KPA-3010SRC-PRV	GaAlAs	640	water clear	20	60	120°
KPA-3010SURC	InGaAlP	628	water clear	50	120	120°
KPA-3010SURCK	InGaAlP	630	water clear	50	100	120°
KPA-3010SEC	InGaAlP	601	water clear	50	300	120°
KPA-3010SECK	InGaAlP	601	water clear	80	200	120°
KPA3010SEW-E	InGaAlP	621	white diffused	80	200	120°
KPA-3010SYC	InGaAlP	588	water clear	40	60	120°
KPA-3010SYCK	InGaAlP	590	water clear	18	50	120°
KPA-3010MBC	GaN	455	water clear	3	8	120°
KPA-3010MBCK	GaN	455	water clear	1.6	5	120°
KPA-3010PBC	InGaN	465	water clear	20	45	120°



KPTB-1612ESGC	GaAsP/GaP	625	water clear	5	12	120°
	GaP	568		3	12	
KPTB-1612SURKSGC	InGaAlP	630	water clear	80	150	120°
	GaP	568		3	12	
KPTB-1612EYC	GaAsP/GaP	625	water clear	5	12	120°
	GaAsP/GaP	588		3	8	
KPTB-1612YSGC	GaAsP/GaP	588	water clear	3	8	120°
	GaP	568		3	12	



KPTB-1615ESGC	GaAsP/GaP	625	water clear	5	12	120°
	GaP	568		3	12	
KPTB-1615SRSGW-PRV	GaAlAs	640	white diffused	30	80	120°
	GaP	568		3	12	
KPTB-1615SRQGW-PRV	GaAlAs	640	white diffused	30	80	120°
	InGaAlP	565		3	12	
KPTB-1615SRPGW-PRV	GaAlAs	640	white diffused	30	80	120°
	GaP	555		2	5	
KPTB-1615SURKMGKC	InGaAlP	630	water clear	80	150	120°
	GaP	570		10	30	
KPTB-1615EYC	GaAsP/GaP	625	water clear	5	12	120°
	GaAsP/GaP	588		3	8	
KPTB-1615YSGC	GaAsP/GaP	588	water clear	2.6	6	120°
	GaP	568		2.6	12	



NOTE :
1. KP series custom-made is available upon request.