

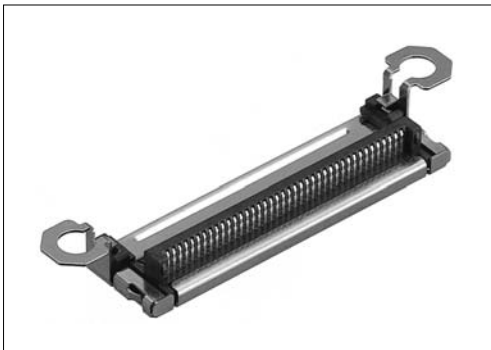
Cable side fine-wire coaxial cable
LVC-C40LPMSG

Fine-wire coaxial cable

For LCD

0.5 mm pitch

Cable sides

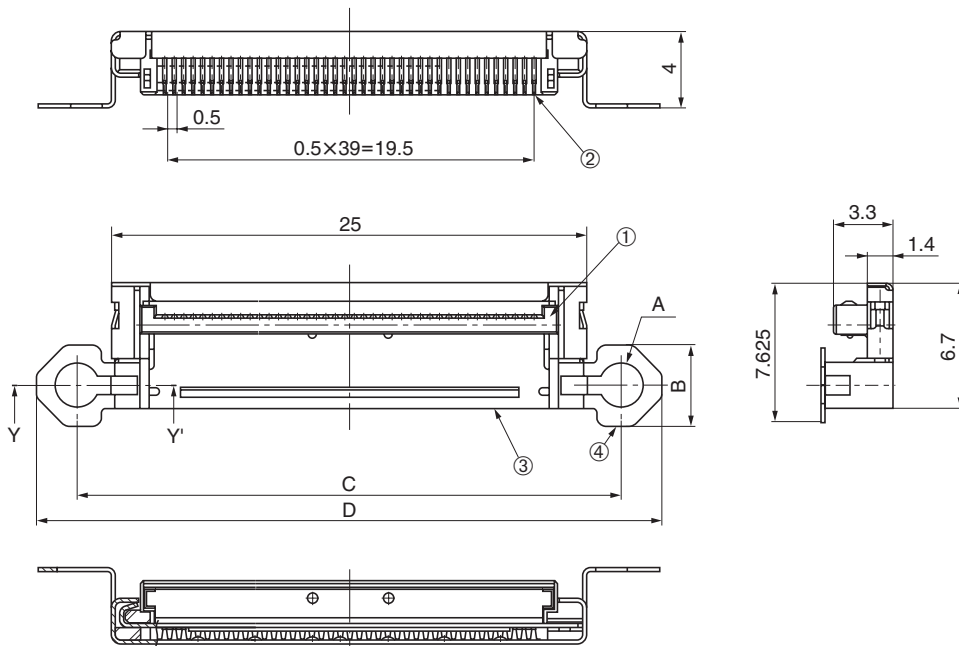


● Configuration of product Part No.

LVC- C 40 LPMS G

① ② ③ ④

- ① Series name
- ② No. of contacts: 40
- ③ Type of contacts
LPMS: Cable-side right-angle, male
- ④ Contact plating
G: Gold plate



Y-Y' cross section

● Components

①	Insulator
②	Contacts
③	Shield plate
④	Shell (Appended)

Note: By attaching Pull-tab, insertion and extraction of connector is easily possible.

● Dimensions

Part No.	A	B	C	D
LVC-C40LPMSG	2- ϕ 2.3	4.3	28.5	32.8

Mating connector: LVC-C40SFYG

Accessories: Pull tab, LVC-40P