

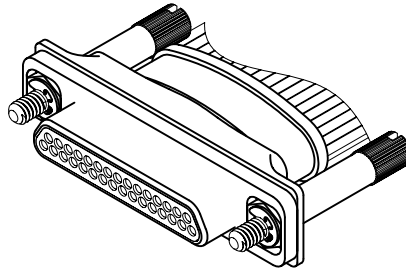


# Rugged Metal I/O (Integral Shield Termination)

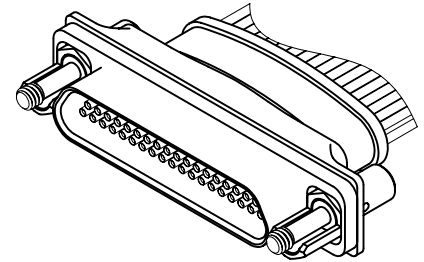
.050"

9 thru 100 Contacts

**MM**

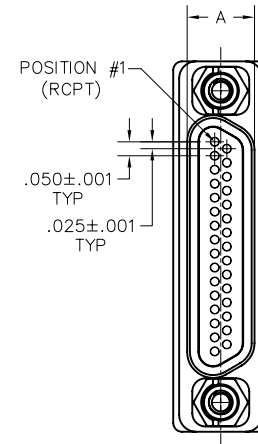
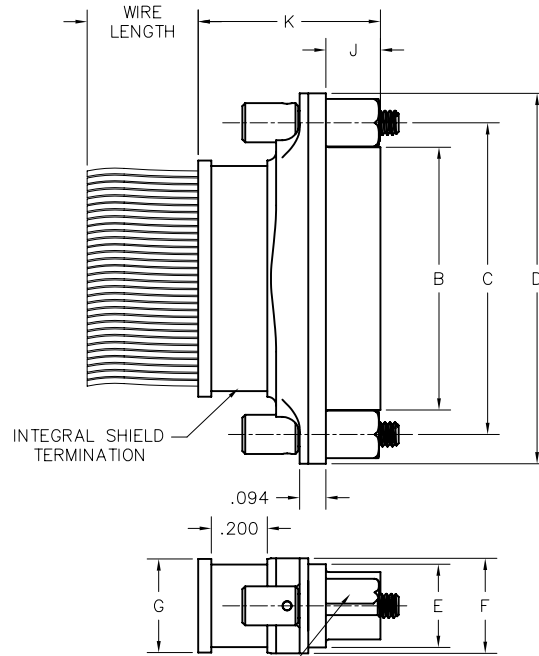
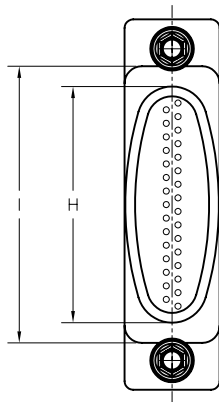


MM-2P2-031-161-44WA  
(PLUG)



MM-2Q2-031-261-99WA-KS11  
(RECEPTACLE)

MATING MATRIX	
CONNECTOR	MATES WITH
MM-2P...	MK, ML, MM, MN receptacles
MM-2Q...	MK, ML, MM, MN plugs



#2-56 KEYED JACKSCREW  
(2 PLCS)

DIMENSIONS																	
SIZE	CONTACT ROWS	A		B		C	HARDWARE	D	E	F	G	H	I	J		K	
		PLUG MAX	RCPT MAX	PLUG MAX	RCPT MAX									PLUG	RCPT	PLUG	RCPT
9	2	.185	.251	.334	.400	.565	#2-56 UNC THD (.092 DIA THRU)	.775	.298	.340	.290	.290	.440	.183	.195	.640	.652
15				.484	.550	.715		.925				.445	.590				
21				.634	.700	.865		1.075				.595	.740				
25				.734	.800	.965		1.175				.695	.840				
31				.884	.950	1.115		1.325				.845	.990				
37				1.034	1.100	1.265		1.475				.995	1.140				
51				1.384	1.450	1.615		1.825				1.345	1.490				
51	3	.228	.294	.984	1.050	1.215	#4-40 UNC THD (.147 DIA THRU)	1.425	.341	.380	.367	.945	1.090	.183	.195	.640	.652
69				1.284	1.350	1.515		1.725				1.245	1.390				
100	4	.271	.394	1.384	1.508	1.800	#4-40 UNC THD (.147 DIA THRU)	2.160	.381	.430	.417	1.457	1.522	.183	.195	.640	.652



**PLUG:** MM-2P2-031-161-44WA  
**RECEPTACLE:** MM-2Q2-031-261-99WA-KS11  
 XX-XXX-XXX-XXX-XXXX

SERIES | SIZE | HARDWARE & WIRING  
 BODY | CONTACTS

**PLUG**

**RECEPTACLE**

**SERIES**

MM .050" Rugged Metal I/O Connector

**SERIES**

MM .050" Rugged Metal I/O Connector

**BODY**

- 2 2-Row (Sizes 9 thru 37, 51)\*\*\*
- 3 3-Row (Sizes 51 thru 69)
- 4 4-Row (Size 100)

**BODY**

- 2 2-Row (Sizes 9 thru 37, 51)\*\*\*
- 3 3-Row (Sizes 51 thru 69)
- 4 4-Row (Size 100)

**BODY STYLE:**

P Plug, straight, with ears and integral shield termination

**BODY STYLE:**

Q Receptacle, straight, with ears and integral shield termination

**BODY MATERIAL:**

- 2 Polyphenylene Sulfide with electroless nickel shell
- 3 Polyphenylene Sulfide with electrodeposited cadmium shell ☒

**BODY MATERIAL:**

- 2 Polyphenylene Sulfide with electroless nickel shell
- 3 Polyphenylene Sulfide with electrodeposited cadmium shell ☒

**SIZE**

XXX 009, 015, 021, 025, 031, 037, 051, 069, 100

**SIZE**

XXX 009, 015, 021, 025, 031, 037, 051, 069, 100

**CONTACTS**

**CONTACTS/PLATING/TERMINATIONS:**

161 Pin, straight, 50 μ" Au contacts (crimped stranded wire)

**CONTACTS**

**CONTACTS/PLATING/TERMINATIONS:**

261 Socket, straight, 50 μ" Au contacts (crimped stranded wire)

**HARDWARE & WIRING**

**STYLE OF HARDWARE:**

- 00 None
- 22 Two fixed jacknut assemblies (62)\*\*
- 41 Two turning jackscrews, allen head, retaining ring (81)\*\*
- 42 Two long turning jackscrews, allen head, retaining ring (82)\*\*
- 43 Two turning jackscrews, slot head, retaining ring (83)\*\*
- 44 Two long turning jackscrews, slot head, retaining ring (84)\*\*
- 45 Two turning jackscrews, allenhead,captivated\* (85)\*\*
- 99 Keying hardware, see options below

**HARDWARE & WIRING**

**STYLE OF HARDWARE:**

- 00 None
- 22 Two fixed jacknut assemblies (62)\*\*
- 41 Two turning jackscrews, allen head, retaining ring (81)\*\*
- 42 Two long turning jackscrews, allen head, retaining ring (82)\*\*
- 43 Two turning jackscrews, slot head, retaining ring (83)\*\*
- 44 Two long turning jackscrews, slot head, retaining ring (84)\*\*
- 45 Two turning jackscrews, allenhead,captivated\* (85)\*\*
- 99 Keying hardware, see options below

**WIRING:**

XX For wiring codes, see page MA-3 & MA-4

**WIRING:**

XX For wiring codes, see page MA-3 & MA-4

**OPTIONS**

- KSXX Two turning jackscrews  
See page MA-6 for keying options (KJ)\*\*
- KPXX Two fixed jacknuts  
See page MA-6 for keying options (KN)\*\*

**OPTIONS**

- 900 Interfacial seal
- KSXX Two turning jackscrews & interfacial sealing gasket  
See page MA-6 for keying options (KJ)\*\*
- KPXX Two fixed jacknuts & interfacial sealing gasket  
See page MA-6 for keying options (KN)\*\*

**NOTES**

See page MA-5 & MA-7 for hardware dimensions.  
Reference PTB44 for band-it termination installation

**NOTES**

See page MA-5 & MA-7 for hardware dimensions.  
Reference PTB44 for band-it termination installation

Stainless steel micro band for shield termination, shipped with each connector  
 AirBorn part number CDG10026 1/8" short, CDG17492 1/8" long  
 Band-it application tool - AirBorn part number CDG10027

\* = Captive hardware is factory installed and non-removable.  
 \*\* = Use numbers or letters in parenthesis when ordering size 100.  
 \*\*\* = 2 Row, 51 position connectors are NON MIL-SPEC interface  
 ☒ = Option not RoHS compliant