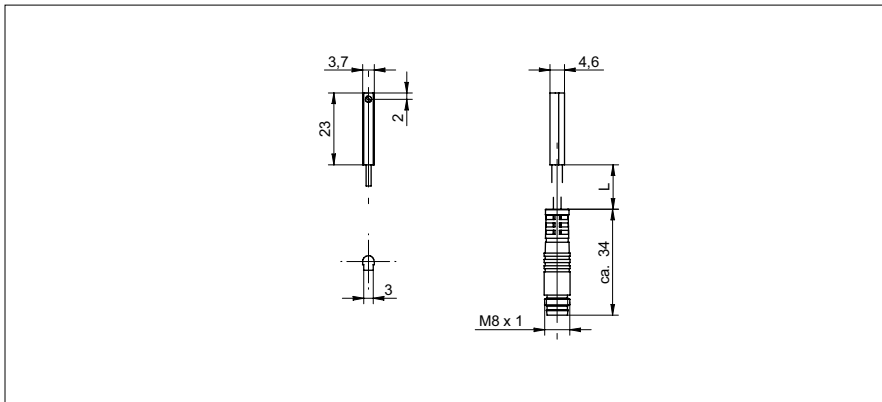


## Magnetic cylinder sensors

## MZCK 03P1001/KS35

## dimension drawing



## general data

type	magneto-resistive
version	C-slots
nominal operation point	28 Gauss
difference ON-OFF	5 ... 15 Gauss
output indicator	LED yellow

## electrical data

switching frequency	< 200 kHz
response time / release time	< 0,0025 ms
output circuit	PNP
output current	< 200 mA
voltage supply range +Vs	6 ... 30 VDC
output function	normally open (NO)
voltage drop Vd	< 1 VDC
reverse polarity protection	yes

## mechanical data

cable output	axial
connection types	flylead connector M8 3 pin
depth	21,5 mm
width / diameter	3,6 mm
height / length	4,6 mm
housing material	PA, AISI 303, OT63

## ambient conditions

operating temperature	-10 ... +70 °C
protection class	IP 67

## photo



## connection diagram

