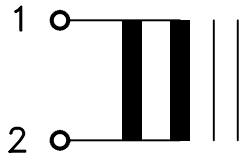


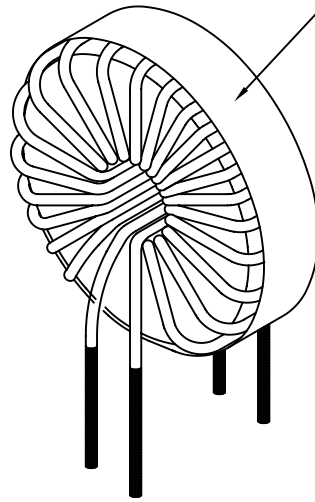
REV. Status	TCA NO.	MODEL NO.	RATED CURRENT (ADC)	INDUCTANCE (uH)±20%	DCR (mohm MAX)	OD	HT
REVISION - 05/06/98 TS	P-A4-10052-01	SKC-201	10	30	6.0	32.0(1.26)	18.0(0.71)
	P-A4-10052-02	SKC-202	10	50	8.4	37.0(1.46)	20.0(0.79)
	P-A4-10052-03	SKC-203	10	100	14.4	37.0(1.46)	20.0(0.79)
	P-A4-10052-04	SKC-204	10	150	16.8	44.0(1.73)	26.0(1.02)
	P-A4-10052-05	SKC-205	10	200	13.2	54.0(2.13)	25.0(0.98)

SKC-201~205

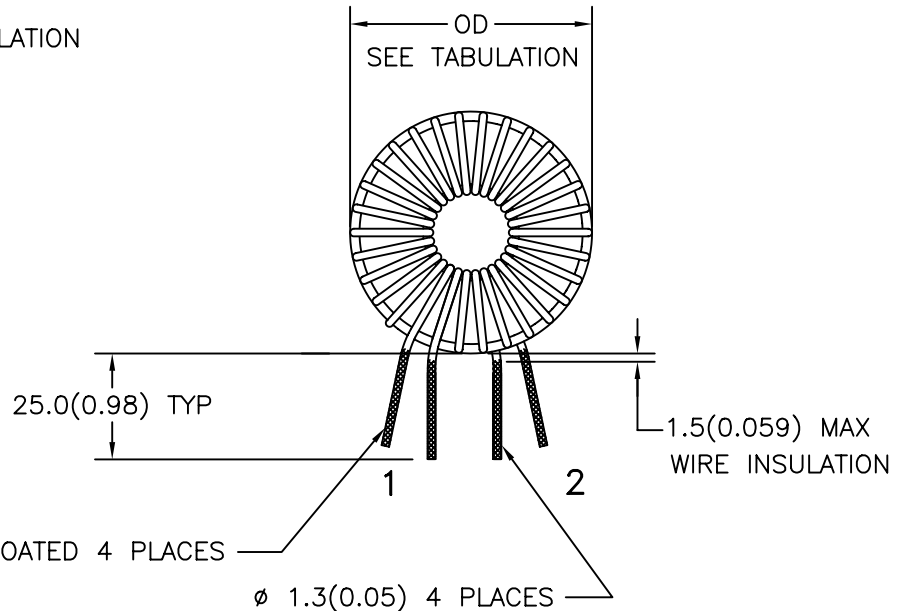
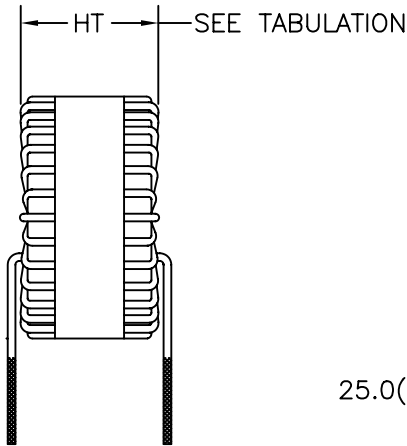
Schematic Diagram;



Country of origin



Mechanical Specifications;



SOLDER COATED 4 PLACES

NOTE: Inductance is measured at 1 KHz, 1 Vrms with specified DC current

PREPARED BY:

D. Kelley

ENGINEER:

T. Shiozawa

DWG CONTROL NO.
P-A4-10052
ACAD\MISCX\A4100521.DWG

REV
-

POWER INDUCTOR FOR
SWITCH MODE POWER SUPPLIES

SKC-201~205

QUALITY CONTROL:

D. Kelley

CONTENTS OF THIS DRAWING ARE
SUBJECT TO CHANGE WITHOUT
PRIOR NOTICE

TAMURA CORPORATION OF AMERICA
43352 BUSINESS PARK DRIVE, TEMECULA, CA. 92590-6624
(909) 699-1270 FAX 9096769482

MODEL SPECIFICATION

DIM: mm(In) SCL: NONE SH: 1 OF 1

APPROVED:

D. Suzuki

PROPRIETARY NOTICE: THIS DRAWING PRINT OR DOCUMENT AND SUBJECT MATTER DISCLOSED HEREIN ARE PROPRIETARY ITEMS TO WHICH TAMURA RETAINS THE EXCLUSIVE RIGHT OF DISSEMINATION, REPRODUCTION, MANUFACTURE AND SALE. THIS DRAWING, PRINT OR DOCUMENT IS SUBMITTED IN CONFIDENCE FOR CONSIDERATION BY THE RECIPIENT ALONE UNLESS PERMISSION FOR FURTHER DISCLOSURE IS EXPRESSLY GRANTED IN WRITING.