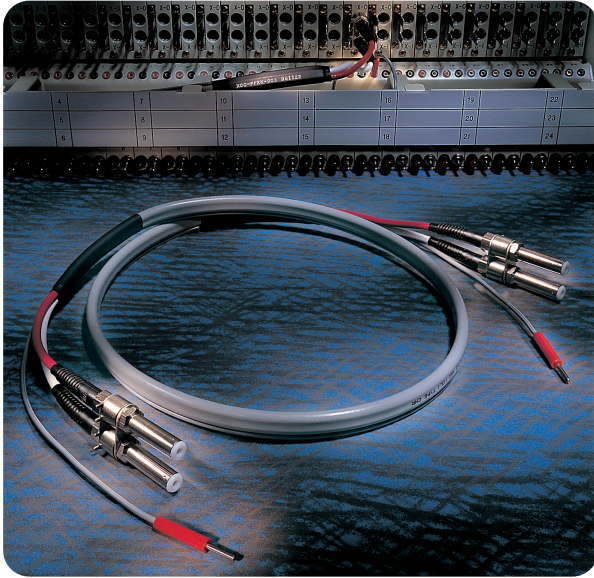


DSX-4F Cross-Connect Jumpers and Patch Cords

Dual Coaxial Front Cross-Connect Jumpers with Midsize Plugs



This convenient guide provides ordering information for the DSX-4F front cross-connect jumper on this page and patch cords on the reverse side.

This miniature 0222 coaxial cable assembly is designed to maximize cable management for the high-density DSX-4F front cross-connect products. They are also compatible with Avaya/Lucent Technologies cross-connect products.

To provide the highest quality product, all cross-connect jumpers and patch cords manufactured by ADC pass rigorous qualification testing before it is approved for shipment.

Features:

- Quick, easy installation – Technicians route only one dual jumper vs. two single jumpers
- High density – Miniature 0222 coaxial cable type reduces jumper congestion and increases DSX system jumper capacity
- Robust composition – Outer jacket adds a layer of protection to primary conductors inside; strain relief boot on each connector provides bend radius protection to coaxial cable
- Compact – Dual jumper contains both transmit (red) and receive (white) conductors in one assembly; jumper also contains tracer wire for LED circuit identification
- Quality – Midsize plugs; factory installed and tested
- Compatibility – Suitable for use with ADC DSX-4F and Avaya/Lucent Technologies cross-connect products

Order Catalog Number: XCC-PPXK-xxx*

* xxx determines the jumper length in feet (001 thru 050)

Standard Jumper Lengths: 3', 6', 9', 12', 15', 18', 20', 25', 30', 35', 40', 45', 50'
(.92, 1.83, 2.75, 3.66, 4.58, 5.49, 6.1, 7.63, 9.15, 10.68, 12.2, 13.73, 15.25 m)

See ADC's DSX-3 catalog #274 for complete line of coaxial cable and jumper assemblies including: multi pack equipment cables, hybrid assembly configurations, additional cable and connector types, field installable options.

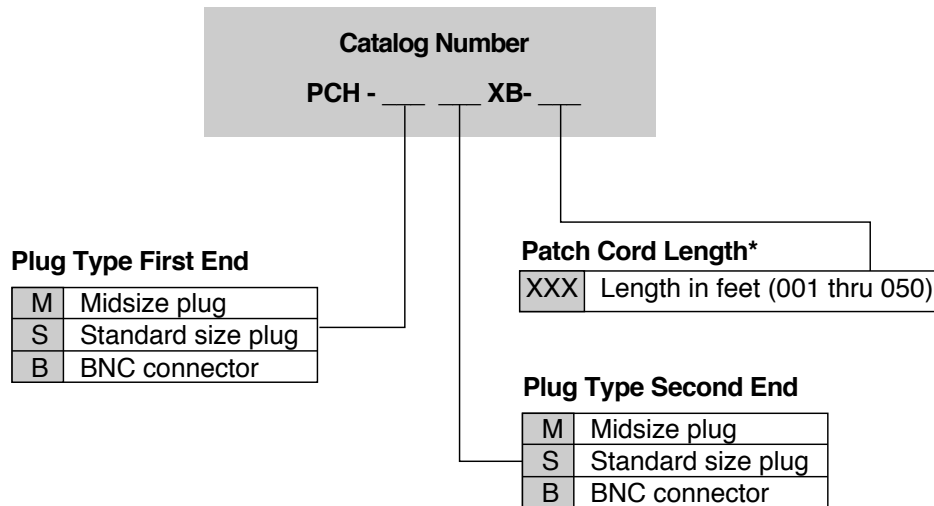
To order, call 1-800-366-3891 or +1-952-938-8080

Coaxial Patch Cords



Features

- Quality - Patch plugs; factory installed and tested
- RG59 type coaxial cable



Ordering Example: Catalog Number PCH-MMXB-012: 12' (3.66 m) patch cord with MIDSIZED plugs on both ends

Ordering Example: Catalog Number PCH-MSXB-012: 12' (3.66 m) patch cord with MIDSIZED plug on one end and STANDARD size on the other

*See catalog #274 for complete line of coaxial cable and jumpers assemblies, including multi pack equipment cables, hybrid assembly configurations, additional cable and connector types, field installable options.



Web Site: www.adc.com

From North America, Call Toll Free: 1-800-366-3891 • Outside of North America: +1-952-938-8080 Fax: +1-952-946-3292
For a complete listing of ADC's global sales office locations, please refer to our web site.

ADC Telecommunications, Inc., P.O. Box 1101, Minneapolis, Minnesota USA 55440-1101
Specifications published here are current as of the date of publication of this document. Because we are continuously improving our products, ADC reserves the right to change specifications without prior notice. At any time, you may verify product specifications by contacting our headquarters office in Minneapolis. ADC Telecommunications, Inc. views its patent portfolio as an important corporate asset and vigorously enforces its patents. Products or features contained herein may be covered by one or more U.S. or foreign patents.

