



Data Display Products®

# T-1<sup>3</sup>/<sub>4</sub> PCB MOUNT LEDS

Medium Profile, Single

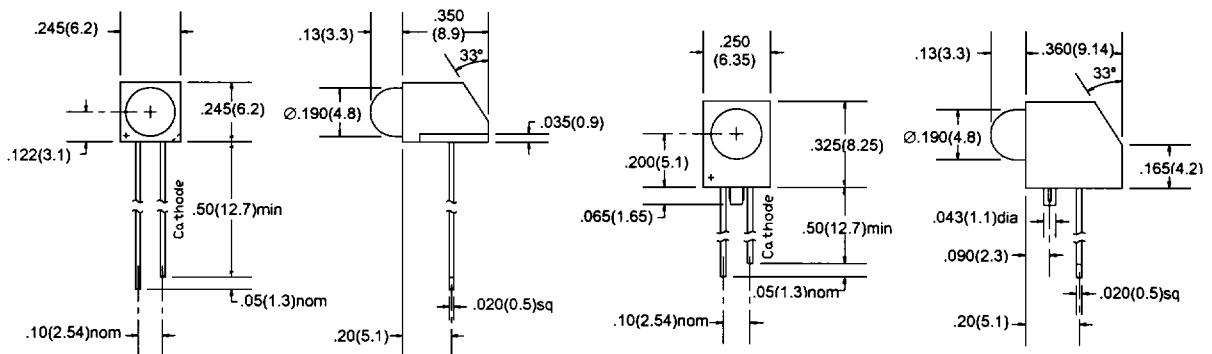
- Horizontal, Vertical or 45 Degree Angle Mount
- For Detailed LED Data, See Discrete Section, MODEL 190

Model		LED				
		Color	λpk (nm)	Iv <sup>[1]</sup> (mcd)	Tint	
<b>PCL190</b>	Right Angle	<b>-SR</b>	RED	655	2	Diffused
<b>PCL190C</b>	Right Angle, Center Pin	<b>-LR</b>	RED	635	12	Diffused
<b>PCH190</b>	Right Angle	<b>-LCR</b>	RED	635	34	Clear tinted
<b>PCV190</b>	Vertical Mount	<b>-LA</b>	AMB	585	7	Diffused
<b>PCLR190</b>	Right Angle, Variable	<b>-LCA</b>	AMB	585	38	Clear tinted
<b>PCL191-200</b>	Right Angle	<b>-LG</b>	GRN	565	12	Diffused
<b>PCA190</b>	Right Angle	<b>-LCG</b>	GRN	565	38	Clear tinted
<b>PCL145</b>	45 Degree Angle Mount					

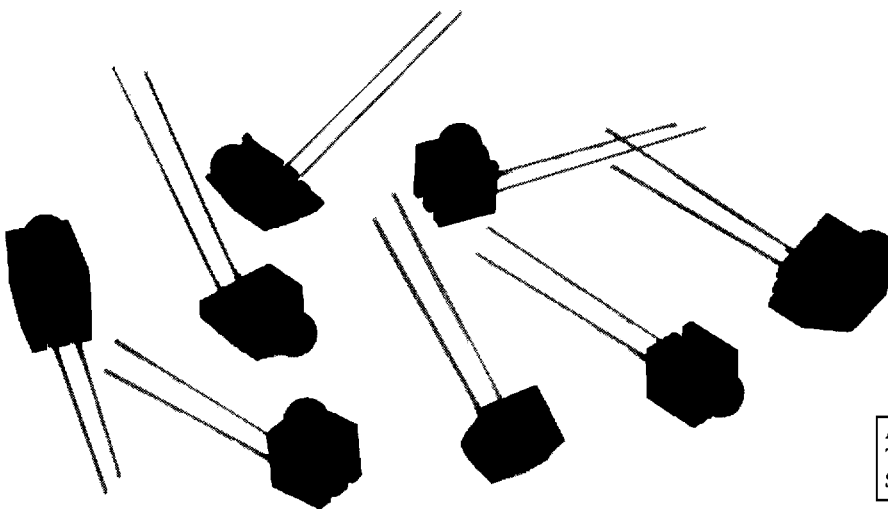
[1] Iv = typical luminous intensity @ If = 20mA (Ta=25°C).

**To Order:** Select one **BOLD** component from each **SHADED** column in the table.  
**Example:** Part Number **PCL190-LCR**:

Model	LED
<b>PCL190</b>	<b>-LCR</b>



PCL190C

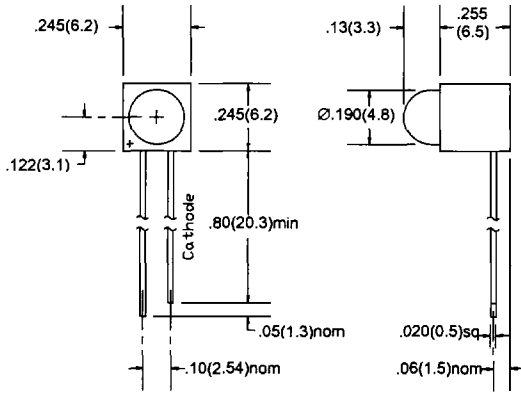


All dimensions are in inches(mm)  
 Tolerances: .xx"(.x) ±.025"(.63) / .xxx"(.xx) ±.010"(.25)  
 Specifications are subject to change without notice.

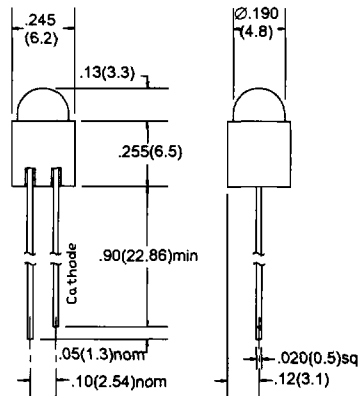


Data Display Products®

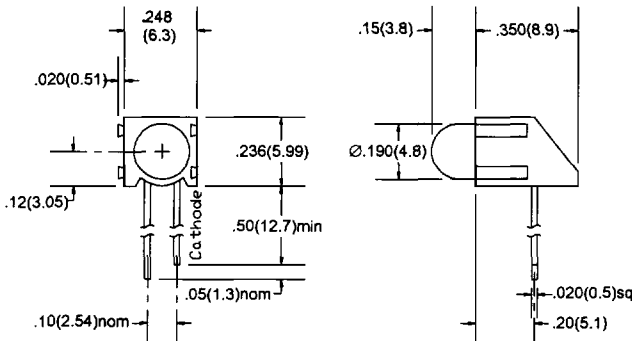
# T-1<sup>3</sup>/<sub>4</sub> PCB MOUNT LEDs Medium Profile, Single



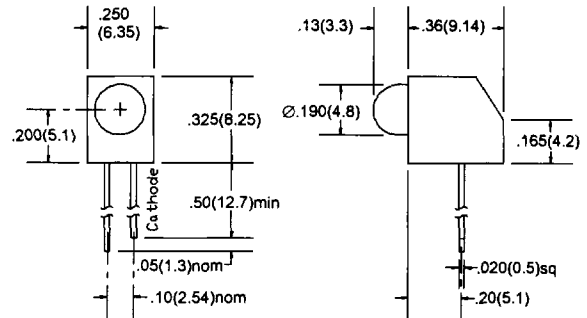
PCH190



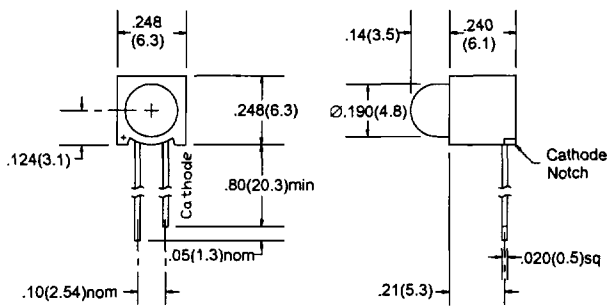
PCV190



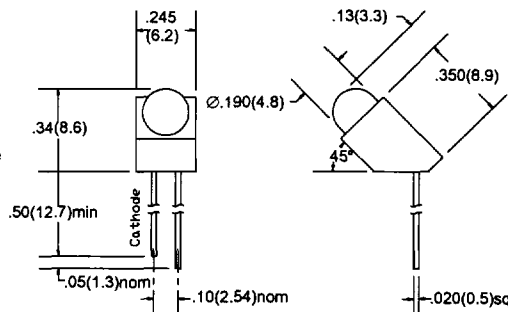
PCLR190



PCL191-200



PCA190



PCL145

All dimensions are in inches(mm)  
 Tolerances: .xx"(x) ±.025"(.63) / .xxx"(xx) ±.010"(.25)  
 Specifications are subject to change without notice.