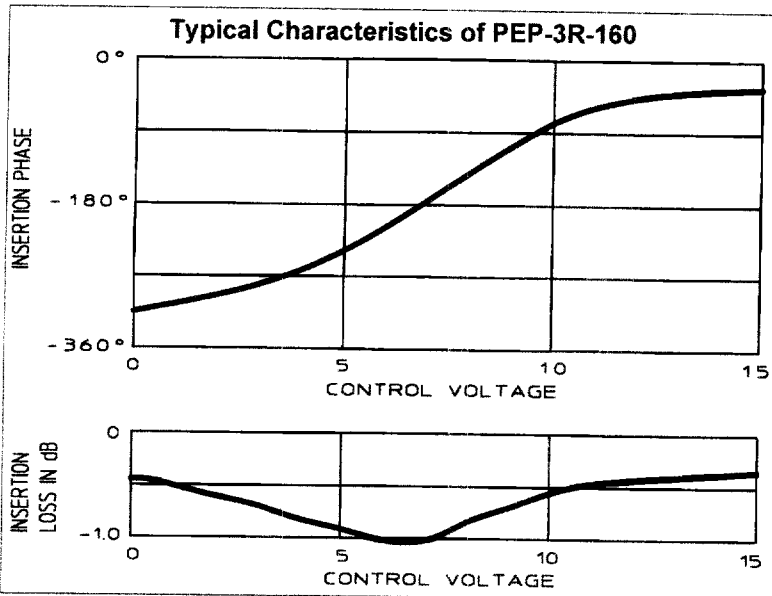
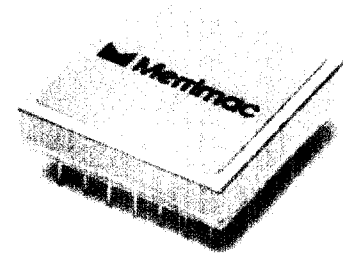
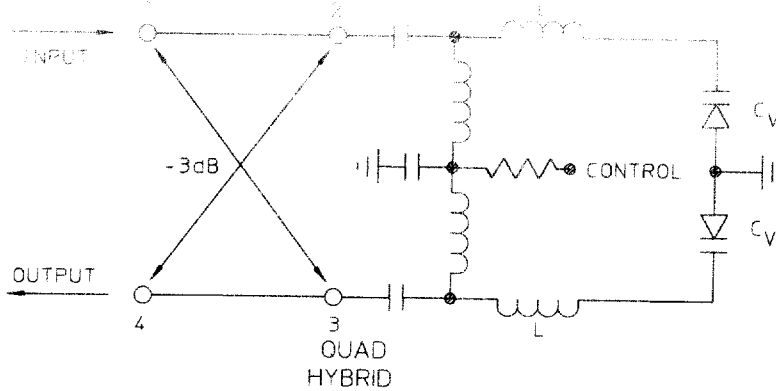
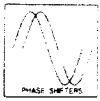


# PEP-3R Series

10 to 500 MHz / Continuous 0° to 180° Adjustment / Voltage Controlled / Low Insertion Loss



## PRINCIPAL SPECIFICATIONS

Model Number	Center Frequency, $f_0$ , MHz	RF Bandwidth, MHz
PEP-3R-60	60	6
PEP-3R-70	70	7
PEP-3R-***B	10 - 500	10% of $f_0$

For complete model number replace \*\*\* with desired center frequency,  $f_0$  in MHz.

## GENERAL SPECIFICATIONS

### RF Characteristics

Phase Shift Range:	180° min. @ $f_0$
Insertion Loss:	1.5 dB max.
Impedance:	50 $\Omega$ nom.
VSWR:	1.6:1 max.
Input Power:	0 dBm max.

### Control Characteristics

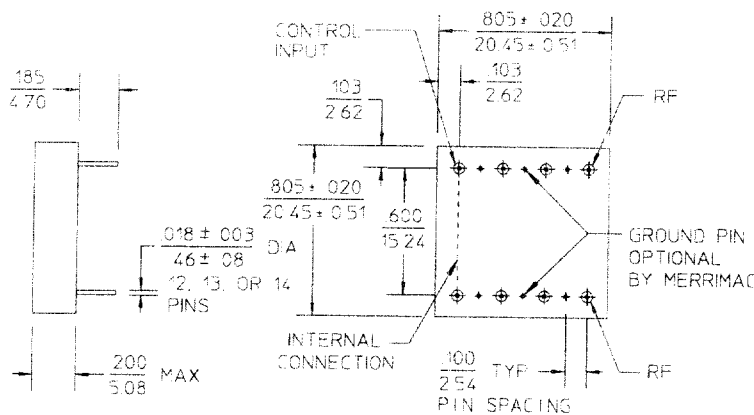
Control Voltage:	0.5 to +15 V typ. 0.5 to +30 V max.
Modulation Rate:	1% of $f_0$ max.

### General Characteristics

Phase Stability:	0.1% / °C
Weight, nominal:	0.32 oz. (9 g)
Operating Temp:	-55° to +85°C

\* Unit may be operated at +10 dBm in reduced control range of 1.5 - 15 V. (30 V no damage.)

## Meri-Pac™ R-Package Outline



- NOTES:
1. Tolerance on 3 place decimals  $\pm 0.10$  (.25) except as noted
  2. Dimensions in inches over millimeters
  3. Lead dimensions apply only at body
  4. All unmarked pins are case ground

## General Notes:

1. The PEP-3R series of voltage controlled phase shifters covers the 10 to 500 MHz band in a space saving PC package.
2. Phase shifters are used in systems requiring automatic phase control, closed loop feedback networks and steering of electronically scanned antennas.
3. Merrimac phase shifters are designed for high reliability and can be supplied screened to meet military and space applications.