

1N5817WB - 1N5819WB

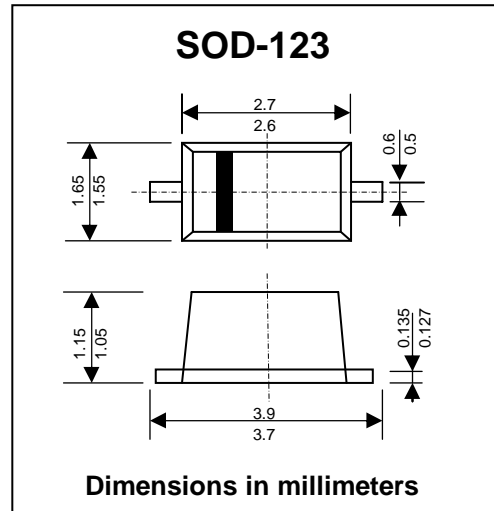
SCHOTTKY BARRIER DIODES

PRV : 20 - 40 Volts

IO : 1.0 Ampere

MECHANICAL DATA :

- * Case : SOD-123
- * Weight : 0.01 gram (approximately)
- * 1N5817WB Marking Code : A0
- * 1N5818WB Marking Code : ME
- * 1N5819WB Marking Code : SR



Absolute Maximum Rating (Ta = 25 °C)

Parameter	Symbol	Value	Unit
DC Reverse Voltage	1N5817WB	20	V
	1N5818WB	30	
	1N5819WB	40	
Average Rectified Output Current	I_O	1.0	A
Power Dissipation	P_{tot}	450	mW
Operating Junction Temperature Range	T_J	-55 to + 150	°C
Storage Temperature Range	T_{STG}	-55 to + 150	°C

Electrical Characteristics (Ta = 25 °C)

Parameter	Symbol	Min	Typ	Max	Unit
Reverse Breakdown Voltage at $I_R = 1$ mA	1N5817WB	20	-	-	V
	1N5818WB	30	-	-	
	1N5819WB	40	-	-	
Reverse Leakage Current	at $V_R = 20$ V 1N5817WB	-	-	1	mA
	at $V_R = 30$ V 1N5818WB	-	-	1	
	at $V_R = 40$ V 1N5819WB	-	-	1	
	at $V_R = 4$ V 1N5819WB	-	-	0.050	
	at $V_R = 6$ V 1N5819WB	-	-	0.075	
Forward Voltage	at $I_F = 0.1$ A 1N5819WB	-	-	0.45	V
	at $I_F = 1.0$ A 1N5817WB	-	-	0.45	
	1N5818WB	-	-	0.55	
	1N5819WB	-	-	0.60	
	at $I_F = 3.0$ A 1N5817WB	-	-	0.750	
1N5818WB	-	-	0.875		
1N5819WB	-	-	0.900		
Diode Capacitance at $V_R = 4$ V, $f = 1$ MHz	C_D	-	-	120	pF