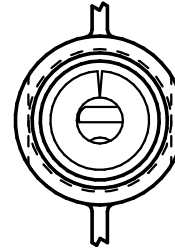
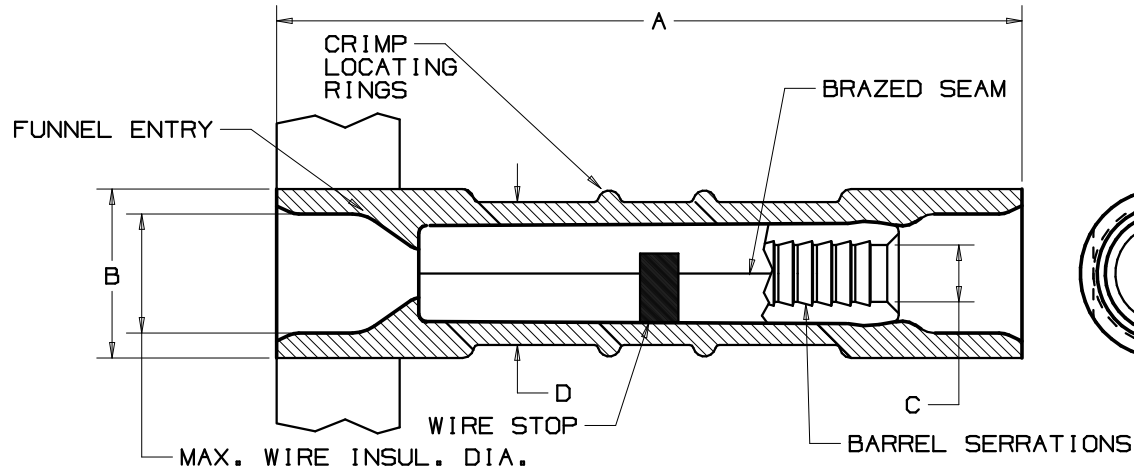


THIS COPY IS PROVIDED ON A RESTRICTED BASIS AND IS NOT TO BE USED IN ANY WAY DETRIMENTAL TO THE INTERESTS OF PANDUIT CORP.

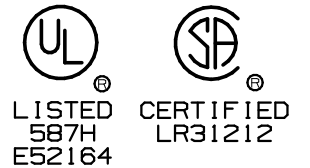


NOTES:

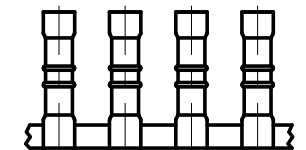
1. 600V MAX VOLTAGE RATING
2. MAXIMUM TEMPERATURE RATING:  
BSN SERIES=125° C (257° F)  
BSP SERIES=105° C (221° F)
3. SOLID OR STRANDED COPPER WIRE
4. CONTINUOUS MOLDED STRIP CARRIER
5. DIMENSIONS IN BRACKETS ARE IN INCHES
6. PKG. QTY: 3K=3000 PCS. 2K=2000 PCS
7. MATERIAL: A. HOUSING-NYLON  
B. STAMPING-  
CDA #110 COPPER, .81 (.032) THICK
8. WIRE STRIP LENGTH 7,9<sup>+8</sup><sub>-0</sub> (5/16<sup>+1/32</sup><sub>-0</sub>)
9. UL LISTED AND CSA CERTIFIED WITH AWG WIRE ONLY

PANDUIT PRESS

| APPLICATORS | PANDUIT PRESS                 |                               |        |        |                |                  |
|-------------|-------------------------------|-------------------------------|--------|--------|----------------|------------------|
|             | CP-851<br><i>DISCONTINUED</i> | CP-860<br><i>DISCONTINUED</i> | CP-861 | CP-862 | CP-871<br>60HZ | CP-871/E<br>50HZ |
| CA-800      |                               | X                             | X      |        |                |                  |
| CA-800EZ    | X                             |                               |        |        | X              | X                |
| CA9         |                               |                               |        | X      | X              | X                |



| PART NUMBER          | WIRE RANGE<br>mm <sup>2</sup><br>(AWG) | COLOR CODE | MAX. WIRE INSUL. DIA. | MIN. WIRE INSUL. DIA. | DIMENSIONS mm |              |                      |              | HAND TOOLS |
|----------------------|--|------------|-----------------------|-----------------------|---------------|--------------|----------------------|--------------|------------|
|                      |  |            |                       |                       | A             | B            | C                    | D            |            |
| BSMN1-3K<br>BSMP1-3K | .5-1.5<br>(22-16)                      | RED        | 3.8<br>(.15)          | N/A                   | 24.1<br>(.95) | 5.5<br>(.22) | 1.3<br>(.05)<br>MIN. | 4.7<br>(.18) | CT-1551M   |
| BSMN2-3K<br>BSMP2-3K | 1.5-2.5<br>(18-14)                     | BLUE       | 4.3<br>(.17)          | N/A                   | 24.1<br>(.95) | 6.0<br>(.24) | 1.9<br>(.07)<br>MIN. | 5.4<br>(.21) | CT-1551M   |
| BSMN6-2K             | 4.0-6.0<br>(12-10)                     | YELLOW     | 5.8<br>(.23)          | N/A                   | 24.1<br>(.95) | 8.1<br>(.32) | 3.0<br>(.12)<br>MIN. | 7.4<br>(.29) | CT-1551M   |



A41619\_02

|     |      |     |     |  |         |      |     |                   |   |               |                       |
|-----|------|-----|-----|--|---------|------|-----|-------------------|---|---------------|-----------------------|
| 02  | 3/06 | DAW | DAW | ADDED PANDUIT PRESS & APPLICATOR CHART | TR00083 |      |     |                   | <br>TINLEY PARK, ILLINOIS<br>METRIC CONTINUOUSLY MOLDED STANDARD AND PREMIUM NYLON INSULATED TERMO BUTT SPLICES |               |                       |
| 01  | 3/98 | TM  | JW  | ADDED BSMN6-2K                         | 06691   | LA   | DBH |                   |   |               |                       |
| 00  | 9/97 | JKD | WB  | RELEASED                               | 06193   | LA   | DBH |                   |   |               |                       |
| REV | DATE | BY  | CHK | DESCRIPTION                            | ECN #   | CUST | PM  | DRAWN BY<br>T SMA | CHK'D   | SCALE<br>NONE | DRAWING NO.<br>A41619 |