

## 40 A High power 90° – European footprint, size DD, with plastic bracket

Part numbers with plastic bracket and captive nut M3

Part numbers with plastic bracket with bushing diam. 3,05

Part numbers with plastic bracket with post M3

Shell size	Layout	P/N without pushfit	P/N with pushfit	P/N without pushfit	P/N with pushfit	P/N without pushfit	P/N with pushfit
DD	24W7	DDM-24P7P-1ATN-A191-K87	DDM-24P7P-1ATN-A191-K87-146	DDM-24P7P-1A5N-A191-K87	DDM-24P7P-1A5N-A191-K87-146	DDM-24P7P-1APN-A191-K87	DDM-24P7P-1APN-A191-K87-146
DD	36W4	DDM-36P4P-1ATN-A191-K87	DDM-36P4P-1ATN-A191-K87-146	DDM-36P4P-1A5N-A191-K87	DDM-36P4P-1A5N-A191-K87-146	DDM-36P4P-1APN-A191-K87	DDM-36P4P-1APN-A191-K87-146
DD	43W2	DDM-43P2P-1ATN-A191-K87	DDM-43P2P-1ATN-A191-K87-146	DDM-43P2P-1A5N-A191-K87	DDM-43P2P-1A5N-A191-K87-146	DDM-43P2P-1APN-A191-K87	DDM-43P2P-1APN-A191-K87-146
DD	47W1	DDM-47P1P-1ATN-A191-K87	DDM-47P1P-1ATN-A191-K87-146	DDM-47P1P-1A5N-A191-K87	DDM-47P1P-1A5N-A191-K87-146	DDM-47P1P-1APN-A191-K87	DDM-47P1P-1APN-A191-K87-146

For performance class 1 replace A191 with A190.  
For performance class 3 delete A191.

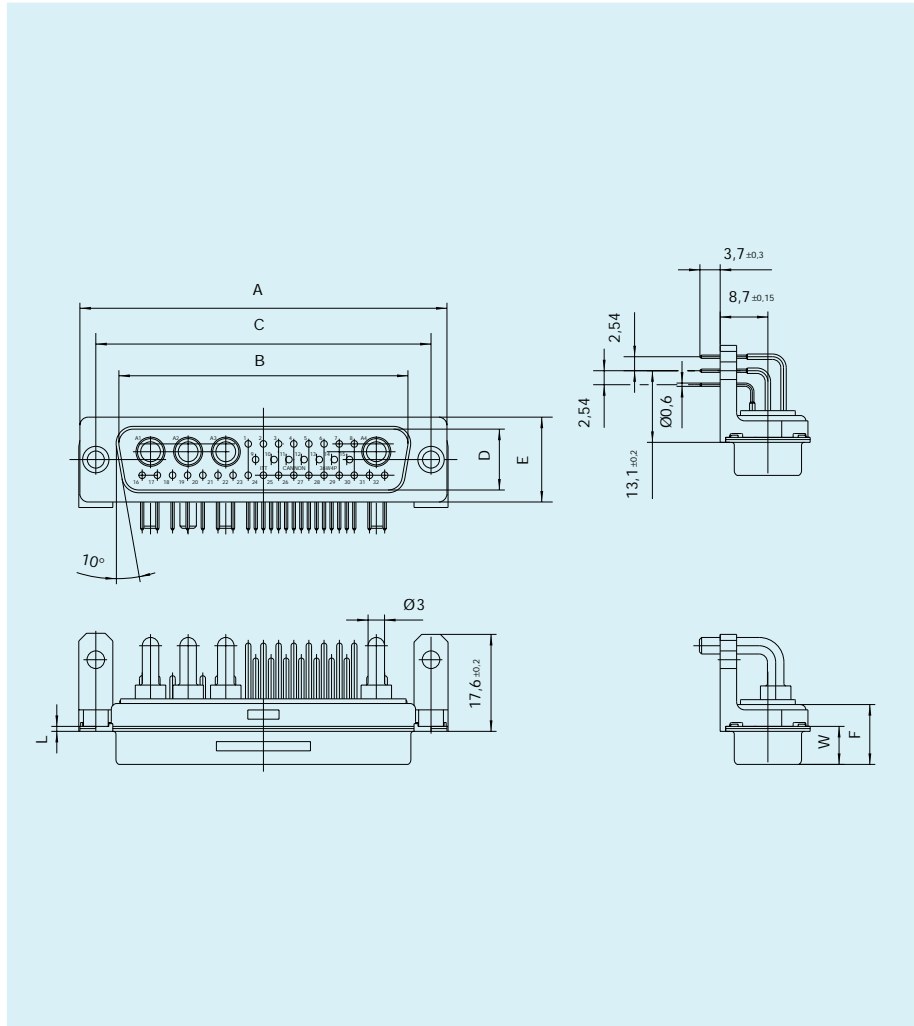
For pushfit 90° hole diameter 3,2 mm replace 146 with 162.

For captive nut 4-40 UNC replace 1ATN with 1AUN and 1APN with 1A6N.

### Pin



- For contact cavity arrangements, see page 52.
- For pcb hole pattern, see page 68 – 71.
- For mounting methods, see page 86 – 87.
- For panel cut-outs, see our D Subminiature catalogue.



### Dimensions

Shell size	A	B	C	D	E	F	L	W
DD	±0,38	±0,13	±0,13	±0,13	±0,13	±0,25	+ 0,2	±0,4
DD	66,95	52,8	61,1	11,1	15,4	10,8	0,9	6,85