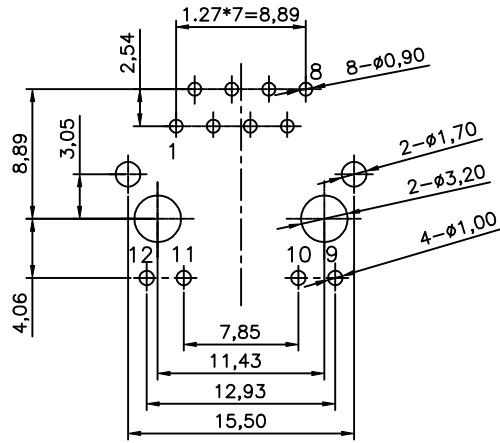
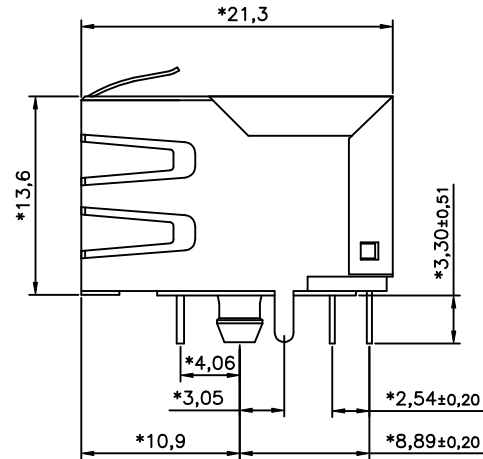
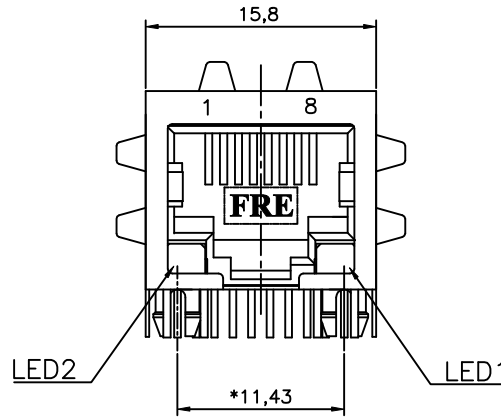


REVISION RECORD				
REV	ECO	DESCRIPTION	DRFT	CHKD
△		P/N MODIFY	Jake 10/18/05	



PC Board Layout Component Side Shown  
PC Board =1.60 mm t



**NOTES:**

**ELECTRICAL:**

- VOLTAGE RATING : 125 VAC RMS .
- CURRENT RATING : 1.5 AMP .
- CONTACT RESISTANCE : 45 MILLIOHMS MAX.
- INSULATION RESISTANCE: 1000 MEGOHMS MIN @ 500 VDC.
- DIELECTRIC STRENGTH : 1000 VAC RMS 60Hz, 1MIN.
- WAVELENGTH: GREEN: 565±5 nm, ORANGE: 613±5 nm

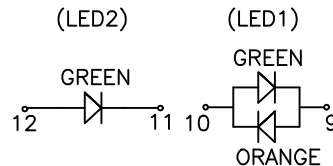
**MECHANICAL:**

- HOUSING MATERIAL : FR52 UL94V-0.
- CONTACT MATERIAL : PHOSPHOR BRONZE t=0.35mm.
- PLATING : GOLD PLATING OVER NICKEL.
- OPERATING LIFE : 750 CYCLES MIN.
- PCB RETENTION PRE-SOLDER : 1 LB MIN.
- PCB RETENTION POST-SOLDER: 10 LBS MIN.

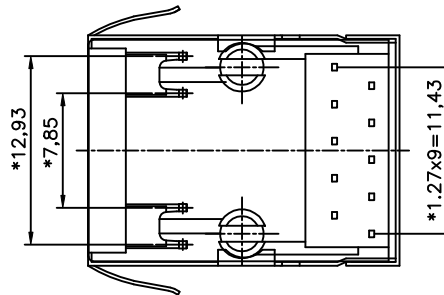
**ENVIRONMENTAL:**

- STORAGE : -40°C TO +85°C.
- OPERATION: -40°C TO +85°C.
- SOLDERING TEMPERATURE: 255~265°C 5~10 SECONDS

MATES WITH MODULAR PLUG CONFORMING TO  
FCC PART 68, SUBPART F.  
UL FILE NO. E163191



LED COLOR DISPLAY



RoHS COMPLIANT

△ RoHS PART NUMBER: E5J88-19LJP3-L (intel P/N: C29524-002)

<p>← MM (INCH) →</p> <p>TOLERANCES EXCEPT AS NOTED</p>		<p>DFTO Jake DATE 10/12/05</p> <p>CHKDANKUE DATE2005/10/20</p> <p>MFO DATE</p> <p>APPVLU SHENG DATE2005/10/20</p> <p>MATERIAL :</p>	<p><b>FULL RISE ELECTRONIC CO., LTD</b></p>	
<p>DETAILED LISTS</p> <p>MM ±</p> <p>.0 ±0.20 ±</p> <p>.00 ±0.15 ±</p> <p>.000 ±0.075 ±</p> <p>ANGLES ± 0.5</p> <p>THIRD ANGLE PROJECTION</p>	<p>QTY :</p> <p>FINISH :</p> <p>SCALE : 2.5 : 1</p>	<p>TITLE</p> <p><b>SIDE ENTRY LED JACK</b></p>		<p>DRAWING NO. GE5J3342-LA</p> <p>/PART NO. SEE NOTE</p>
		<p>DO NOT SCALE DRAWING</p>		<p>SIZE A3</p> <p>REV 1</p> <p>10/18/05</p>
		<p>SHEET 1 OF 1</p>		