

# Hard Metric Backpanel Connector

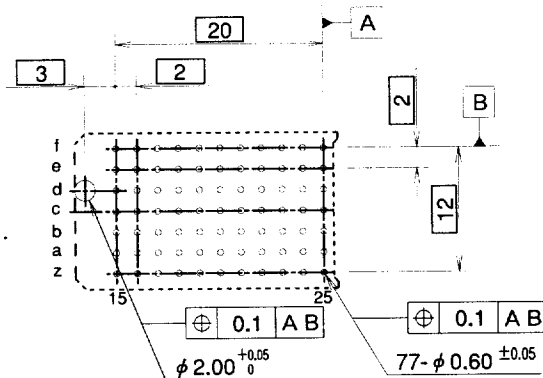
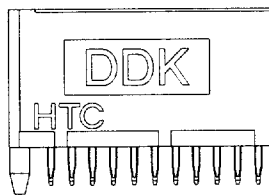
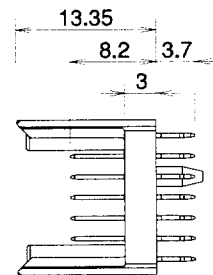
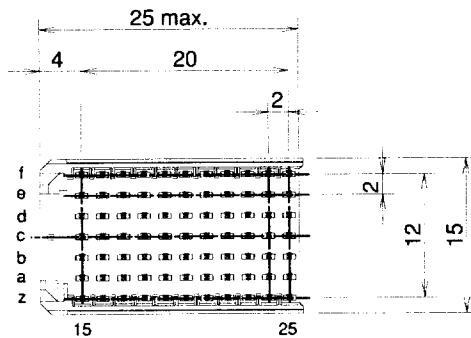


IEC 1076-4-101 fixed board modules style C [ Reversed ]

P/N: HTC-PFR77-S1A

Unit:mm

- 1: Mating area 0.76  $\mu$  Gold plating
- 2: Mating area 0.40  $\mu$  Gold plating



PCB Mounting dimensions  
(connector mount side)

Note: See page 18 for different contact alignment.