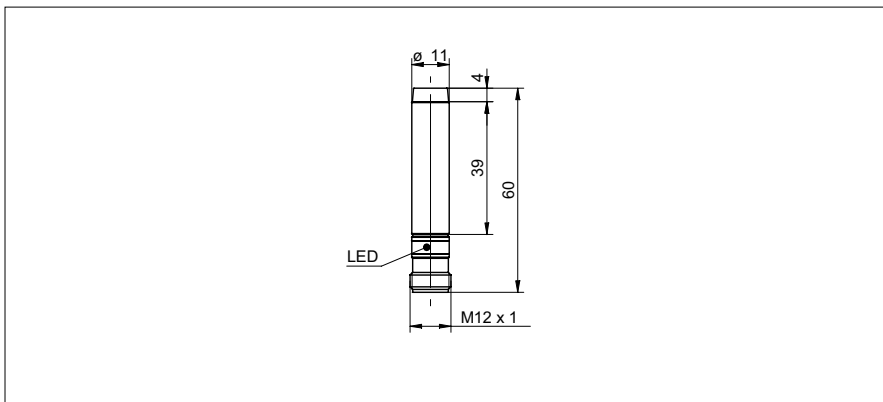


Inductive proximity switch

IFBR 11 (Sn = 6 mm)

sample drawing



general data

| | |
|-----------------------------|------------------|
| mounting type | unshielded |
| special type | Hygiene design |
| nominal sensing distance Sn | 6 mm |
| hysteresis | 2 ... 15 % of Sr |
| output indicator | LED red |

electrical data

| | |
|--|---------------|
| switching frequency | < 1 kHz |
| voltage supply range +Vs | 10 ... 30 VDC |
| current consumption max. | 10 mA |
| voltage drop Vd | < 2 VDC |
| output current | < 200 mA |
| output current (at cleaning temperature) | < 100 mA |
| short circuit protection | yes |
| reverse polarity protection | yes |

mechanical data

| | |
|-------------------------|-----------------------------------|
| type | cylindrical smooth |
| material (sensing face) | LCP |
| housing material | stainless steel 1.4404 (V4A); LSR |
| dimension | 11 mm |

cable PVC, 2 m

| | |
|----------------|-------|
| housing length | 55 mm |
|----------------|-------|

connector M12

| | |
|----------------|-------|
| housing length | 60 mm |
|----------------|-------|

ambient conditions

| | |
|-----------------------|-----------------------------|
| operating temperature | -40 ... +80 °C |
| cleaning temperature | 80 ... +100 °C (30 min/day) |
| protection class | IP 68/69K, proTect+ |

sample picture



Inductive proximity switch**IFBR 11 (Sn = 6 mm)**

| order reference | connection types | output circuit |
|----------------------------|-------------------------|-------------------------|
| IFBR 11N13T1/L-9 | cable PVC, 2 m | NPN make function (NO) |
| IFBR 11N13T1/S14L-9 | connector M12 | NPN make function (NO) |
| IFBR 11N33T1/L-9 | cable PVC, 2 m | NPN break function (NC) |
| IFBR 11N33T1/S14L-9 | connector M12 | NPN break function (NC) |
| IFBR 11P13T1/L-9 | cable PVC, 2 m | PNP make function (NO) |
| IFBR 11P13T1/S14L-9 | connector M12 | PNP make function (NO) |
| IFBR 11P33T1/L-9 | cable PVC, 2 m | PNP break function (NC) |
| IFBR 11P33T1/S14L-9 | connector M12 | PNP break function (NC) |