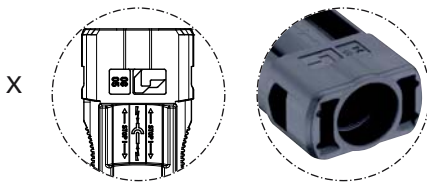
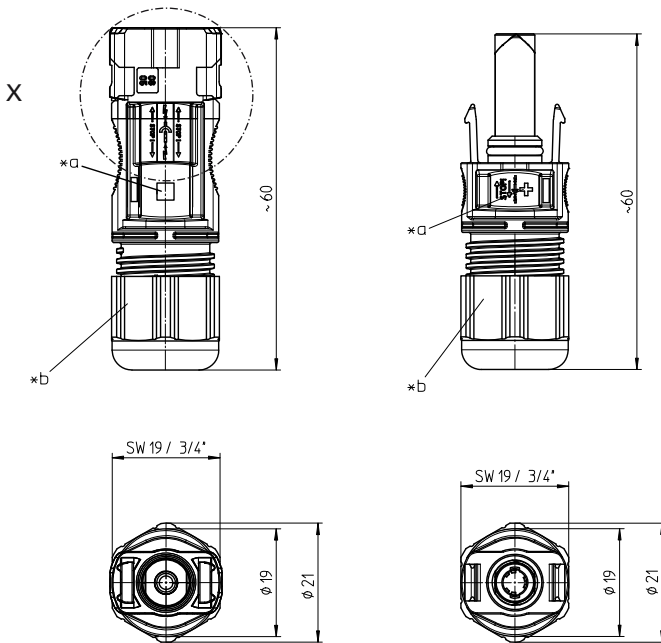



**LC4-CP 30**

**LC4-CP 31**

**LC4-CP 30 IT**

\*a marking + on LC4-CP 3...-1, - on LC4-CP 3...-2  
 \*b hexagonal cap nut

**Standard packaging: pre-assembled, contacts in bulk, sorted in plastic bags of 50 pieces, in a cardboard box**

**LC4-CP 30**  
**LC4-CP 31**

LC4® photovoltaic connector, field-attachable, with integrated locking and crimp contact

LC4-CP 30: plug

LC4-CP 31: socket

<b>1. Temperature range</b>	-40 °C/+85 °C (IEC) -40 °C/+90 °C (UL) (+110 °C upper limit temperature)
<b>2. Materials</b>	halogen-free, UV-resistant Insulating body: m-PPE, V0 according to UL 94 Contact pin/bush: CuNiSi, tinned Seal: NBR Cap nut: m-PC, V1 according to UL 94
<b>3. Mechanical data</b>	Insertion force <sup>1</sup> : ≤ 20 N Withdrawal force <sup>1</sup> : ≥ 10 N Retaining force of locking latches <sup>2</sup> : ≥ 90 N Mating cycles <sup>2</sup> : 50 Tightening torque cap nut: 3.5–4.5 Nm Mating with: photovoltaic connectors LC4 Protection degree <sup>3</sup> : IP 68 <b>Connectable conductors crimp terminal</b> Photovoltaic cable, double-insulated <sup>4</sup> Section LC4-CP 3... 2.5: 2.5 mm <sup>2</sup> (AWG 14) Section LC4-CP 3... 4.0/6.0: 4.0 mm <sup>2</sup> (AWG 12), 6.0 mm <sup>2</sup> (AWG 10) Cable diameter: 6.3–7.8 mm Approved cables on the Internet site <a href="http://www.lumberg.com">www.lumberg.com</a>
<b>4. Elektrische Daten</b> (at T <sub>amb</sub> 20 °C)	Contact resistance <sup>2</sup> : ≤ 1 mΩ Rated current (IEC) <sup>2</sup> LC4-CP 3... 2.5: 22 A at T <sub>amb</sub> 85 °C LC4-CP 3... 4.0/6.0: 30 A at T <sub>amb</sub> 85 °C Rated current (UL) <sup>2</sup> : 35 A at T <sub>amb</sub> 20 °C, both Rated voltage <sup>5</sup> : 1000 V DC (IEC)/600 V DC (UL) Overvoltage category <sup>5</sup> : III (8 kV) Material group <sup>5</sup> : I (IEC)/0 (UL) (CTI > 600) Creepage distance/Clearance <sup>2</sup> between contact and touchable surfaces: 28.3 mm contact and cable outlet: 21.2 mm Isolationwiderstand: > 10 GΩ

<sup>1</sup> measured with a polished steel gauge, nominal thickness 4.0 mm  
<sup>2</sup> measured with a proper counterpart according to IEC 60529/DIN EN 60529  
<sup>3</sup> only in mated condition with a proper counterpart  
<sup>4</sup> IP X8 requirements under agreement between manufacturer and user wire construction preferably according to IEC 60228 class 5, otherwise crimp connection must be tested  
<sup>5</sup> according to DIN EN 60664/IEC 60664 resp. according to ANSI/UL 746A


**Composition of type designation**

Series: LC3 or LC4	Series: LC3 or LC4
Type of product	Type of product
CP Connector Part	CP Connector Part
Configuration	Configuration
30 field-attachable plug	30 field-attachable plug
31 field-attachable socket	31 field-attachable socket
Polarity	Polarity
-1 +	-1 +
-2 -	-2 -
Locking option	Locking option
IT Internal locking is only unlockable with a Tool, otherwise it can be unlocked manually	IT Internal locking is only unlockable with a Tool, otherwise it can be unlocked manually
Cable section	Cable section
2.5 2.5 mm <sup>2</sup> (AWG 14)	2.5 2.5 mm <sup>2</sup> (AWG 14)
4.0/6.0 4.0 mm <sup>2</sup> (AWG 12) and 6.0 mm <sup>2</sup> (AWG 10)	4.0/6.0 4.0 mm <sup>2</sup> (AWG 12) and 6.0 mm <sup>2</sup> (AWG 10)
Package unit option	Package unit option
50 pieces (standard, pre-assembled, contacts in bulk)	50 pieces (standard, pre-assembled, contacts in bulk)
VP7 500 pieces (pre-assembled, contacts in bulk)	VP7 500 pieces (pre-assembled, contacts in bulk)
VP19 50 pieces (one plastic bag per connector, pre-assembled, contacts in bulk)	VP19 50 pieces (one plastic bag per connector, pre-assembled, contacts in bulk)
<b>LC4-CP 30-1 IT 4.0/6.0 VP7</b>	<b>LC4-CP 30-1 IT 4.0/6.0 VP7</b>