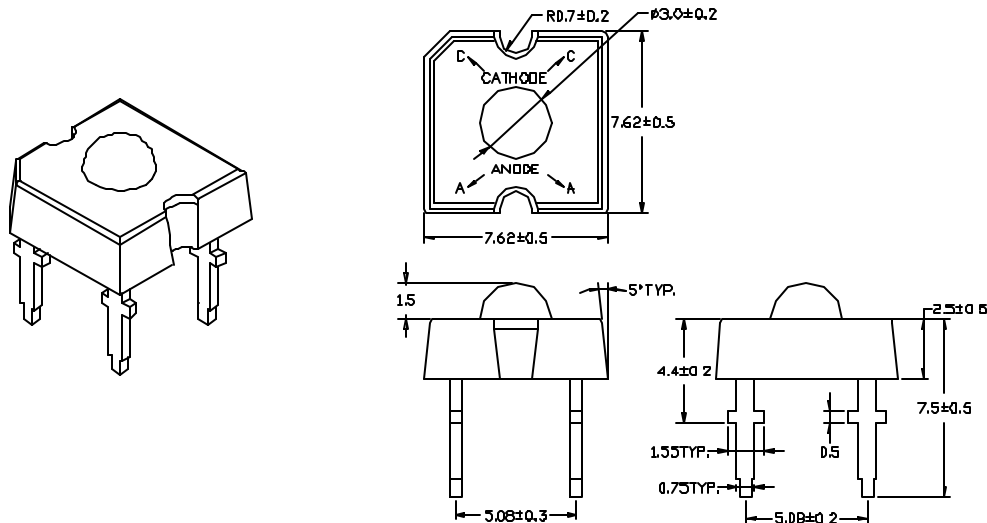


**High Flux LED 7.6mm x 7.6mm, P4 (piranha type)**

**LTP400**



Notes: All dimensions are in mm (inch)  
Tolerance is  $\pm 0.25$  mm(0.01") unless otherwise specified

**Electro-optical Characteristic: ( $T_a = 25^\circ \text{C}$ )**

Part No.	Wavelength (nm)		Forward Voltage $I_F=20\text{mA}$ (V)		Reverse Current $V_R=5\text{V}$ ( $\mu\text{A}$ )	Luminous Intensity (20mA)	Viewing Angle $2\theta_{1/2}$
	$\lambda_{\text{Peak}}$	D?	Typ.	max	max	Typ. (mcd)	(deg.)
LTP400-RTC	630	35	2.0	2.6	50	360	70
LTP400-YTC	586	20	2.02	2.4	50	320	70
LTP400-WHC	—	—	3.5	4.0	50	200	70
LTP400-BHC	470	30	3.5	—	50	140	70
LTP400-GHC	525	30	3.5	—	50	160	70

**Features**

- High current operation and high flux output
- Low thermal resistance and low profile
- Wide viewing angle

**Description**

The P4 (piranha type) is a clear lensed 7.6mm x 7.6mm square four-leaded package. This low profile design improves power dissipation and allows higher operating currents. Ideal applications for this product include emergency lighting, channel letters, interior/exterior automotive and truck lighting, strip lighting, outdoor signage and general illumination.