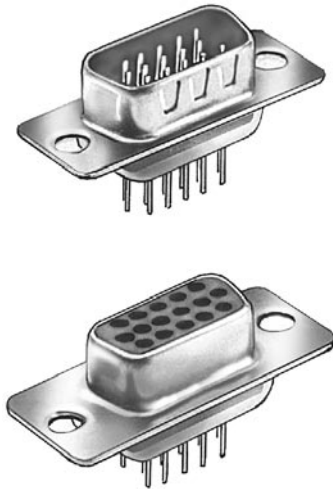


High Density D-Sub Straight PCB Tail M21 Series



PART NUMBER LEGEND

M21XHD - XXX - XX - XX

MOUNTING FACE MOUNTING OPTIONS

- 01 = .120" dia. mounting holes
- 02 = Riveted #4-40 Clinch Nuts
- 03 = Riveted #4-40 Jackscrews
- 04 = Riveted #4-40 Standoffs with boardlocks

TAIL

- 02 = .180" Solder Tail

POSITIONS

- 15, 26, 44, 62, 78

CONTACT TYPE

- P = Plug
- S = Socket

PLATING

- S = 5 µin Gold Nominal
- 8 = 30 µin Select Gold Nominal

OPTIONS: (Add to the end of part number)

WH = White color insulator

SPECIFICATIONS:

Material:

Shell: Steel, tin-plated

Insulator: Polybutylene Terephthalate (PBT), glass reinforced thermoplastic, rated UL 94V-0

Insulator color: Black

Optional color: White

Contacts: Plug - Brass; Socket - Phosphor Bronze

Riveted clinch nuts, standoffs and boardlocks: Brass, nickel-plated

Plating:

Per MIL-G-45204, Type II, Grade C on contact area over 50 µin nominal nickel underplate to QQ-N-290, Class 2, Grade C, gold flash on solder-pins

Electrical:

Operation voltage: 250 VDC max

Current rating: 3 Amps max

Contact resistance: 20 mΩ max

Insulation resistance: 3000 MΩ min @ 500 VDC between adjacent contacts

Dielectric withstanding voltage: 1000 VAC RMS (sea level)

Capacitance: 2 pF max between adjacent contacts

Environmental:

Operating Temperature: -55°C to +105°C

MATING OPTIONS:

Mates with Methode High Density D-Sub Series M21 and M22, and all industry standard High Density D-Subminiature Connectors.

ACCESSORIES:

Backshells, dustcovers

PACKAGING:

Anti-static plastic trays available

APPROVALS AND CERTIFICATIONS:

Select parts recognized under the component program of Underwriters Laboratories, Inc. No. E167232

Certified by Canadian Standards Association No. LR75112



North and South America:

Methode Electronics, Inc. Connector Products

1700 Hicks Road • Rolling Meadows, IL 60008 USA

847-392-3500 • Toll Free: 800-323-6864 • Fax: 847-392-9404

Email: info@methode.com • Web: www.methode.com/connector/index.html

Europe:

Methode Electronics Ireland, Ltd.

Unit H, Crossagalla Business Park, Ballysimon Rd. • Limerick, Ireland

+353 (0) 61 401222 • Fax: +353 (0) 61 401942

Email: info@methode.ie • Web: ireland.methode.com/main.html

Far East:

Methode Electronics Far East, Pte. Ltd.

1 Tuas Lane, Jurong Town • Singapore 638610

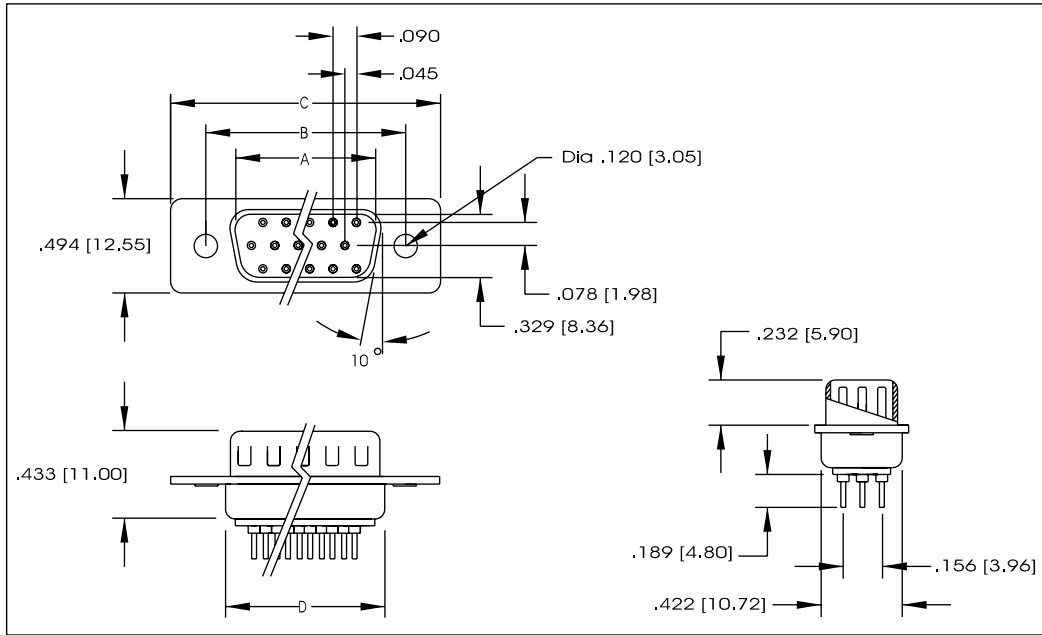
65-68615444 • Fax: 65-68614777

Email: sales@methode.com.sg • Web: www.methode.com/mefe/index.html

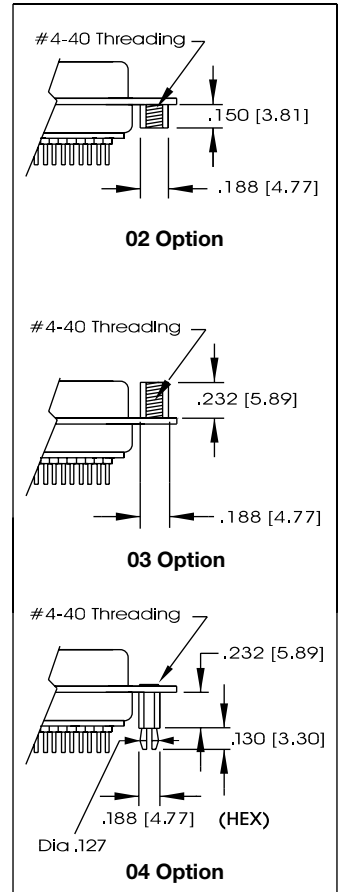
High Density D-Sub Straight PCB Tail M21 Series



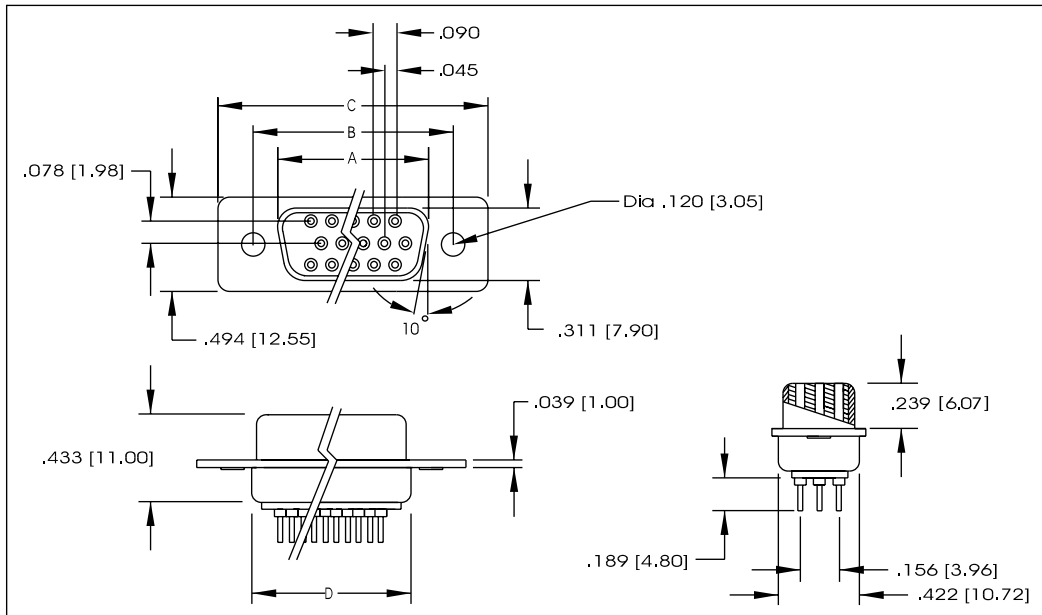
PLUG ASSEMBLY



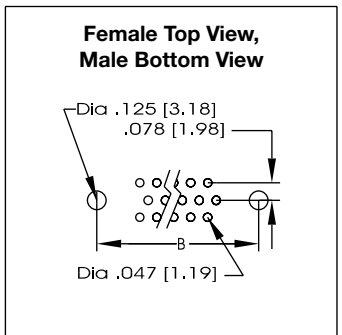
MOUNTING



SOCKET



PC Board Layout



Unit: Inch / mm

Dimensional: Socket Assembly				Dimensional: Plug Assembly			
CONTACTS	A	B	C	CONTACTS	A	B	C
15	.643 (16.33)	.984 (24.99)	1.213 (30.81)	15	.666 (16.92)	.984 (24.99)	1.213 (30.81)
26	.971 (24.66)	1.312 (33.32)	1.541 (39.14)	26	.994 (25.25)	1.312 (33.32)	1.541 (39.14)
44	1.511 (38.38)	1.852 (47.04)	2.088 (53.04)	44	1.534 (38.96)	1.852 (47.04)	2.088 (53.04)
62	2.159 (54.84)	2.500 (63.50)	2.729 (69.32)	62	2.182 (55.42)	2.500 (63.50)	2.729 (69.32)
78	2.064 (52.43)	2.406 (61.11)	2.635 (66.93)	78	2.079 (52.81)	2.406 (61.11)	2.635 (66.93)



North and South America:
Methode Electronics, Inc. Connector Products
 1700 Hicks Road • Rolling Meadows, IL 60008 USA
 847-392-3500 • Toll Free: 800-323-6864 • Fax: 847-392-9404
 Email: info@methode.com • Web: www.methode.com/connector/index.html

Europe:
Methode Electronics Ireland, Ltd.
 Unit H, Crossagalla Business Park, Ballysimon Rd. • Limerick, Ireland
 +353 (0) 61 401222 • Fax: +353 (0) 61 401942
 Email: info@methode.ie • Web: ireland.methode.com/main.html

Far East:
Methode Electronics Far East, Pte. Ltd.
 1 Tuas Lane, Jurong Town • Singapore 638610
 65-68615444 • Fax: 65-68614777
 Email: sales@methode.com.sg • Web: www.methode.com/mefe/index.html