



**MOTOROLA**  
Semiconductor Products Sector

---

Order Number: MS140131KT/D  
Rev. 5.0, 5/2001

# **Short Haul Loop Dual PCM Codec-Filter/SLIC Chipset with GCI Interface**

:

# CONTENTS

## Section 1 Overview

1.1	Introduction: MC1420232 CODSP and MC1430132 SHLIC. . . . .	1-1
1.2	Key Features . . . . .	1-1

## Section 2 Applications

2.1	Recommended External Components . . . . .	2-3
2.2	Overvoltage Protection . . . . .	2-3

## Section 3 Pin Descriptions

3.1	Device Pinouts . . . . .	3-1
3.2	MC1420232 Pin Descriptions . . . . .	3-2
3.3	MC1430132 Pin Descriptions . . . . .	3-4
3.4	Unused Pins . . . . .	3-5
	3.4.1 CODSP . . . . .	3-5
	3.4.2 SHLIC . . . . .	3-5
3.5	Note on Decoupling . . . . .	3-6
	3.5.1 CODSP Decoupling . . . . .	3-6
	3.5.2 SHLIC Decoupling . . . . .	3-6

## Section 4 Functional Characteristics of the SH-POTS System

4.1	On-Hook Conditions . . . . .	4-1
4.2	Ring Injection . . . . .	4-3
	4.2.1 Balanced Ringing . . . . .	4-3
	4.2.2 Semi-Unbalanced Ringing . . . . .	4-4
4.3	DC Feed Characteristics . . . . .	4-4
	4.3.1 Battery Voltage and Reversal . . . . .	4-5

## Contents

4.4	AC Transmission Characteristics (MS140131KT System).....	4-6
4.4.1	Transmit and Receive Filter Characteristics.....	4-6
4.4.2	Transmit and Receive Gain .....	4-7
4.4.3	Source Impedance ( $Z_{CO}$ ).....	4-7
4.4.4	Balance Impedance (Echo Canceller) .....	4-8
4.5	Metering.....	4-8
4.5.1	Metering Injection .....	4-8
4.5.2	Metering Characteristics.....	4-10
4.6	Tone Generation .....	4-10
4.7	CODSP Clock Recovery PLL.....	4-14
4.7.1	User-Defined I/O Pins .....	4-14
4.7.2	Test Functions.....	4-14

## Section 5 Electrical Characteristics

5.1	Absolute Maximum Ratings .....	5-1
5.2	Operating Conditions.....	5-1
5.3	Thermal Shutdown SHLIC .....	5-2
5.3.1	Transient Energy Capability .....	5-2
5.4	DC Characteristics (MC1430132 SHLIC, Unless Otherwise Noted) .....	5-2
5.4.1	Power-On Reset .....	5-3
5.4.2	$V_{DD3}$ Regulator.....	5-4
5.4.3	DCO DC Levels, Impedances .....	5-6
5.4.4	VAG Analog Ground Input .....	5-6
5.4.5	DC Loop Filter .....	5-7
5.4.6	DCC Input Pin .....	5-7
5.4.7	Characteristics for the Digital I/O Pins .....	5-8
5.4.8	Test Switch .....	5-9
5.4.9	Battery Switch .....	5-9
5.5	AC Characteristics (SHLIC) .....	5-10
5.5.1	Receive Path .....	5-11
5.5.2	Transmit Path .....	5-11
5.5.3	Overpower and Short Circuit Protection .....	5-11
5.6	Off-Hook Characteristics (MS140131KT System).....	5-13

## Section 6 Detailed Programming Description

6.1	GCI Interface.....	6-1
6.2	Timeslot Address.....	6-2
6.3	SH-POTS GCI Interface: Timing .....	6-3
6.4	C/I Bits.....	6-4
6.5	Monitor Channel .....	6-4

6.6	ID Request . . . . .	6-4
6.7	Read Command . . . . .	6-5
6.8	Write Command. . . . .	6-5
6.9	Memory Map of the CODSP. . . . .	6-5
6.10	Data RAM — MemID = 2. . . . .	6-6
6.11	LBO Register. . . . .	6-7
6.12	Alarm Bits . . . . .	6-8
6.13	Meaning and Default Values of the Parameters. . . . .	6-8
6.14	Coprocessor Coefficient RAM — MemID = 4. . . . .	6-11
6.15	Meaning and Default Values of the Parameters. . . . .	6-12
6.16	Shared Memory — MemID = 5 . . . . .	6-14
6.17	Meaning and Default Values of the Parameters. . . . .	6-14

## Section 7

### Mechanical Specifications

7.1	MC1420232 Package Dimensions. . . . .	7-1
7.2	MC1430132 Package Dimensions. . . . .	7-2
7.3	Recommended Pad Layout for 44-Lead TQFP MC1420232 . . . . .	7-3



# FIGURES

1-1.	Block Diagram . . . . .	1-2
2-1.	Typical SH-POTS Application . . . . .	2-1
2-2.	Application Schematic for Two Analog Lines . . . . .	2-2
2-3.	Recommended Overvoltage Protection Options . . . . .	2-4
3-1.	Pin Assignments . . . . .	3-1
3-2.	MC1420232 CODSP Recommended Power-Supply Decoupling Arrangements . . . . .	3-7
4-1.	SH-POTS Line Voltages — Example . . . . .	4-1
4-2.	Nominal Hookswitch Detection Thresholds (Default Values) . . . . .	4-2
4-3.	Application Suggestion for Semi-Unbalanced Ringing Injection . . . . .	4-4
4-4.	DC Feed Characteristics . . . . .	4-5
4-5.	Transmit and Receive Frequency Response (Default) . . . . .	4-6
4-6.	Relative Group Delay, Transmit and Receive Paths (Digital-to-Digital) Referred to 1 kHz . . . . .	4-7
4-7.	Three-Element $Z_{CO}$ Model . . . . .	4-8
4-8.	Metering Pulse Timing Diagrams . . . . .	4-9
5-1.	Block Diagram Showing Gains in Various Signal Paths in SHLIC . . . . .	5-10
5-2.	Short Circuit Protection . . . . .	5-12
6-1.	GCI Data Exchange . . . . .	6-1
6-2.	GCI Timing Diagram . . . . .	6-3
7-1.	Recommended Pad Layout for 44-Lead TQFP MC1420232 . . . . .	7-3

# TABLES

2-1.	Recommended External Components . . . . .	2-3
3-1.	Pin Descriptions for MC1420232 CODSP . . . . .	3-2
3-2.	Pin Descriptions for MC1430132 SHLIC . . . . .	3-4
3-3.	MC1420232 CODSP Unused Pin Connections . . . . .	3-5
3-4.	MC1430132 SHLIC Unused Pin Connections . . . . .	3-6
4-1.	On-Hook Characteristics . . . . .	4-2
4-2.	Ringing Characteristics . . . . .	4-3
4-3.	DC Feed Characteristics [ $R_{\text{feed}} = 60 \Omega$ Total ( $50 \Omega + 10 \Omega$ Protection) x 2] . . . . .	4-5
4-4.	Examples of $Z_{\text{CO}}$ Coefficients . . . . .	4-8
4-5.	Metering Characteristics (Determined by MC1420232 CODSP) . . . . .	4-10
4-6.	Tone Signal Levels (Common Values) . . . . .	4-11
4-7.	Tone Generator Division Values for Common Frequencies from ETS-300-001 and DTMF Tones . . . . .	4-12
4-8.	Required Frequency Setting Values (N) for a Melody Generator (Western Equal-Tempered Scale) . . . . .	4-13
5-1.	Absolute Maximum Ratings . . . . .	5-1
5-2.	Operating Conditions . . . . .	5-2
5-3.	Power Supply Currents . . . . .	5-3
5-4.	SHLIC Dissipation . . . . .	5-3
5-5.	Power-On Reset Characteristics . . . . .	5-4
5-6.	$V_{\text{DD3}}$ Regulator Characteristics . . . . .	5-4
5-7.	Voltage Characteristics A Wire (AW), B Wire (BW) . . . . .	5-5
5-8.	Impedance Characteristics A Wire (AW), B Wire (BW) . . . . .	5-5
5-9.	Rx, Tx Characteristics . . . . .	5-6
5-10.	DCO Characteristics . . . . .	5-6
5-11.	VAG Characteristics . . . . .	5-6
5-12.	DC Loop Filter Characteristics . . . . .	5-7
5-13.	DCC Input Characteristics . . . . .	5-7
5-14.	Digital I/O Characteristics . . . . .	5-8
5-15.	Sense Bridge Inputs Characteristics . . . . .	5-8
5-16.	Test Switch Characteristics . . . . .	5-9
5-17.	Ringing Battery Switch Characteristics . . . . .	5-9
5-18.	Typical Gains . . . . .	5-10
5-19.	Short Circuit Protection Characteristics . . . . .	5-12
5-20.	Off-Hook Characteristics (MS140131KT System) . . . . .	5-13
6-1.	GCI Mode and Timeslot Address Programming . . . . .	6-2
6-2.	GCI Interface: Timing Characteristics . . . . .	6-3
6-3.	C/I Bit Allocation . . . . .	6-4
6-4.	Memory Map for CODSP . . . . .	6-6
6-5.	Data RAM: Memory Map . . . . .	6-6



6-6.	LBO Register Description . . . . .	6-7
6-7.	Data RAM: Description and Default Values . . . . .	6-8
6-8.	Coprocessor Coefficient RAM: Memory Map . . . . .	6-11
6-9.	Coprocessor Coefficient RAM: Description and Default Values . . . . .	6-12
6-10.	Shared Memory: Memory Map . . . . .	6-14
6-11.	Shared Memory: Description and Default Values . . . . .	6-14



# SECTION 1

## OVERVIEW

### 1.1 INTRODUCTION: MC1420232 CODSP AND MC1430132 SHLIC

The MS140131KT chipset provides all the functions necessary to connect analog telephone sets or other analog terminals (telefax, answering machines, modems, etc.) into digital communication systems. It provides an economical solution for the traditional “BORS(C)HT” [Battery, Overvoltage, Ringing, Supervision, (Codec), Hybrid, Test] functions found in central-office exchanges, but is optimized for short-range communication [e.g., up to 500 m with 5 RENs (Ringer Equivalence Number) attached]. Virtually all system-dependent parameters can be set under software control, giving an unprecedented flexibility to the system integrator, as well as optimizing the system cost. The digital interface to the SH-POTS (Short Haul, Plain Old Telephone System) chipset uses the industry-standard GCI interface<sup>1</sup>. The system architecture has been designed to offer the most cost-effective solution for short haul systems, yet offers the full flexibility required to meet worldwide analog telephony standards. The MS140131KT chipset is also suitable for Q.552 applications.

The MS140131KT chipset comprises three devices (see Figure 1-1): a pair of high-voltage devices, the Short Haul Line Interface Circuit (SHLIC) which provides the signal and power interface to the analog lines (one per line), and a low-voltage CMOS, DSP-based dual codec/control device (CODSP) which provides all signal processing and control functions for up to two lines.

### 1.2 KEY FEATURES

- Digitally Programmable Transmission and Signalling Characteristics Meet Worldwide Specification Requirements
- Integrated Ringing: Sine or Trapezoid with Auto Cadence
- Metering Injection (12 or 16 kHz)
- Support On-Hook Transmission: ADSI, CLIP
- Battery Reversal
- Codec and AC Parameters ( $Z_{CO}$  and Hybrid) are Fully Programmable (A-Law or  $\mu$ -Law)
- Tone Generators for Signalling and Testing
- Loop Current Control and Monitoring are Programmable

1. The General Circuit Interface (GCI) is an interface specification developed jointly by Alcatel, Italtel, GPT, and Siemens, March 1989, Issue 1.0.

## : Key Features

- Minimal External Components
- Codec and SLIC Functions for Two Lines
- Low-Cost POTS Interface for Short Range
- Standard GCI Interface with Timeslot Assigner
- Test Support (Test Load Switch, Loopback, Tone Generators)
- Supports up to  $-72\text{ V}$  on  $V_{BAT}$  Ring and  $-35\text{ V}$  on  $V_{BAT}$  Speech
- CODSP (Dual Codec) is  $3.3\text{ V}$  with  $5\text{ V}$  Tolerant Input for Low Power Consumption

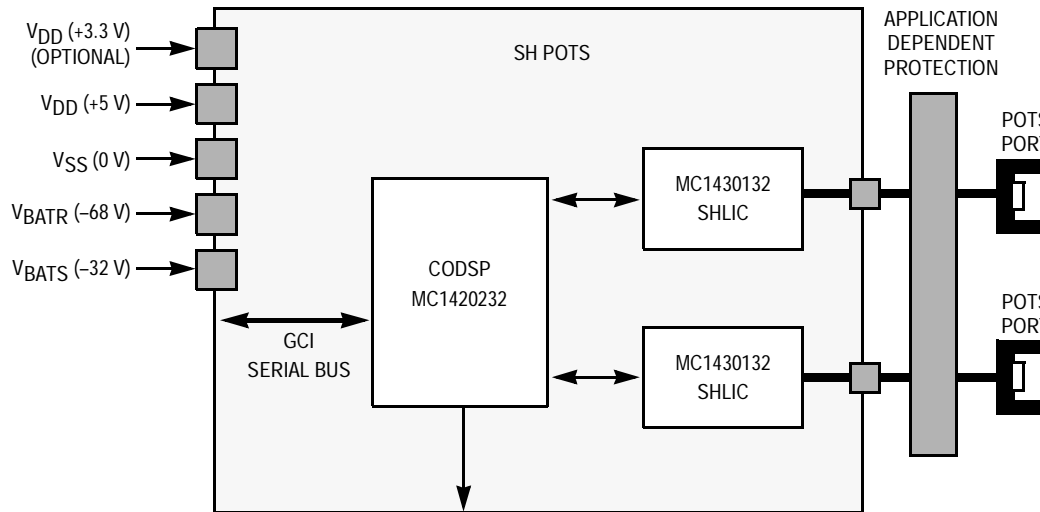


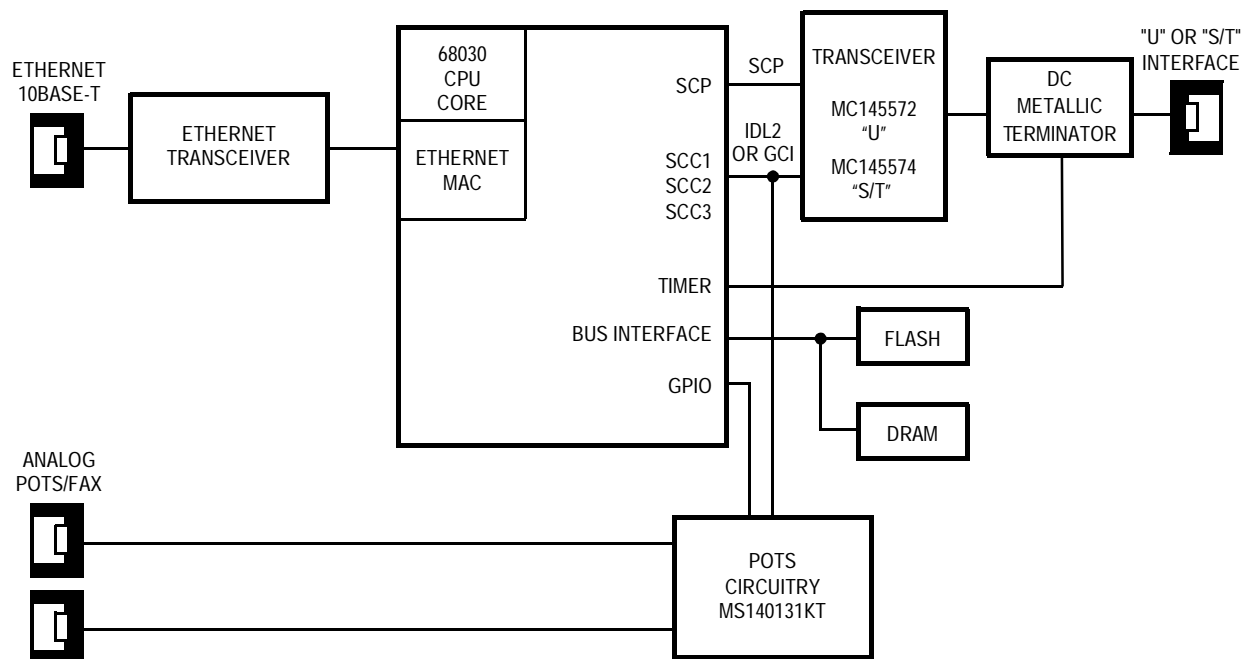
Figure 1-1. Block Diagram

# SECTION 2

## APPLICATIONS

Figure 2-1 shows a typical SH-POTS application using Motorola semiconductor chip solutions. The short haul dual PCM chipset provides all necessary functions to connect analog telephone sets or fax terminals to digital communications systems.

- Advanced ISDN NT (NTplus), Smart NT1 Personal Router
- Analog/Digital PABX
- Cable Telephone Systems (Set-Top Box)
- Remote Telephone Access Systems
  - Fiber to the Curb
  - Radio in the Loop
- Internet Telephones



**Figure 2-1.** Typical SH-POTS Application

Applications:

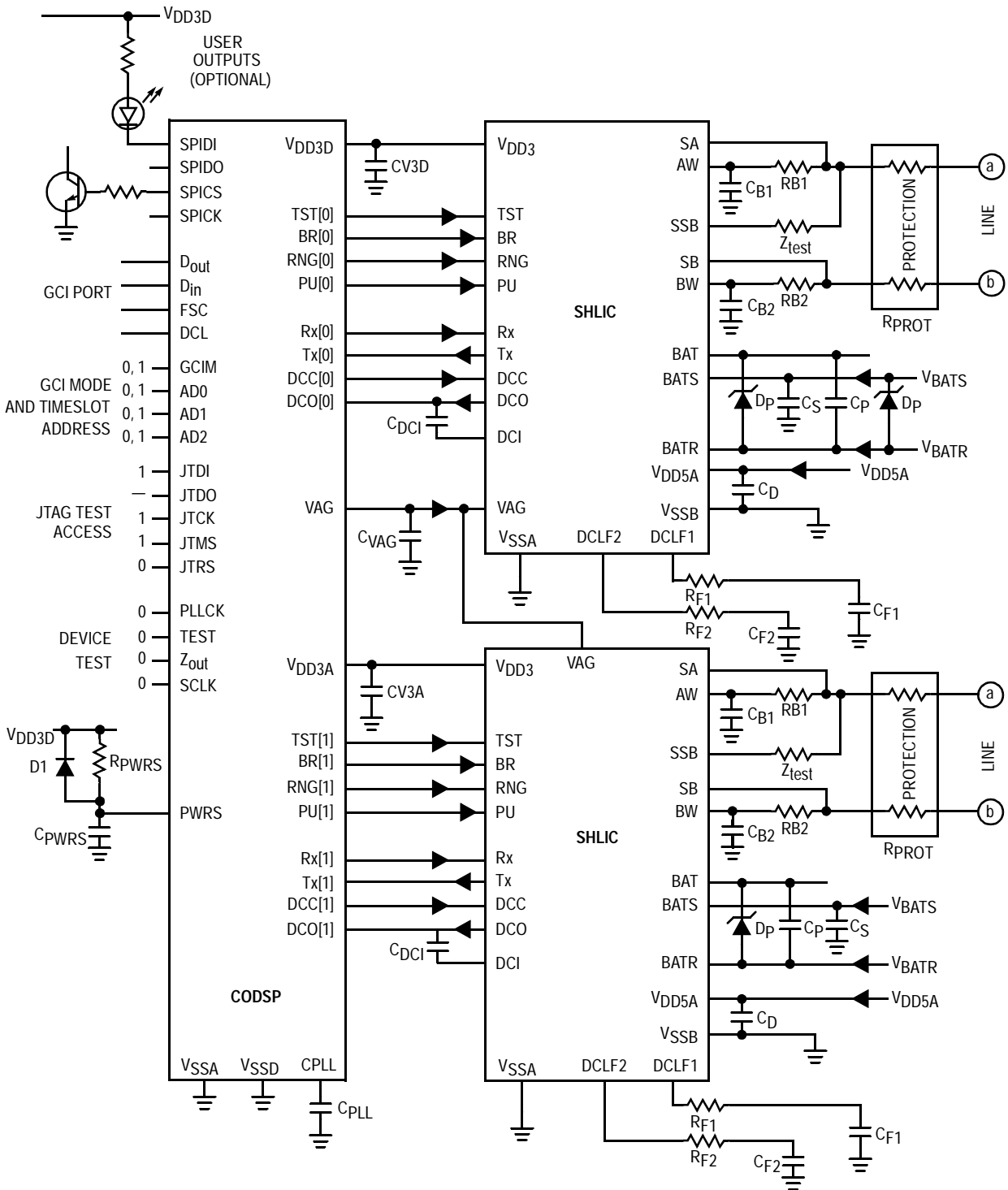


Figure 2-2. Application Schematic for Two Analog Lines

## 2.1 RECOMMENDED EXTERNAL COMPONENTS

**Table 2-1.** Recommended External Components

Component	Function	x	Comment
R <sub>B1</sub> , R <sub>B2</sub>	Feed resistor	50 Ω	1/4 W ±1% (see Note 1)
R <sub>PROT</sub>	Protection resistance	2 x 10 Ω	
Z <sub>test</sub>	Test resistor	510 Ω	1/4 W, optional
R <sub>F1</sub> , R <sub>F2</sub>	DC bias filter	10 kΩ	
C <sub>B1</sub> , C <sub>B2</sub>	No-load stabilization	1 nF	100 V (see Note 2)
C <sub>DCI</sub>	DC feed separation	330 nF	5%
C <sub>F1</sub> , C <sub>F2</sub>	DC bias filter	470 nF	100 V, 10%
C <sub>VAG</sub>	Analog ground decoupling	100 nF	
CV3A	Analog 3.3 V regulator decoupling	10 μF + 100 nF	
CV3D	Digital 3.3 V decoupling	10 μF + 100 nF	
C <sub>S</sub>	Battery supply decoupling	100 nF	100 V
C <sub>PLL</sub>	PLL loop filter	4.7 nF	
C <sub>PWRS</sub>	Power-on reset delay	100 nF	
R <sub>PWS</sub>	Power-on reset delay	100 kΩ	
D <sub>1</sub>	Power loss reset	—	Any small signal diode
D <sub>p</sub>	Battery input protection	—	BAT46 required depending on the power supplies
C <sub>D</sub>	5 V power supply decoupling	100 nF	

- NOTES:**
1. A ±1% results in a maximum longitudinal balance of 40 dB. For higher values, more precise matching is required (e.g., ±0.1% for 46 dB).
  2. Capacitors are generally not required. They are foreseen to stabilize the line driver outputs when active but driving no load (test condition only).

## 2.2 OVERVOLTAGE PROTECTION

There are several recommended overvoltage protection options. The application will determine the most appropriate one to choose (e.g., in-house only systems with minimal protection requirements, or systems with loops outside a protected environment requiring more extended protection).

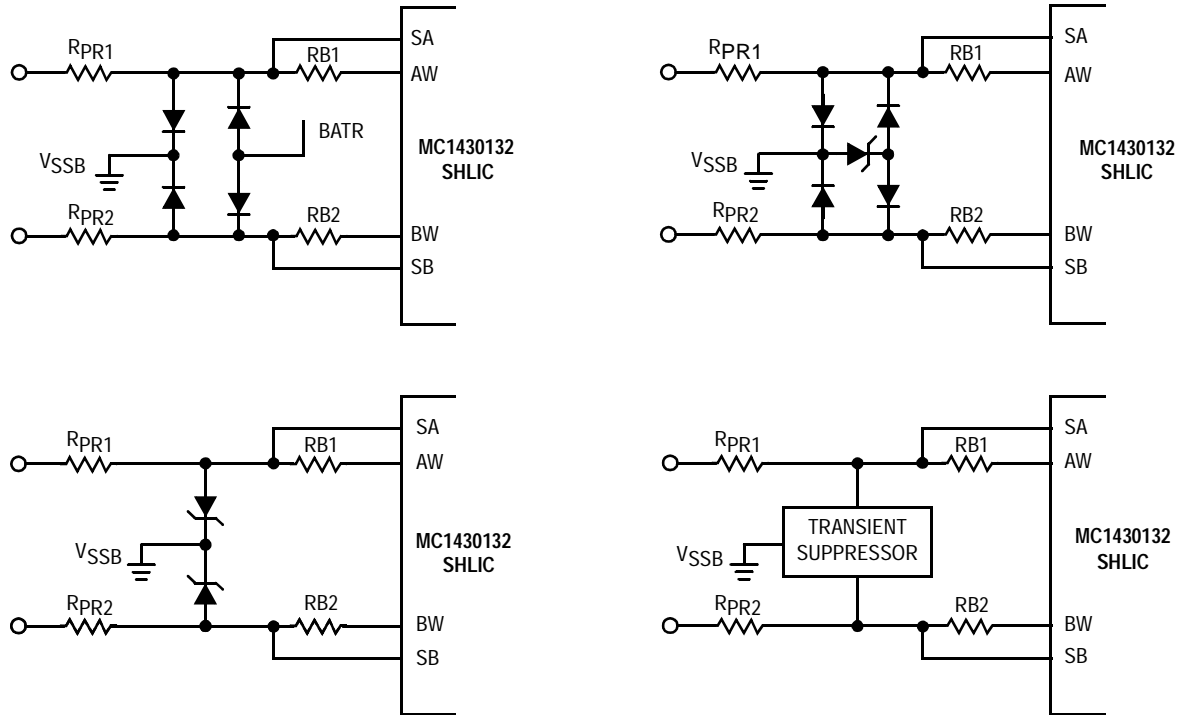
The first external protection network to protect the line circuit against foreign voltages consist of resistors R<sub>PR1</sub> and R<sub>PR2</sub> and an overvoltage protection component (see Figure 2-3). Series resistors R<sub>PR1</sub> and R<sub>PR2</sub> can be PTC, poly-switch, or fusible components.

For further protection, the simplest and cheapest solution is a diode bridge between SA, SB and V<sub>SSB</sub>, BATR, respectively. The diodes must be able to allow current peaks more than 20 A.

In case the battery BATR can not accept these high current peaks, add a voltage clamping component to V<sub>SS</sub>, or a transient suppressor between each line and V<sub>SS</sub>. The clamp voltage or protection voltage minimum must always be larger than the maximum used ringing battery BATR.

## Applications: Overvoltage Protection

The protection components must be dimensioned in such a way that the transient energy on the chip pins AW, BW does not exceed 1 mJoule (or, the energy on-chip because of one lightning pulse).



**Figure 2-3.** Recommended Overvoltage Protection Options



# SECTION 3

## PIN DESCRIPTIONS

### 3.1 DEVICE PINOUTS

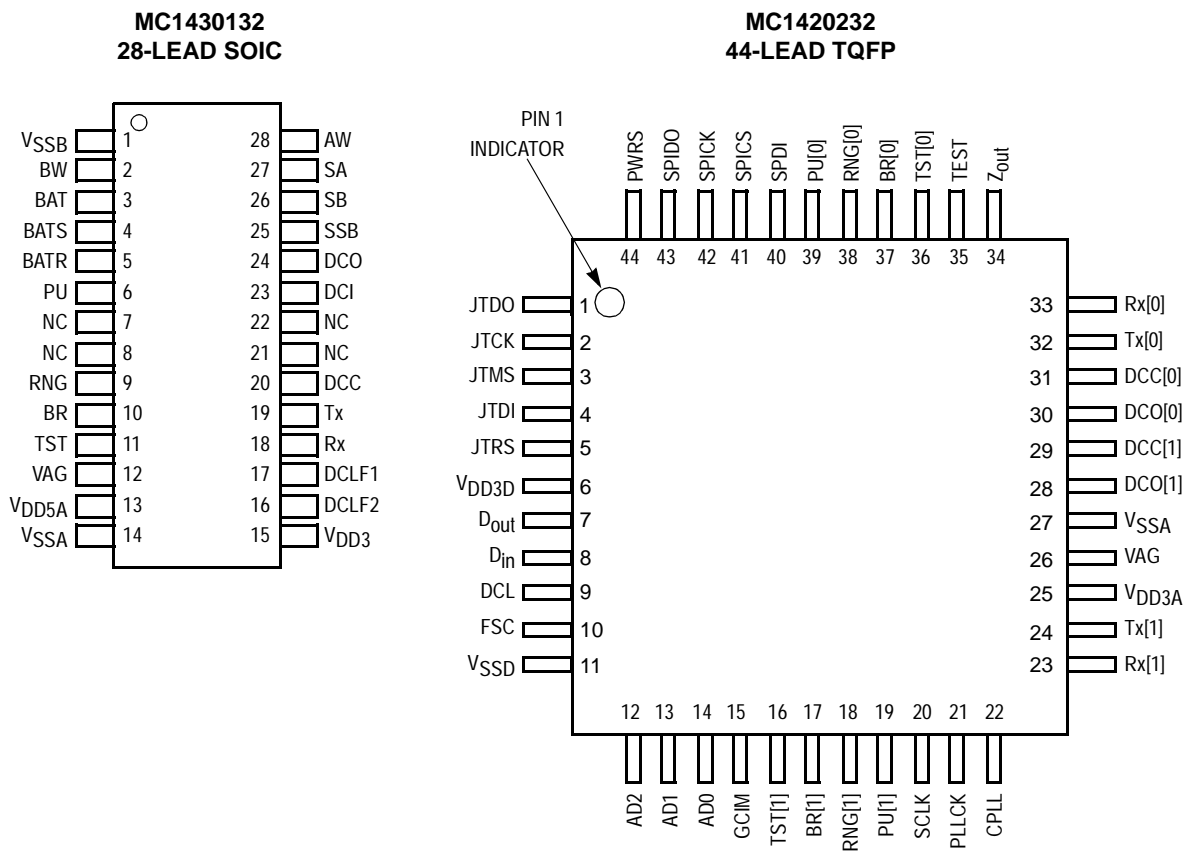


Figure 3-1. Pin Assignments

## 3.2 MC1420232 PIN DESCRIPTIONS

**Table 3-1.** Pin Descriptions for MC1420232 CODSP

Pin Name	Pin No.	Pin Description	Type (See Note)
JTDO	1	JTAG test port data out	DO
JTCK	2	JTAG test port clock	Dlu
JTMS	3	JTAG test port mode select	Dlu
JTDI	4	JTAG test port data in	Dlu
JTRS	5	JTAG test port reset	Dlu
VDD3D	6	Digital section supply voltage	P
D <sub>out</sub>	7	GCI port upstream data	DO5
D <sub>in</sub>	8	GCI port downstream data	DI5
DCL	9	GCI port data clock	DI5
FSC	10	GCI port frame clock	DI5
VSSD	11	Digital ground (0 V)	P
AD2	12	GCI port timeslot select, MSB	DI
AD1	13	GCI port timeslot select	DI
AD0	14	GCI port timeslot select, LSB	DI
GCIM	15	GCI port operating mode (0 = 1 timeslot, 1 = 8 timeslots)	DI5
TST[1]	16	SHLIC 1 test select	DO
BR[1]	17	SHLIC 1 bat reverse control	DO
RNG[1]	18	SHLIC 1 ring control	DO
PU[1]	19	SHLIC 1 power-up control	DB
SCLK	20	System clock (test only)	DI
PLLCK	21	PLL clock (test only)	DI5
CPLL	22	PLL loop filter capacitor	AO
Rx[1]	23	SHLIC 1 Rx analog signal	AO
Tx[1]	24	SHLIC 1 Tx analog signal	AI
VDD3A	25	Analog supply voltage	P
VAG	26	Analog ground reference voltage output	AO
VSSA	27	Analog ground (0 V)	P
DCO[1]	28	SHLIC 1 DC loop output	AI
DCC[1]	29	SHLIC 1 DC loop control	AO
DCO[0]	30	SHLIC 0 DC loop output	AI
DCC[0]	31	SHLIC 0 DC loop control	AO
Tx[0]	32	SHLIC 0 Tx analog signal	AI

**Table 3-1.** Pin Descriptions for MC1420232 CODSP (continued)

Pin Name	Pin No.	Pin Description	Type (See Note)
Rx[0]	33	SHLIC 0 Rx analog signal	AO
Z <sub>out</sub>	34	Digital I/O drive control (test only)	DB
TEST	35	Test mode select (test only)	DId
TST[0]	36	SHLIC 0 test select	DO
BR[0]	37	SHLIC 0 bat reverse control	DO
RNG[0]	38	SHLIC 0 ring control	DO
PU[0]	39	SHLIC 0 power-up control	DB
SPIDI	40	SPI port data in (user I/O)	DB
SPICS	41	SPI port chip-select (user I/O)	DB
SPICK	42	SPI port clock (user I/O)	DB
SPIDO	43	SPI port data out (user I/O)	DB
PWRS	44	Reset input	DIs

**NOTE:** The first letter differentiates between:

- D: Digital
- A: Analog
- P: Power

The second letter differentiates between:

- I: Input
- O: Output
- B: Bidirectional

The third letter differentiates between:

- d: Pin with internal pull-down
- u: Pin with internal pull-up
- s: Pin with Schmitt-trigger input
- 5: 5 V compatible input
- NC: No connect

### 3.3 MC1430132 PIN DESCRIPTIONS

**Table 3-2.** Pin Descriptions for MC1430132 SHLIC

Pin Name	Pin No.	Pin Description	Type
V <sub>SSB</sub>	1	Battery ground (0 V)	P
BW	2	B wire output	AB
BAT	3	Battery voltage (output, do not connect)	P
BATS	4	Battery voltage input, SPEECH mode	P
BATR	5	Battery voltage input, RING mode	P
PU	6	Power-up control	DI
NC	7	Do not connect; thermal conduction pin	NC
NC	8	Do not connect; thermal conduction pin	NC
RNG	9	Ring mode control	DI
BR	10	Battery reverse control	DI
TST	11	Test mode control	DI
VAG	12	Analog ground reference input	P
V <sub>DD5A</sub>	13	Analog supply voltage	P
V <sub>SSA</sub>	14	Analog ground, 0 V	P
V <sub>DD3</sub>	15	3 V regulator output	P
DCLF2	16	DC bias filter capacitor 2	AO
DCLF1	17	DC bias filter capacitor 1	AO
Rx	18	Analog receive signal	AO
Tx	19	Analog transmit signal	AI
DCC	20	DC loop control input	DI
NC	21	Do not connect; thermal conduction pin	NC
NC	22	Do not connect; thermal conduction pin	NC
DCI	23	DC loop control separation filter input	AI
DCO	24	DC loop control output	AO
SSB	25	Loop test resistor switch	AI
SB	26	B wire sense input	AI
SA	27	A wire sense input	AI
AW	28	A wire output	AB

- NOTES:**
1. A  $\pm 1\%$  results in a maximum longitudinal balance of 40 dB. For higher values, more precise matching is required (e.g.,  $\pm 0.1\%$  for 46 dB).
  2. Capacitors are generally not required. They are foreseen to stabilize the line driver outputs when active but driving no load (test condition only).

## 3.4 UNUSED PINS

### 3.4.1 CODSP

Table 3-3 lists the pins on the CODSP that are not connected. Pins that are not used in the application should be connected as described here. Failure to do so could result in excessive sensitivity to RFI or other erratic behavior. A 0 or 1 indicates that the pin should be connected to ground or to the device's digital supply. A “—” indicates that the pin is an output and must be left unconnected.

**Table 3-3. MC1420232 CODSP  
Unused Pin Connections**

Pin Name	Pin No.	Connect To
SPDO	43	—
GCIM	15	0, 1 (GCI mode select)
AD0	14	0, 1 (GCI timeslot select)
AD1	13	0, 1 (GCI timeslot select)
AD2	12	0, 1 (GCI timeslot select)
JTDI	4	1 (V <sub>DD3D</sub> )
JTDO	1	—
JTCK	2	1 (V <sub>DD3D</sub> )
JTMS	3	1 (V <sub>DD3D</sub> )
JTRS	5	0 (V <sub>SS</sub> )
SCLK	20	V <sub>SS</sub>
PLLCK	21	V <sub>SS</sub>
Z <sub>out</sub>	34	V <sub>SS</sub>
TEST	35	V <sub>SS</sub>

### 3.4.2 SHLIC

Table 3-4 lists the pins on the SHLIC that are not connected. The NC pins (7, 8, 21, and 22) are connected to the device substrate, which is at a voltage equal to the V<sub>BATR</sub> supply pin, and may optionally be electrically connected to this pin.

The BAT pin is the internal supply to the line drivers, and adopts the voltage of V<sub>BATR</sub> or V<sub>BATS</sub>, plus the voltage drop across the internal switch, depending on the operating mode. In low-voltage only systems (very short connections), the BAT pins, V<sub>BATR</sub> and V<sub>BATS</sub>, may all be connected together and a single supply (e.g., -27 V) may be used for both ringing and speech modes. (In this mode, the voltage drop of the internal switches is avoided.)

**Table 3-4. MC1430132 SHLIC  
Unused Pin Connections**

Pin Name	Pin No.	Connect To
BAT	3	No connect or see text above
NC	7	No connect or see text above
NC	8	No connect or see text above
NC	21	No connect or see text above
NC	22	No connect or see text above

## 3.5 NOTE ON DECOUPLING

As in any system, the PCB layout and supply decoupling can influence the system performance, particularly with respect to noise.

### 3.5.1 CODSP Decoupling

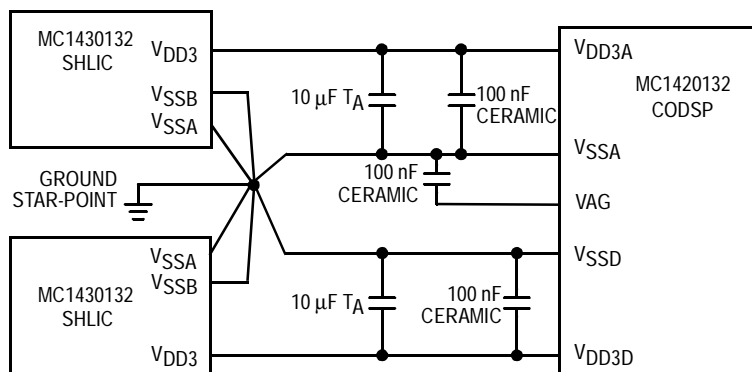
- It is recommended to connect  $V_{DD3D}$  and  $V_{DD3A}$  (digital and analog supply pins) in a star configuration from the supply (either from the SHLIC or from an external supply), and each pin be independently decoupled using 10  $\mu$ F in parallel with 100 nF.

In two-line systems, using the SHLIC regulator to supply only the CODSP (i.e., no other use is made of the regulator), one SHLIC may be used to provide  $V_{DD3D}$  power and the other  $V_{DD3A}$ , thus giving improved decoupling between analog and digital supplies. See Figure 3-2.

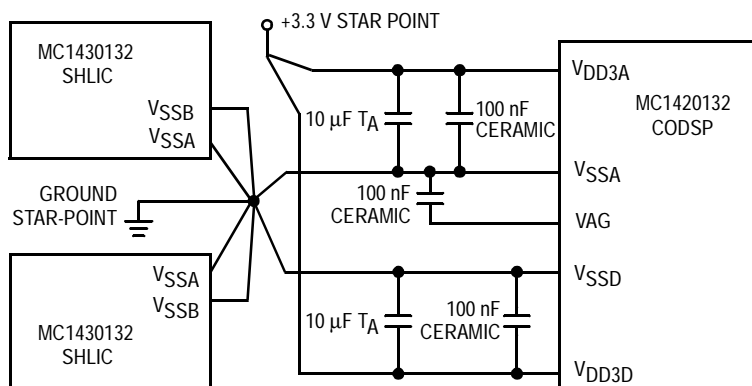
- The VAG line (analog signal reference) must always be properly decoupled using 100 nF, placed as close as possible to the CODSP device.

### 3.5.2 SHLIC Decoupling

- The SHLIC should use separate 100 nF decoupling capacitors between  $V_{DD5A}$  and  $V_{SSB}$ , and  $V_{DD5A}$  and  $V_{SSA}$ . When the on-board regulator of the SHLIC is not used, no capacitor is required at the  $V_{DD3}$  pin.



(a) Arrangement A



(b) Arrangement B

Figure 3-2. MC1420232 CODSP Recommended Power-Supply Decoupling Arrangements





# SECTION 4

## FUNCTIONAL CHARACTERISTICS OF THE SH-POTS SYSTEM

For reference, Figure 4-1 shows the typical voltages on tip and ring during various stages of operation. For detailed electrical parameters, refer to Section 5.

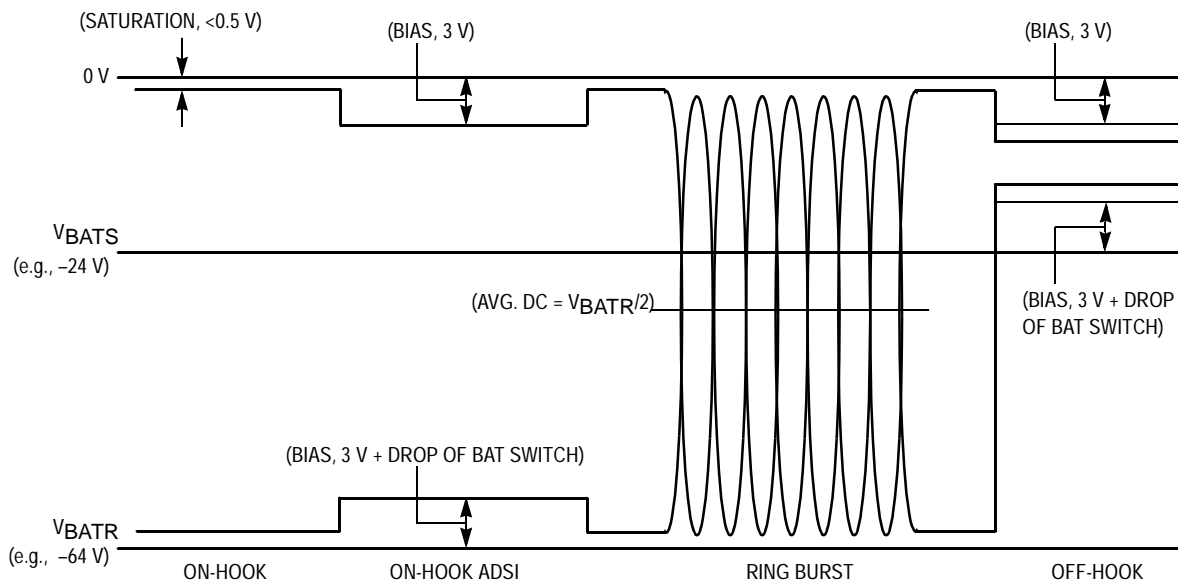


Figure 4-1. SH-POTS Line Voltages — Example

### 4.1 ON-HOOK CONDITIONS

When a line is not in use (on-hook), the designer may select either the speech battery or the ringing battery as the supply to the line drivers. In the on-hook mode, most of the internal circuits are put into a low-power operating mode to minimize supply currents. The A and B wire outputs are effectively connected to the supply voltage, thus applying this voltage (minus a small saturation voltage) to the line. The output is current-limited in this mode, thus protecting against short circuits and limiting any inrush current when a set goes off-hook. If the SHLIC detects a current in excess of a (programmable) limit, the off-hook

condition will be detected (an on-chip debouncer with selectable delay avoids accidental hookswitch detection), and the circuit will be put into active speech mode. The nominal off-hook detection currents and hysteresis are shown in Figure 4-2. When a line is in the on-hook condition, the system designer may select, under program control via the GCI bus, an “on-hook active mode,” whereby, on-hook signalling (ADSI, CLIP, etc.) can be performed in either direction (though battery reversal is not available in this mode).

The hookswitch detector has a programmable debounce timer. Times of 8, 16, 24, or 64 ms can be selected. (The timer is common for both channels.)

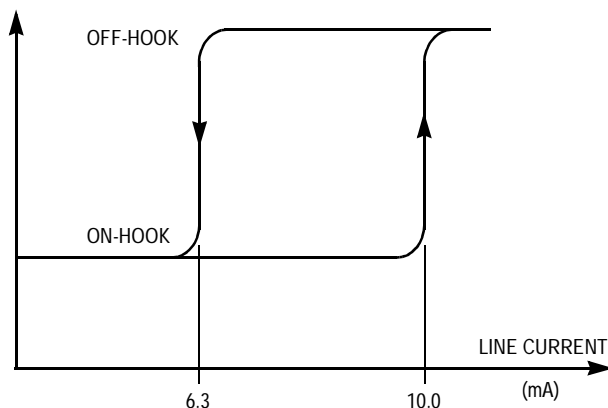


Figure 4-2. Nominal Hookswitch Detection Thresholds (Default Values)

Table 4-1. On-Hook Characteristics

Parameter	Condition	Min	Max	Unit	Note
$V_{feedO}$	Open-line feed voltage	$V_{BATS-1}$	$V_{BATR-1}$	V	1
$I_{on}$	Line current guaranteeing on-hook state	4.67	7.93	mA	2
$I_{off}$	Line current guaranteeing off-hook state	7.86	12.14	mA	2
$I_{OHYST}$	Hookswitch detect hysteresis	2	—	mA	2
$I_{OC}$	Peak over-current limit, on-hook mode	—	145	mA	3
$V_{biasH}$ $V_{biasL}$	Bias voltage during ADSI mode on A (H) and B (L) wires, ref. BAT pin	2	4	V	

- NOTES:**
- $I_{line} = 0$  mA, independent of battery reversal mode. This voltage is selected by the user. The output impedance when in the on-hook condition is set by the sense resistors  $R_{feed}$ . The hook-switch detector has a programmable debounce timer. Times of 8, 16, 24, or 64 ms can be selected (common for both channels).
  - These are the default values after reset. The on-hook and off-hook thresholds can be individually programmed in the range 0 to 63 mA nominal.
  - This is the intrinsic current limit of the output driver. This current can only be seen during on-hook to off-hook transients, or during ringing into a short-circuit load during the ring-trip delay period. The actual value measured will depend on the load resistance used.

## 4.2 RINGING INJECTION

### 4.2.1 Balanced Ringing

The SH-POTS chipset is capable of directly injecting a ringing signal of up to 50 V<sub>rms</sub> (sine wave) without the need for additional external components. The technique of “balanced ringing” is used, which allows this large voltage swing to remain within the technology limits of the SHLIC device. (Balanced ringing requires a specific algorithm for ring-trip detection, which is also implemented by the chipset.) The SH-POTS chipset allows the user to program a dc offset during ringing as well as a reduced amplitude ringing signal, should the application require this. Ringing waveform, frequency, amplitude, and cadence, as well as ring-trip thresholds, are controlled by the CODSP device, and are all programmable. Ringing cadence can be automatic, with independently programmable ring and pause times, or ringing can be controlled directly via the GCI bus. In the automatic cadence mode, ringing bursts on both channels can be optionally interleaved, if simultaneously active, to avoid peaks in current from the ringing battery supply.

**Table 4-2. Ringing Characteristics**

Parameter	Condition	Min	Max	Unit	Note
F <sub>R</sub>	Ringing frequency 16.66, 20, 25 Hz 50 Hz	-1 -2	1 2	Hz	
SF <sub>NR</sub>	Single-frequency noise, 10 Hz to 4 kHz	—	-63	dBm	
V <sub>R</sub>	Ringing voltage (max), V <sub>BATR</sub> = -72 V	50	—	V <sub>rms</sub>	1
D <sub>R</sub>	Ringing distortion, sine mode 30 Hz to 132 kHz	—	5	%	
t <sub>RTD</sub>	Ring-trip delay, load = 500 Ω + 4 μF	—	150	ms	
t <sub>RTDEB</sub>	Ring-trip debounce time	0	30	ms	2
t <sub>C</sub>	Ring-cadence times (active and silent)	1	255	n/n	4
I <sub>RTH</sub>	Ring-trip current, high threshold	6.0	12.0	mA	3
I <sub>RTL</sub>	Ring-trip current, low threshold	3.5	9.5	mA	3
H <sub>RT</sub>	Ring-trip hysteresis	2	—	mA	3

- NOTES:**
1. Ringing voltage is user-programmable from 0 to 70 V<sub>p(diff)</sub> between the A and B wires (NB, the ringing battery voltage must be large enough to encompass this voltage) in 256 steps. The default is the maximum value. Condition: Load = 0 mA.
  2. User-selectable 0 or 30 ms. Default is 30 ms.
  3. These are the default values after reset. The max and min ring-trip thresholds can be individually programmed in the range 0 to 63 mA nominal. The ring-trip detect mask time is used to bridge the zero-crossings of the ringing signal, and is programmable between 0 and 32 ms in 125 μs steps.
  4. Units are periods of the selected ringing frequency. The default values are 1 s on, 3 s off, with a ringing frequency of 50 Hz.

### 4.2.2 Semi-Unbalanced Ringing

In order to support “semi-unbalanced ringing” (dc bias equal to V<sub>BATR</sub> superimposed on the differential ringing signal), two of these outputs will be active high during the active ringing period on each channel (SPICK for channel 0 and SPICS for channel 1). This can be used to drive a relay via an external NPN transistor, as shown in Figure 4-3.

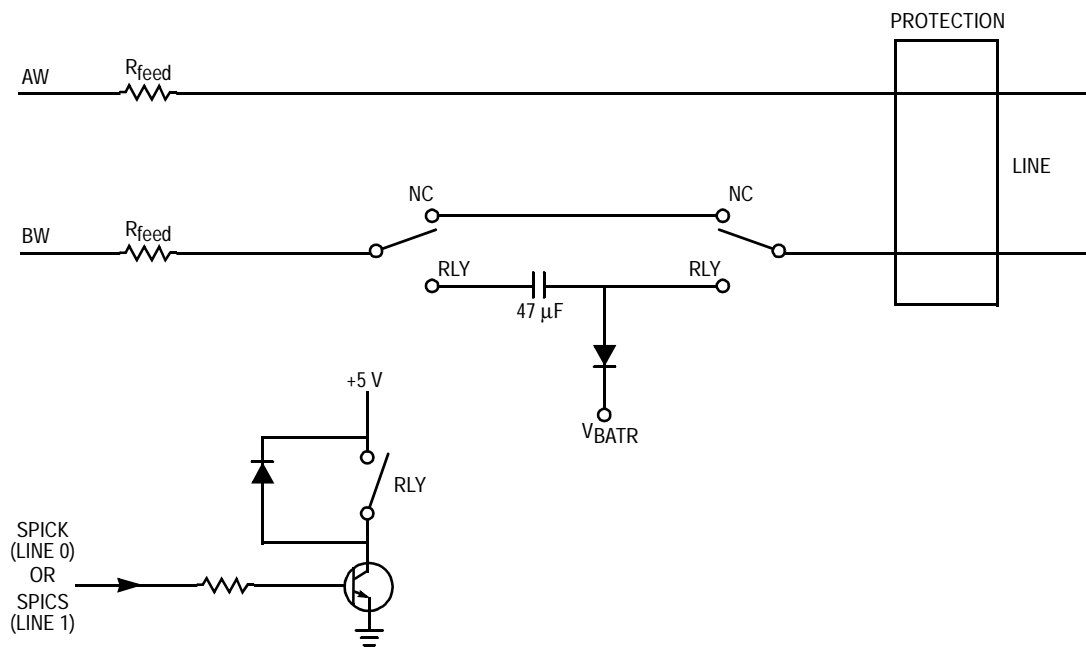


Figure 4-3. Application Suggestion for Semi-Unbalanced Ringing Injection

### 4.3 DC FEED CHARACTERISTICS

As shown in Figure 4-4, the SH-POTS chipset implements a constant-current feed. The limit current and the residual resistance (slope of the characteristic) are both programmable by the user. The dc characteristic falls into three regions. When the combination of line and subset result in a current less than the programmed limit current, the system behaves like a battery with a fixed feed resistance of 120  $\Omega$ , and a voltage equivalent to the speech supply voltage ( $V_{BATS}$ ) minus the bias voltage on both lines (6 V nominal in total). Should line conditions permit a current that exceeds the programmed limit current, the system enters the constant-current feed mode described above. In order to protect the output stage in the transition region at higher line currents (in excess of 50 mA), a third region is defined, where the system synthesizes a fixed feed resistance of 200  $\Omega$ . The slope of the voltage/current characteristic in the constant-current mode can be user-programmed to select the effective feed-resistance.

**NOTE**

The SHLIC device includes over-temperature protection, that activates at 165°C in case of overheating of the device.

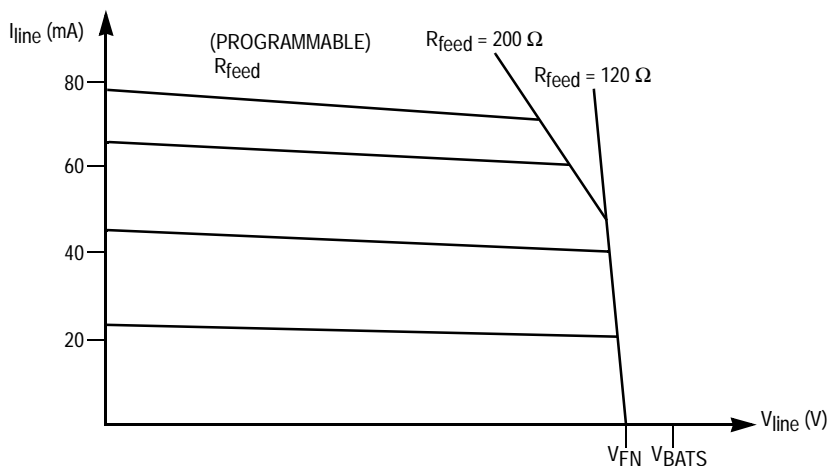


Figure 4-4. DC Feed Characteristics

Table 4-3. DC Feed Characteristics

[ $R_{feed} = 60 \Omega$  Total ( $50 \Omega + 10 \Omega$  Protection) x 2]

Parameter	Condition	Min	Max	Unit
$V_{biasH}$	Bias voltage, A wire ( $I_{line} = 0$ )	2.5	3.5	V
$V_{biasL}$	Bias voltage, B wire ( $I_{line} = 0$ )	2.5	3.5	V
$TOL_{ICL}$	Current limit tolerance	-15	15	%
$T_{R_{feed}CL}$	Tolerance on programmed $R_{feed}$ when in current-limit	-15	15	%
$I_{CL}$	Current-limit, useful programmed range	20	70	mA

### 4.3.1 Battery Voltage and Reversal

The open-line voltage (i.e., the voltage seen on the line when on-hook) is user-selectable for each channel via an internal register. It can be either the ringing battery supply (most common use) or the speech battery supply. The speech battery supply is automatically selected when an off-hook condition is detected, independently of these control bits. The selected supply voltage is maintained when the on-hook signalling function (ADSI) is enabled.

The polarity of the line feed can be dynamically controlled by the user. In the “normal” condition, the A wire is the most positive. Thus, reversal makes the B wire the most positive. Battery reversal is fast (audible), is controlled by programming an internal register, and is independent for both channels. The selected polarity is used in all states (on-hook, off-hook, ringing, etc.) except for on-hook signalling, which is in normal battery mode.

## 4.4 AC TRANSMISSION CHARACTERISTICS (MS140131KT SYSTEM)

### 4.4.1 Transmit and Receive Filter Characteristics

The SH-POTS chipset implements transmit and receive filters according to ITU-T (G.712). These filters can be reprogrammed by the user for specific requirements. Please contact a Motorola sales office for more information. The implemented default filter characteristics are shown in Figures 4-5 and 4-6.

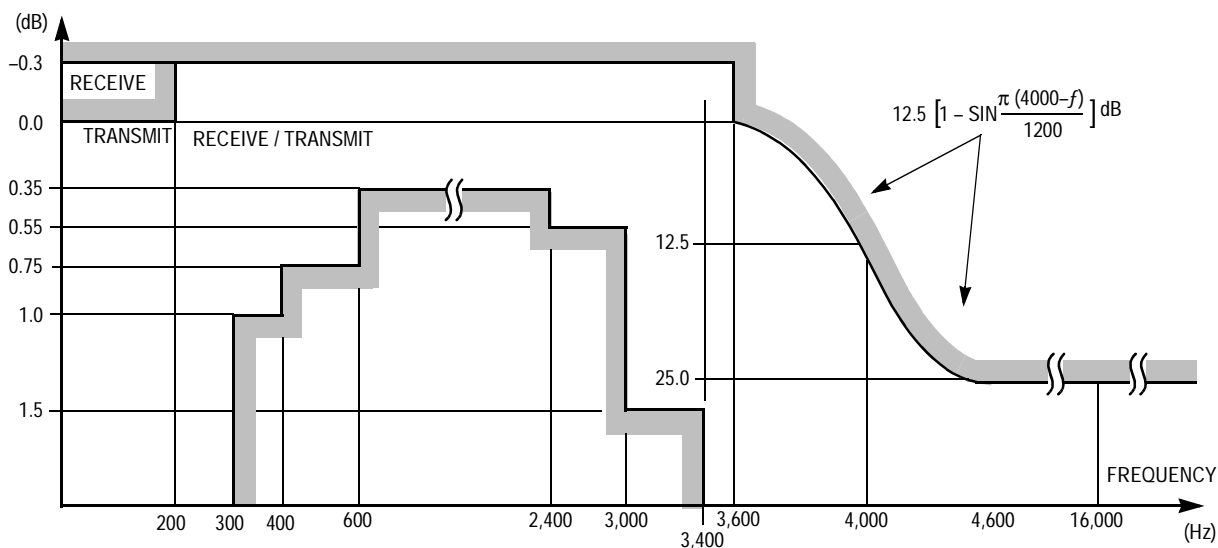
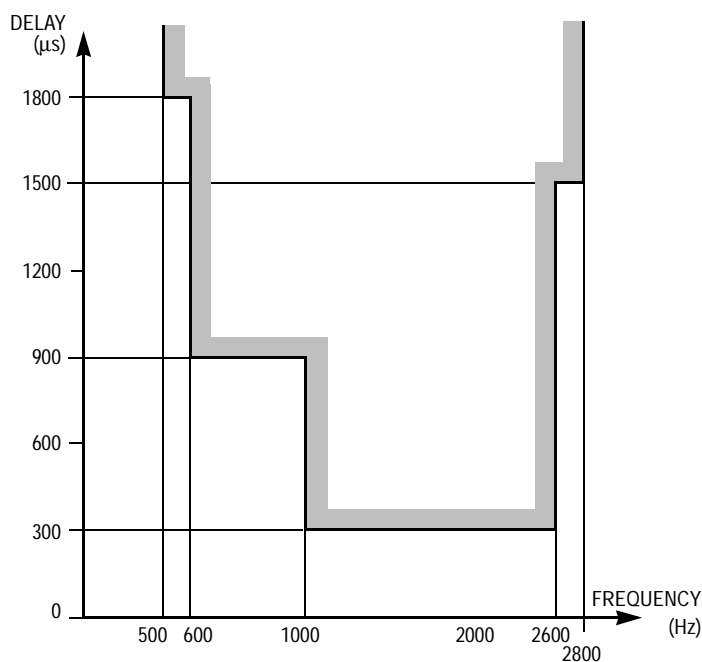


Figure 4-5. Transmit and Receive Frequency Response (Default)



**Figure 4-6.** Relative Group Delay, Transmit and Receive Paths (Digital-to-Digital) Referred to 1 kHz

## 4.4.2 Transmit and Receive Gain

Transmit (from analog subset towards the switching system) and receive gains are user-programmable, independently for both lines. The default values are 0 dB in the transmit direction, and -7 dB in the receive direction.

## 4.4.3 Source Impedance ( $Z_{CO}$ )

The central-office impedance,  $Z_{CO}$ , is synthesized using digital signal processing techniques. This renders it very stable, and moreover, programmable by the user by means of coefficients which are loaded via the GCI. Real or complex  $Z_{CO}$  impedances can be synthesized using the common three-element model ( $R_s$ ,  $R_p$ ,  $C_p$ ; see Figure 4-7). The  $Z_{CO}$  setting is common for both lines. Both real and complex  $Z_{CO}$  impedances can be programmed to address the local requirements of specifications worldwide, and cover the following range.

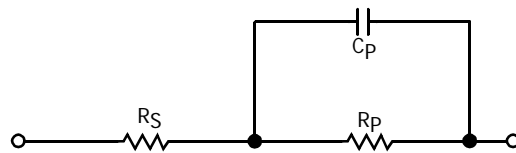
Using the default coefficient values, the return loss when measured against 600  $\Omega$  (using 0 dBm input signal level) is better than 20 dB in the 300 to 3400 Hz band, and better than 10 dB at 10 kHz.

Real impedances: 600  $\Omega$  to 900  $\Omega$

Complex impedances:  $R_s$  from 160  $\Omega$  to 500  $\Omega$

$R_p$  from 300  $\Omega$  to 1000  $\Omega$

$R_p//C_p$  pole from 725 Hz to 5 kHz.


 Figure 4-7. Three-Element  $Z_{CO}$  Model

#### 4.4.4 Balance Impedance (Echo Canceller)

The balance impedance (model of the line plus set impedance used to separate the receive and transmit signals in the “hybrid”) is independently programmable (though is the same for both channels). Default values offer echo return loss of better than 20 dB, though optimization to specific line and set characteristics may yield further improvement.

 Table 4-4. Examples of  $Z_{CO}$  Coefficients

	$R_s$	$R_p$	$C_p$	$Z_{CO}^{Sh}$ Alfa3	$Z_{CO}^{A2}$	$RZ_{CO}$	$Z_{CO}^{-}$ Gamma	$Z_{CO}^{-}$ Alfa3	Ftx	Ap	Nan	ACG
Belgium	600	0	0	0	0	3	0	0	237	0	0	103
Germany	220	820	115 nF	0	40	9	9	5	52	346	512	125
Europe	270	750	150 nF	0	19	7	15	4	122	388	-179	125
$Z_{CO}^{850}$	850	0	0	0	0	0	0	0	282	0	0	123
$Z_{CO}^{900}$	900	0	0	0	0	0	0	0	290	0	0	126

	h0	h1	h2	h3	a0	c5	b0	Dzd0	Dzd1
Belgium	4	-22	105	95	0	0	0	1	1
Germany	-31	48	1	156	0	0	0	0	0
Europe	3	-23	118	88	0	0	0	0	0
$Z_{CO}^{850}$	4	-22	105	95	0	0	0	1	1
$Z_{CO}^{900}$	4	-22	105	95	0	0	0	1	1

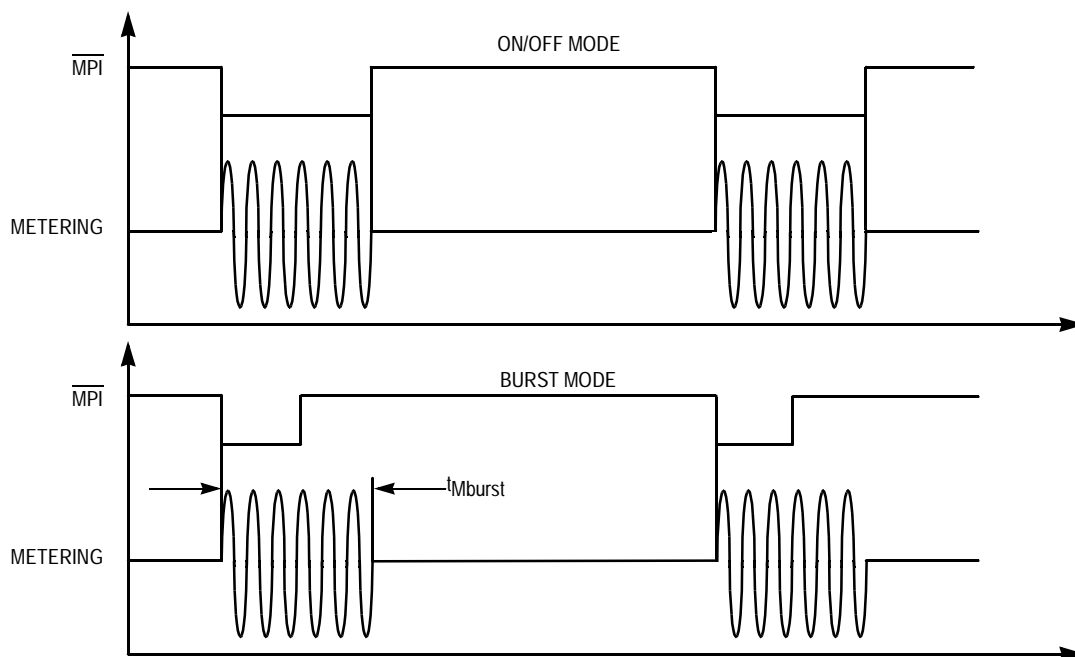
## 4.5 METERING

### 4.5.1 Metering Injection

Metering pulses of selectable frequency (12 kHz or 16 kHz) and programmable amplitude can be injected into either analog channel independently. The width of the injected pulse is determined by the user (on/off mode), or by an internal timer (burst mode) which can be set by the user from 2 ms to 510 ms in steps of 2 ms. The metering signal is always a multiple of half metering periods. See Figure 4-8.

Metering is initiated on a channel by an active low state on the corresponding  $\overline{MPI}$  bit in the GCI C/I byte.





**Figure 4-8.** Metering Pulse Timing Diagrams

The metering level on the line is set by:  $V_{LM} = (V_{GEN} Z_M) / (Z_M + Z_{COM})$  where:

$V_{LM}$  = metering pulse level on the line

$V_{GEN}$  = set level of the metering generator

$Z_M$  = impedance of the metering load

$Z_{COM}$  = CO impedance at the metering frequency.

The metering level  $V_{GEN}$  is selectable from 0 to a maximum level of 230 mVrms (500 m line with  $Z_{CO} = 900 \Omega$ ) in 15 linear steps. The internal tolerance on the metering signal level is  $\pm 10\%$ .

## 4.5.2 Metering Characteristics

**Table 4-5. Metering Characteristics (Determined by MC1420232 CODSP)**  
(Conditions: Refer to Section 5.2)

Parameter	Condition	Min	Max	Unit	Note
F <sub>ML</sub>	Metering frequency, 12 kHz	11,940	12,060	Hz	1
F <sub>MH</sub>	Metering frequency, 16 kHz	25,920	16,080	Hz	1
SFN1	Single-frequency noise, subharmonics for 12 kHz, 30 Hz to 12 kHz for 16 kHz, 30 Hz to 12 kHz	—	-69	dBm0	
SFN2	Single-frequency noise, mixed products 12 kHz, 12 kHz to 20 kHz 12 kHz, 20 kHz to 132 kHz 16 kHz	—	-51 -69 -69	dBm0	
N <sub>MC</sub>	In-band noise due to metering signal	—	-60	dBmp	2
N <sub>MT</sub>	Transient noise due to metering pulse	—	-35	dBm0	2
THD <sub>M</sub>	Metering total harmonic distortion, 30 Hz to 132 kHz, out of CODSP	—	0.5	%	
D <sub>M</sub>	Metering signal distortion at load	—	5	%	3
V <sub>LM</sub>	Metering pulse amplitude, maximum level with Z <sub>CO</sub> = 900 Ω, R <sub>line</sub> = 130 Ω	207	253	mVrms	4
SYM <sub>M</sub>	Metering symmetry, A and B wires	24	—	dB	5
SFN <sub>TX</sub>	Single frequency noise, mixed products, 10 Hz to 4 kHz, Tx path	—	-63	dBm	

- NOTES:**
1. Tolerance = ±0.5%.
  2. Measured in accordance to ITU-T Specification 071 (Blue Book).
  3. On 200 Ω.
  4. Tolerance = ±10%.
  5. Tolerance = max 6%.

## 4.6 TONE GENERATION

The SH-POTS system allows the injection of user programmable tones, independently per channel, for signalling or user test purposes. Per channel, a tone comprising two programmable (sine wave) frequencies and programmable amplitudes can be generated (in this way, the most common call-progress and information tones, melody notes, or DTMF tones can be synthesized). The tone signal is added to the speech signal (the user must be aware of possible clipping which may occur if high signal levels are programmed), or the speech signal can also be muted during a tone burst. The tone burst duration is under user control only (the control bits for mute and tone insertion occupy the same register, which simplifies the generation of tone bursts).

The amplitude of each frequency within the tone can be independently set from 0 to the maximum level in 256 linear amplitude steps (8-bit value), with  $n = 63$  corresponding to 0 dBm on the line. From this, the line signal level,  $V_{TL}$ , for a given gain factor  $n$  is given by:

$$V_{TL} = 20 \log(n/63) \text{ in dBm}$$

or

$$n = \text{int}(63 \times 10^{(Vt/20)} + 0.5)$$

Table 4-6 lists values for n, for a range of tone signal levels.

The tone frequency is given by:

$$F_{\text{out}} = 250 \times N / 256 \text{ Hz,}$$

where N is a 16-bit value (thus, N = 1024 yields a tone of 1 kHz) or

$$N = \text{int}(F_{\text{out}} \times 256/250 + 0.5)$$

The tone generated has continuous phase if the programmed frequency is changed during the course of a tone (this is not so if the generator is stopped and restarted). Tables 4-7 and 4-8 list the values of N required to generate commonly occurring frequencies, and the resulting error.

**Table 4-6. Tone Signal Levels (Common Values) (See Note)**

dBm	n	Actual	Error (dB)
3	89	3.00	0.00
1.5	75	1.51	0.01
0	63	0.00	0.00
-1.5	53	-1.50	0.00
-3	45	-2.92	0.08
-6	32	-5.88	0.12
-8	25	-8.03	-0.03
-10	20	-9.97	0.03
-15	11	-15.16	-0.16
-20	6	-20.42	-0.42
-30	2	-29.97	0.03
-36	1	-35.99	0.01

**NOTE:** It is possible to generate tones of very high amplitude. The user must ensure that the amplitude parameter is programmed before the tone is enabled.

**Table 4-7.** Tone Generator Division Values for Common Frequencies from ETS-300-001 and DTMF Tones

Common Signalling Frequencies			
Frequency (Hz)	N	Actual Frequency	Error (%)
300.00	307	299.805	-0.07
320.00	328	320.313	0.10
325.00	333	325.195	0.06
340.00	348	339.844	-0.05
350.00	358	349.609	-0.11
375.00	384	375.000	0.00
380.00	389	379.883	-0.03
382.50	392	382.813	0.08
400.00	410	400.391	0.10
410.00	420	410.156	0.04
420.00	430	419.922	-0.02
440.00	451	440.430	0.10
450.00	461	450.195	0.04
455.00	466	455.078	0.02
475.00	486	474.609	-0.08
490.00	502	490.234	0.05
500.00	512	500.000	0.00
525.00	538	525.391	0.07
550.00	563	549.805	-0.04
DTMF Tones			
Frequency (Hz)	N	Actual Frequency	Error (%)
697.00	714	697.266	0.04
770.00	788	769.531	-0.06
852.00	872	851.563	-0.05
941.00	964	941.406	0.04
1209.00	1238	1208.984	0.00
1336.00	1368	1335.938	0.00
1477.00	1512	1476.563	-0.03
1633.00	1672	1632.813	-0.01

**Table 4-8.** Required Frequency Setting Values (N) for a Melody Generator (Western Equal-Tempered Scale)

Octave	Note	Frequency (Hz)	N	Actual	Error (%)	
2	C	261.626	268	261.719	0.04	(Middle-C)
2	C#	277.183	284	277.344	0.06	
2	D	293.665	301	293.945	0.10	
2	Eb	311.127	319	311.523	0.13	
2	E	329.628	338	330.078	0.14	
2	F	349.228	358	349.609	0.11	
2	F#	369.994	379	370.117	0.03	
2	G	391.995	401	391.602	-0.10	
2	Ab	415.305	425	415.039	-0.06	
2	A	440.000	451	440.430	0.10	
2	Bb	466.164	477	465.820	-0.07	
2	B	493.883	506	494.141	0.05	
3	C	523.251	536	523.438	0.04	
3	C#	554.365	568	554.688	0.06	
3	D	587.330	601	586.914	-0.07	
3	Eb	622.254	637	622.070	-0.03	
3	E	659.255	675	659.180	-0.01	
3	F	698.456	715	698.242	-0.03	
3	F#	739.989	758	740.234	0.03	
3	G	783.991	803	784.180	0.02	
3	Ab	830.609	851	831.055	0.05	
3	A	880.000	901	879.883	-0.01	
3	Bb	932.328	955	932.617	0.03	
3	B	987.767	1011	987.305	-0.05	
4	C	1046.502	1072	1046.875	0.04	
4	C#	1108.731	1135	1108.398	-0.03	
4	D	1174.659	1203	1174.805	0.01	
4	Eb	1244.508	1274	1244.141	-0.03	
4	E	1318.510	1350	1318.359	-0.01	
4	F	1396.913	1430	1396.484	-0.03	
4	F#	1479.978	1515	1479.492	-0.03	
4	G	1567.982	1606	1568.359	0.02	
4	Ab	1661.219	1701	1661.133	-0.01	
4	A	1760.000	1802	1759.766	-0.01	
4	Bb	1864.655	1909	1864.258	-0.02	
4	B	1975.533	2023	1975.586	0.00	
5	C	2093.005	2143	2092.773	-0.01	
5	C#	2217.461	2271	2217.773	0.01	
5	D	2349.318	2406	2349.609	0.01	
5	Eb	2489.016	2549	2489.258	0.01	

**Table 4-8.** Required Frequency Setting Values (N) for a Melody Generator (Western Equal-Tempered Scale) (continued)

Octave	Note	Frequency (Hz)	N	Actual	Error (%)	
5	E	2637.020	2700	2636.719	-0.01	
5	F	2793.826	2861	2793.945	0.00	
5	F#	2959.955	3031	2959.961	0.00	
5	G	3135.963	3211	3135.742	-0.01	
5	Ab	3322.438	3402	3322.266	-0.01	
5	A	3520.000	3604	3519.531	-0.01	
5	Bb	3729.310	3819	3729.492	0.00	
5	B	3951.066	4046	3951.172	0.00	

## 4.7 CODSP CLOCK RECOVERY PLL

The CODSP device derives its internal clocks from the GCI DCL input by means of a PLL. The PLL automatically detects the clock mode in use, and sets the multiplication factor accordingly. The PLL loop filter requires an external capacitor as shown in the application schematic.

### 4.7.1 User-Defined I/O Pins

The SPIDI, SPICS, and SPICK pins are part of an SPI port which is used by the manufacturer during product evaluation and testing. They are available to the user, via the GCI, as output bits (e.g., for driving small indicator LEDs). The SPIDO pin is used as part of the power-up and testing routines, and the behavior during power-up can not be guaranteed. It is, therefore, advised not to make use of this pin for any other purpose. The outputs can source or sink a maximum of 4 mA each.

### 4.7.2 Test Functions

Please contact a Motorola sales office.

# SECTION 5

## ELECTRICAL CHARACTERISTICS

### 5.1 ABSOLUTE MAXIMUM RATINGS

Operation of the device at or near these conditions is not guaranteed. Sustained exposure to these limits will adversely affect device reliability.

**Table 5-1.** Absolute Maximum Ratings

Parameter	Symbol	Min	Max	Unit
Battery voltage BATR (ref. to $V_{SSB}$ ) of SHLIC	BATR	-75	0.5	V
Battery voltage BATS (ref. to $V_{SSB}$ ) of SHLIC	BATS	-35	0.5	V
Difference between the batteries BATR and BATS, BATR-BATS of SHLIC	DBAT	-40	0.5	V
$V_{DD5A}$ (ref. to $V_{SSA}$ ) of SHLIC	$V_{DD5A}$	-0.5	7	V
$V_{SSB}$ (ref. to $V_{SSA}$ ) of SHLIC	$V_{SSB}$	-0.5	0.5	V
Ambient temperature under bias of SHLIC	$T_A$	-40	85	°C
Maximum absolute power dissipation, $T_A = 85^\circ\text{C}$		—	1.3	W
$V_{DD3A}, V_{DD3D}$ to CODSP	$V_{DD3}$	$V_{SS} - 0.3$	4	V
Voltage on any device pin (see Note) of CODSP	$V_{in}$	$V_{SS} - 0.3$	$V_{DD3} + 0.3$	V
Function temperature under bias of CODSP		-55	150	°C
Storage temperature	$T_{stg}$	-65	150	°C
Lead temperature (soldering 10 s)		—	300	°C

**NOTE:** Except special 5 V tolerant I/Os of CODSP.

### 5.2 OPERATING CONDITIONS

Operating ranges define the limits for functional operation and parametric characteristics of the device as described in this document, and for the reliability specifications. Correct functioning outside of these limits is not implied. Total cumulative exposure outside the normal power supply voltage range or ambient temperature under bias, must be less than 0.1% of the normal useful life as defined in the Reliability section.

**Table 5-2. Operating Conditions**(All Voltages Referenced to  $V_{SSA} = V_{SSB}$  or  $V_{SS} = V_{SSA}$ , as Appropriate)

Symbol	Parameter	Limits			Unit
		Min	Typ	Max	
BATR	Ringing battery voltage	-72	-65	-18	V
BATS	Speech battery voltage	-35	-32	-18	V
DBAT	Difference between the batteries BATR and BATS, BATR-BATS	-40	-35	0	V
$V_{DD5A}$	Supply voltage SHLIC (ref. to $V_{SSA}$ )	4.75	5	5.5	V
$T_{range}$	Operating temperature range	-40	—	85	°C (Note)
$V_{DD3D}$ $V_{DD3A}$	$V_{DD}$ of CODSP (3.3 V $\pm$ 8%)	3.036	3.3	3.564	V

**NOTE:** See Section 5.4; maximum power dissipation is dependent on maximum ambient temperature.

## 5.3 THERMAL SHUTDOWN SHLIC

Thermal limiting circuitry on chip of the SHLIC will shut down the circuit at a junction temperature of about 165°C. The device should never be run at this temperature. Operation above 145°C junction temperature might degrade device reliability.

Thermal resistance = 55°C/w typ.

### 5.3.1 Transient Energy Capability

During testing, each device termination withstands being shorted to the supply voltages or ground as specified below. The shorting must be limited to 1 s.

Shorted to  $V_{SSA}$ ,  $V_{DD5A}$  or  $V_{SSB}$ : VAG, PU, RNG, BR, TST,  $T_A$ , DCC, DCO, DCI, Tx to Rx

Shorted to  $V_{SSA}$ ,  $V_{SSB}$  or BATS: AW, BW, SA to SB

## 5.4 DC CHARACTERISTICS (MC1430132 SHLIC, UNLESS OTHERWISE NOTED)

Unless otherwise stated, these characteristics apply for the operating conditions specified in Section 5.2. All parameters are explicitly or implicitly tested during production at the operating conditions unless they are marked with an asterisk (\*), where they are guaranteed by design. Parameters marked with a double asterisk (\*\*) are meant as user information only. Tests are performed using an equivalent of the application schematic.



**Table 5-3. Power Supply Currents**

Symbol	Parameter	Test Condition	Limits			Unit
			Min	Typ	Max	
I <sub>BATR</sub>	BATR current (I <sub>L</sub> = 0)	Power RNG = 0	—	0.35	0.5	mA
		Up RNG = 1	—	3.5	5.0	mA
		Power RNG = 0	—	0.35	0.5	mA
		Down RNG = 1	—	2.5	3.5	mA
I <sub>BATS</sub>	BATS current (I <sub>L</sub> = 0)	Power RNG = 0	—	3.5	5	mA
		Up RNG = 1	—	3.5	5	mA
		Power RNG = 0	—	1.5	2.5	mA
		Down RNG = 1	—	—	0.5	mA
I <sub>VDD</sub>	V <sub>DD</sub> current (I <sub>V3</sub> = 0)	Power-up	—	3	5.5	mA
		Power-down	—	2.5	4	mA
P <sub>CC</sub>	Power dissipation of CODSP (@ 3.45 V V <sub>DD3A</sub> and V <sub>DD3D</sub> )	Power-down	—	—	30	mW
		Power-up 1 line active*	—	—	140	mW
		Power-up 2 lines active	—	—	180	mW

- NOTES:**
1. I<sub>L</sub> is the line current; i.e., these parameters are measured without line current.
  2. I<sub>V3</sub> is the load current in pin V3.
  3. The maximum values in the table are valid for the full battery voltage ranges:  
 –18 V to –72 V for ringing battery BATR.  
 –18 V to –35 V for battery BATS. (BATR must always be the most negative one.)
  4. In case of sleep mode activation. See Tables 6-5 and 6-7 for programming values.

**Table 5-4. SHLIC Dissipation**

Parameter	Symbol	Value	Unit
Maximum operating power dissipation, T <sub>A</sub> = 70°C	P <sub>max_op</sub>	1.2	W

The specifications for power dissipation imply that in ring mode, the active ring phase must at least be four times shorter than the non-active ring phase. The maximum duration of the active ring phase must be below 2 s.

### 5.4.1 Power-On Reset

Table 5-5 shows the power reset threshold for V<sub>DD5A</sub> of the SHLIC. As long as V<sub>DD5A</sub> is below the reset threshold, SHLIC is held in power-down, and the output pins AW and BW are high impedance.

The CODSP uses a separate input pin, PWRS, for system reset at power-up.

**Table 5-5.** Power-On Reset Characteristics

Symbol	Parameter	Test Condition	Limits			Unit
			Min	Typ	Max	
V <sub>DDPWR</sub>	Threshold voltage for power reset on V <sub>DD</sub> of SHLIC		3.0	3.5	4.0	V
t <sub>PWRS</sub>	Active low pulse width on PWRS of CODSP		10	—	—	ms
V <sub>PWRS</sub>	Threshold voltage for reset on PWRS of CODSP		1.6	—	1.7	V

## 5.4.2 V<sub>DD3</sub> Regulator

This series regulator of the SHLIC can be used to provide the supply voltage for the CODSP or other 3.3 V devices.

**Table 5-6.** V<sub>DD3</sub> Regulator Characteristics

Symbol	Parameter	Test Condition	Limits			Unit
			Min	Typ	Max	
V <sub>DD3</sub>	V <sub>DD3</sub> output voltage	Load current I <sub>V3V</sub> between 0 and 50 mA	3.05	3.3	3.55	V
I <sub>load</sub>	Load current range		0	—	50	mA
PSRR	Signal rejection V <sub>DD</sub> to V <sub>DD3</sub>	Frequency range 0 to 10 kHz	20	—	—	dB
L <sub>REG</sub>	Load regulation	Load current range from 5 to 50 mA	−1	—	1	Ω
C <sub>load</sub> (**)	Maximum load capacitance	Load current range from 0 to 50 mA	—	100	—	nF
I <sub>CC</sub> (*)	Current limitation shorted output	V <sub>DD3</sub> shorted to V <sub>SSA</sub>	70	—	200	mA

**Table 5-7.** Voltage Characteristics A Wire (AW), B Wire (BW)

Symbol	Parameter	Test Condition			Limits			Unit
		PU	BR	RNG	Min	Typ	Max	
V <sub>AWN</sub>	Normal DC-bias on AW (ref. V <sub>SSB</sub> )	1	0	0	-3.5	-3.1	-2.7	V
V <sub>BWN</sub>	Normal DC-bias on BW (ref. BAT)	1	0	0	2.5	3	3.5	V
V <sub>AWR</sub>	Reverse polarity DC-bias on AW (ref. BAT)	1	1	0	2.5	3	3.5	V
V <sub>BWR</sub>	Reverse polarity DC-bias on BW (ref. V <sub>SSB</sub> )	1	1	0	-3.5	-3.1	-2.7	V
V <sub>AW_H</sub>	DC bias on AW in Act_H mode (TST = 1, ref. V <sub>SSB</sub> )	1	x	1	-4	-3	-2	V
V <sub>BW_H</sub>	DC bias on BW in Act_H mode (TST = 1, ref. BAT)	1	x	1	2	3	4	V
V <sub>HWP</sub>	Voltage level high wire (IL < 5 mA)	0	x	0	-0.8	-0.5	—	V
V <sub>LWP</sub>	Voltage level low wire (IL < 5 mA), ref. BAT	0	x	0	—	0.5	0.8	V
V <sub>AWring</sub> V <sub>BWring</sub>	DC-level both wires in ringing mode (TST = 0)	1	0	1	BAT/2 -2%	BAT/2	BAT/2 2%	V

**NOTE:** These bias values are only valid if both DCC and Rx are biased at VAG voltage level.

**Table 5-8.** Impedance Characteristics A Wire (AW), B Wire (BW)

Symbol	Parameter	Test Condition	Limits			Unit
			Min	Typ	Max	
Z <sub>A(B)WO</sub> (*)	Output impedance at AW (BW) (power-up)	0 mA < IL < 70 mA 0 < f < 16 kHz	—	—	1.5	Ω
Z <sub>A-BWO</sub> (*)	Tracking of the output impedance on AW and BW	0 mA < IL < 70 mA 0 < f < 16 kHz	—	—	0.3	Ω
Z <sub>HWOD</sub>	Output impedance on high wire (power-down)	PU = 0	5	—	130	Ω
Z <sub>LWOD</sub>	Output impedance on low wire (power-down)	PU = 0	5	—	130	Ω
Z <sub>OMD</sub>	Matching output impedance low versus high wire (power-down)	PU = 0	-70	—	70	Ω
I <sub>A(B)OC</sub> I <sub>A(B)HIMP</sub>	Output current in and out AW (BW) with OT (over- temperature) detected	A(B)W_V <sub>SSB</sub> and A(B)W_BATS	-700	—	700	μA

**Table 5-9. Rx, Tx Characteristics**

Symbol	Parameter	Test Condition	Limits			Unit
			Min	Typ	Max	
$Z_{Tx}$ (*)	Output impedance at Tx	f = 1 kHz	—	—	10	$\Omega$
$V_{OTx}$	Offset voltage on Tx (PU=1) (ref. VAG)	SA shorted to AW and SB to BW, DCI to $V_{DD3}$ , DCO to VAG	-20	0	20	mV
$I_{OUTTx}$	Tx output current capability		-1	—	0.05	mA
$V_{Rx}$ (*)	Rx input voltage range (ref. VAG)		-1	—	1	V
$Z_{Rx}$	Rx input impedance	f = 1 kHz	20	—	—	k $\Omega$

### 5.4.3 DCO DC Levels, Impedances

These limits are generally transparent to the user, but are given here for information.

**Table 5-10. DCO Characteristics**

Symbol	Parameter	Test Condition	Limits			Unit
			Min	Typ	Max	
$Z_{DCO}$ (*)	Output impedance at DCO		—	—	10	$\Omega$
$V_{ODCO}$	Offset voltage on DCO (ref. VAG)	SA shorted to AW and SB to BW	-20	0	20	mV
$I_{OUTDCO}$ (*)	DCO output current capability		-1	—	0.05	mA
$Z_{DCI}$	Input impedance at DCI	f = 1kHz	210	—	—	k $\Omega$

### 5.4.4 VAG Analog Ground Input

The analog ground is typically half the voltage of the  $V_{DD3}$  output voltage. It is the reference for all analog interfacing between SHLIC and the CODSP. VAG is provided by the CODSP.

**Table 5-11. VAG Characteristics**

Symbol	Parameter	Test Condition	Limits			Unit
			Min	Typ	Max	
$V_{VAG}$ (**)	Voltage level at VAG pin CODSP		1.53	1.65	1.77	V
$I_{VAG}$	VAG input current SHLIC	VAG = 1.65 V	—	—	0.5	mA

## 5.4.5 DC Loop Filter

These limits are generally transparent to the user, but are given here for information.

**Table 5-12.** DC Loop Filter Characteristics

Symbol	Parameter	Test Condition	Limits			Unit
			Min	Typ	Max	
V <sub>DCLF1</sub>	DCLF1 output voltage (ref. V <sub>SSB</sub> )	RNG = 0, PU = 1	-3.5	-3.1	-2.7	V
V <sub>DCLF2</sub>	DCLF2 output voltage (ref. BAT)	RNG = 0, PU = 1	2.5	3.0	3.5	V
Z <sub>DCLF1S</sub>	Output impedance at DCLF, V <sub>DCLF</sub> - V <sub>DCLF1</sub> < 0.5 V	RNG = 0, PU = 1	0.6	1	1.4	MΩ
Z <sub>DCLF2S</sub>	Output impedance at DCLF, V <sub>DCLF</sub> - V <sub>DCLF2</sub> < 0.5 V	RNG = 0, PU = 1	0.6	1	1.4	MΩ

## 5.4.6 DCC Input Pin

These limits are generally transparent to the user, but are given here for information.

**Table 5-13.** DCC Input Characteristics

Symbol	Parameter	Test Condition	Limits			Unit
			Min	Typ	Max	
V <sub>DCC</sub>	DCC input voltage range (ref. VAG)	RNG = 0, PU = 1	-1	—	1	V
I <sub>INDCC</sub>	DCC input current, V <sub>DCC</sub> = VAG + 1 V	RNG = 0, PU = 1	—	4	10	μA

**NOTE:** Forcing DCC positive (ref. VAG) will result in a smaller voltage between the A and B wire. If too large of a signal is applied at DCC, both wires are clamped at the same voltage (only a small residual voltage remains on the line).

## 5.4.7 Characteristics for the Digital I/O Pins

These include CODSP, plus TST, PU, BR, RNG of SHLIC.

**Table 5-14. Digital I/O Characteristics**

Symbol	Parameter	Test Condition	Limits			Unit
			Min	Typ	Max	
V <sub>IL</sub>	Low-level input voltage		—	—	0.8	V
V <sub>IH</sub>	High-level input voltage		2.0	—	—	V
I <sub>IL</sub>	Low-level input current (except PU, see RPD below)	V <sub>DD</sub> = 5.25 V	-1	—	1	μA
I <sub>IH</sub>	High-level input current (except PU, see RPD below)	V <sub>DD</sub> = 5.25 V	-1	—	1	μA
C <sub>INP</sub> (*)	Input capacitance		—	—	7	pF
R <sub>PD</sub>	Pull-down resistance at pin PU		18	30	40	kΩ
V <sub>OL</sub>	Output level PU pin, driven low	Over-temperature OT activated, I <sub>PU</sub> = 0.2 mA, tested at high temperature only	—	—	0.5	V
V <sub>IL</sub>	Low-level input voltage, CODSP		—	—	0.5	V
V <sub>IH</sub>	High-level input voltage, CODSP		2.3	—	—	V
V <sub>OL</sub>	Low-level output voltage, CODSP		—	—	0.4	V
V <sub>OH</sub>	High-level output voltage, CODSP		2.3	—	—	V
C <sub>in</sub>	Input pin capacitance, CODSP		—	—	1	pF
C <sub>out</sub>	Load capacitance, CODSP		—	—	100	pF

**Table 5-15. Sense Bridge Inputs Characteristics**

Symbol	Parameter	Test Condition	Limits			Unit
			Min	Typ	Max	
R <sub>AW-SB</sub>	Bridge resistance from AW to SB	V <sub>DD</sub> , V <sub>AG</sub> = 0 V, 25°C	205	257	309	kΩ
R <sub>SA-BW</sub>	Bridge resistance from BW to SA	V <sub>DD</sub> , V <sub>AG</sub> = 0 V, 25°C	205	257	309	kΩ

## 5.4.8 Test Switch

The internal test switch is between pins SB and SSB. Connecting an external load between SSB and SA allows test of the transmission characteristics in (simulated) off- and on-hook conditions. The typical on-resistance of the test switch is around 75  $\Omega$ , and has to be taken into account when defining the external load. The test switch is on when RNG = 0, PU = 1, TST = 1, BR = 0.

**Table 5-16. Test Switch Characteristics**

Symbol	Parameter	Test Condition	Limits			Unit
			Min	Typ	Max	
I <sub>SWoff</sub>	Switch leakage current	V <sub>SSB</sub> - V <sub>SB</sub>   < 72 V	—	—	5	$\mu$ A
V <sub>SWon</sub>	Voltage drop over test switch	I <sub>SW</sub> = 80 mA	4	—	9	V
		I <sub>SW</sub> = 20 mA (V <sub>SSB</sub> - V <sub>SB</sub> > 0 V)	1	—	3	V

**NOTE:** The test switch is normally off when V<sub>DD</sub> is below the reset level. If the battery voltages are sufficient, the switch remains on, if it was on before V<sub>DD</sub> went below the reset level.

## 5.4.9 Battery Switch

This switch is activated during ringing or when the higher on-hook voltage is selected (RNG = 1). When active, BATR is connected to the internal battery supply line V<sub>BAT</sub>. In other cases (RNG = 0), the switch is open; V<sub>BAT</sub> is now connected to BATS via an internal diode.

**Table 5-17. Ringing Battery Switch Characteristics**

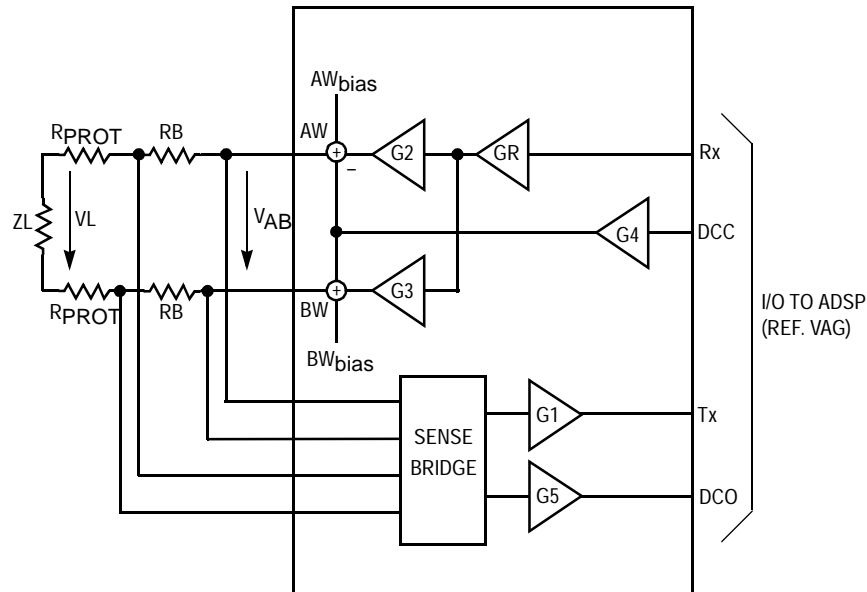
Symbol	Parameter	Test Condition	Limits			Unit
			Min	Typ	Max	
I <sub>BSWoff</sub> (*)	Leakage current battery switch (RNG = 0)	BATR = -72 V, BATS = -32 V	—	—	5	$\mu$ A
I <sub>REVBATS</sub> (*)	Reverse current BATS diode (RNG = 1)	BATR = -72 V, BATS = -32 V	—	—	5	$\mu$ A
V <sub>DRBATS</sub>	Forward drop BATS diode	Load current < 80 mA	—	0.85	1.2	V
I <sub>BSon</sub>	Current capability battery switch		0	—	80	mA
V <sub>BSWon</sub>	Voltage drop over battery switch (RNG = 1)	Load current < 80 mA	—	1	2	V

## 5.5 AC CHARACTERISTICS (SHLIC)

Unless otherwise stated, the characteristic limits apply over the operating conditions specified in Section 5.2 and each combination of the drive bits.

All parameters are specified in the presence of a longitudinal current of max 5 mA and a dc current of between 0 mA and the current limit. The behavior of the chip in the presence of longitudinal voltages is not tested in production.

The different gains in the signal paths are shown in Figure 5-1. The values of the gains are given in Table 5-18.



**Figure 5-1.** Block Diagram Showing Gains in Various Signal Paths in SHLIC

**Table 5-18.** Typical Gains

Gain	Factor
G1	1.66
G1'	0.079
G2	2
G3	-2
G4	15
G5	-1/8
GR	1
GR'	35/2



The gains in Table 5-18 are not tested. They are mentioned for information only. The pin-to-pin gains in Table 5-20 ( $G_{RX}$ ,  $G_{TX}$ , etc.) are tested and guaranteed. In case of ringing, the receive gain is changed from  $G_R$  to  $G_R'$ , the transmit gain factor  $G_1$  is changed to  $G_1'$ .

The default test condition of the input bits is:  $PU = 1$ ,  $RNG = 0$ ,  $BR = 0/1$ . DCC is shorted to VAG.

**NOTE** 0 dBm: 1 mW in 600 ohms.

### 5.5.1 Receive Path

The following equation is valid for an open loop configuration. This does not incorporate the  $Z_{CO}$  synthesis, which is defined by the feedback from Tx to Rx. This function is performed in the CODSP.

$$GRX = \frac{VAB}{VRX} = GR(G_3 - G_2)$$

### 5.5.2 Transmit Path

The following equation is valid under open loop conditions.

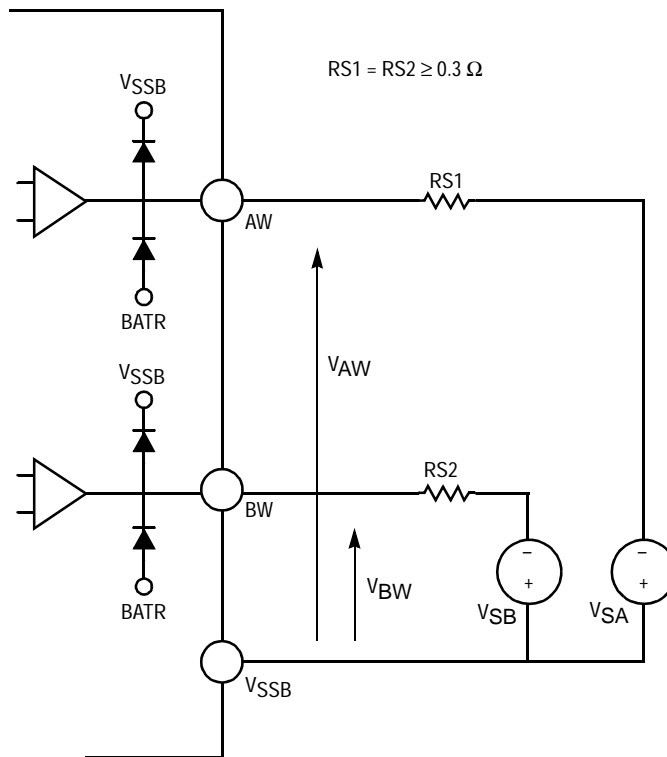
$$GRX = \frac{V_x}{V_L} = \frac{2RB}{ZL} G_1$$

### 5.5.3 Overpower and Short Circuit Protection

In power-down, the DC-loop current limitation is not active. The line current is limited directly through the line drivers.

The AW and BW outputs are fully protected against short circuits to a voltage between  $V_{SSA}/V_{SSB}$  and BATR (see Figure 5-2).

The current flowing from (or into) AW and/or BW is limited to a value  $I_{LW}/I_{HW}$  as long as the junction temperature  $T_J < 165^\circ\text{C}$  (electronic current limitation). The values for  $I_{LW}/I_{HW}$  for different conditions are given in the table below. If  $T_J$  rises above  $165^\circ\text{C}$  ( $\pm 15\%$ ) the output drivers' outputs are made high impedance. Current can only flow in or out of the internal protection diodes, in case  $V_{SA}$  and/or  $V_{SB}$  exceeds the range between  $V_{SS}$  and BATR. The currents should, however, be limited externally (internal clamping diodes protection) (see Section 2.2).



**Figure 5-2.** Short Circuit Protection

**Table 5-19.** Short Circuit Protection Characteristics

Symbol	Parameter	Test Condition	Limits			Unit
			Min	Typ	Max	
$I_{LW}$	Short circuit peak current, power-up, sink current	PU = 1	-145	-120	-95	mA
	Short circuit peak current, power-down, sink current	PU = 0	-65	-45	-20	mA
$I_{HW}$	Short circuit peak current, power-up, source current	PU = 1	95	120	145	mA
	Short circuit peak current, power-down, source current	PU = 0	20	45	65	mA

## 5.6 OFF-HOOK CHARACTERISTICS (MS140131KT SYSTEM)

**Table 5-20.** Off-Hook Characteristics (MS140131KT System)  
(Conditions: Refer to Section 5.2)

Parameter	Condition	Min	Max	Unit	Note
GTX	Relative gain, transmit direction	-6	1	dB	1
	Gain programming step	—	0.25		
	Step accuracy	—	0.1		
	Gain tolerance (ref. programmed value)	-0.5	0.5		
GRX	Relative gain, receive direction	-12	1	dB	1
	Gain programming step	—	0.25		
	Step accuracy	—	0.05		
	Gain tolerance (ref. programmed value)	-0.5	0.5		
dGLT	Long-term gain stability	-0.5	0.5	dB	2
GTTX	Gain tracking, Tx path			dB	3
	3 to -40 dBm0	-0.3	0.3		
	-40 to -50 dBm0	-0.6	0.6		
GTRX	Gain tracking, Rx path			dB	3
	3 to -40 dBm0	-0.3	0.3		
	-40 to -50 dBm0	-0.6	0.6		
IMDTX	Intermodulation distortion, Tx path	—	-45	dBm0	4
IMDRX	Intermodulation distortion, Rx path	—	-50	dBm0	4
SDTX	Signal to total distortion ratio, Tx (gain = 0 dB)			dB	5
	0 to -10 dBm0	35	—		
	-20 dBm0	34.7	—		
	-30 dBm0	32.9	—		
	-40 dBm0	24.9	—		
SDRX	Signal to total distortion ratio, Rx (gain = -7 dB)			dB	5
	0 to -10 dBm0	35	—		
	-20 dBm0	33.8	—		
	-30 dBm0	28.8	—		
	-40 dBm0	19.5	—		
SFNRX	Single frequency noise			dB	
	300 to 3400 Hz, all out-of-band frequencies	—	-40		
	700 to 1100 Hz in-band 300 to 3400 Hz	—	-49		
	Longitudinal balance	1%	40	dB	
	Resistor matching	0.1%	46	dB	

- NOTES:**
1. User programmable.
  2. Covers variations within the permitted ranges of supply voltage and temperature during any one year.
  3. Referred to the gain at 1020 Hz applied to the input at a level -10 dBm0.
  4. Intermodulation distortion measured for all intermodulation products of any non-harmonically related frequencies in the range 300 to 3400 Hz for levels between -4 and -21 dBm0.
  5. Intermodulation distortion measured for all intermodulation products of a frequency in the range 300 to 3400 Hz at -9 dBm0 and 50 Hz at -23 dBm0.



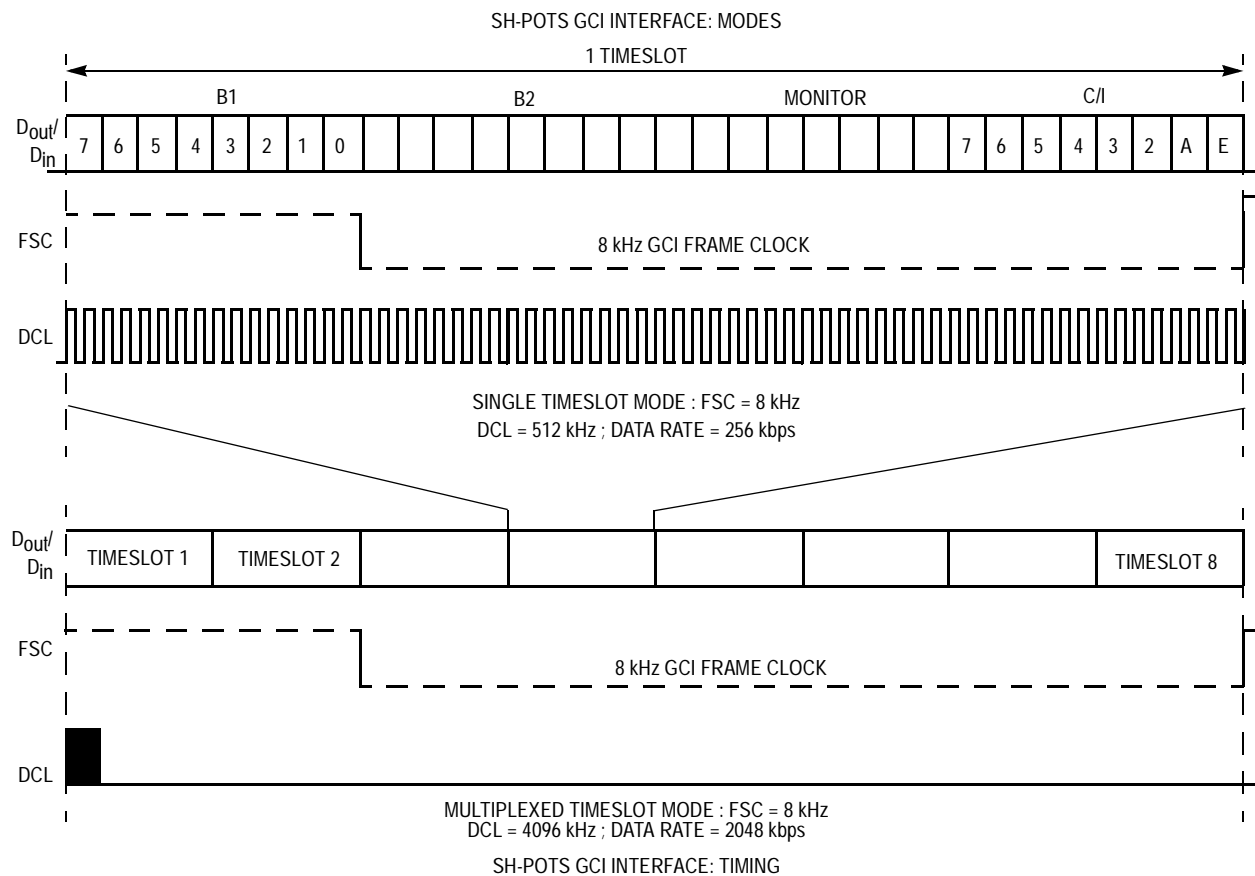
# SECTION 6

## DETAILED PROGRAMMING DESCRIPTION

### 6.1 GCI INTERFACE

The SH-POTS system uses the GCI standard interface to exchange B channel data (PCM-coded voice) and control information with the controlling system. GCI data is exchanged in both directions (downstream, towards the analog line; and upstream, from the analog line) in 4-byte frames at a rate of 8000 frames per second (the standard PCM sampling rate). See Figure 6-1.

Voice information or data is transmitted via “bearer” channels B1 and B2. Real-time signalling information for the two channels are communicated via the six C/I bits (the two least significant bits of the C/I byte are used to manage communication via the monitor channel). Programming and status information is communicated by means of commands over the monitor channel.



**Figure 6-1. GCI Data Exchange**

## 6.2 TIMESLOT ADDRESS

Frames can be formatted singly (four bytes per frame), or in a multiplexed mode whereby up to eight GCI-compatible devices can be connected to the same bus. In the multiplexed mode, the frames of four bytes are transmitted in one of eight timeslots — the mode and the timeslot address of a particular GCI terminal is set by means of strapping a code on three device pins GCIM and AD0 to AD2 on the CODSP (see Table 6-1). The CODSP uses the GCI standard format for analog terminals (see Figure 6-2).

**Table 6-1.** GCI Mode and Timeslot Address Programming

GCIM	AD2	AD1	AD0	Timeslot Mode	DCL Frequency (kHz)	Timeslot Address
0	0	0	0	1	512	0
0	0	0	1	3	1536	0
0	0	1	0	3	1536	1
0	0	1	1	3	1536	2
0	1	0	0	4	2048	0
0	1	0	1	4	2048	1
0	1	1	0	4	2048	2
0	1	1	1	4	2048	3
1	0	0	0	8	4096	0
1	0	0	1	8	4096	1
1	0	1	0	8	4096	2
1	0	1	1	8	4096	3
1	1	0	0	8	4096	4
1	1	0	1	8	4096	5
1	1	1	0	8	4096	6
1	1	1	1	8	4096	7

## 6.3 SH-POTS GCI INTERFACE: TIMING

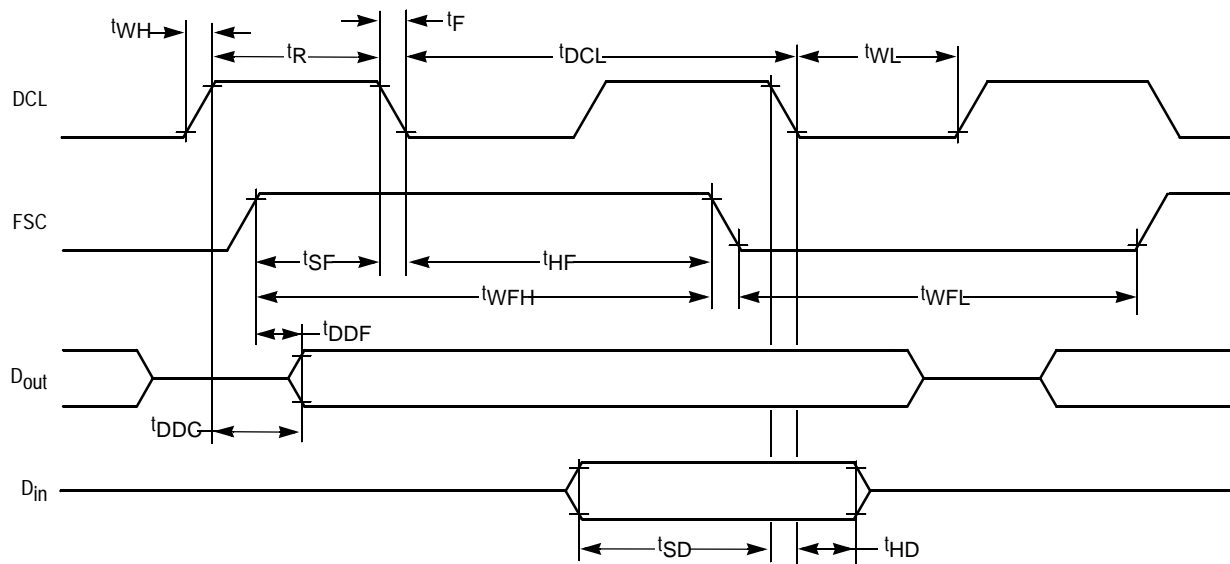


Figure 6-2. GCI Timing Diagram

Table 6-2. GCI Interface: Timing Characteristics

Signal	Parameter	Description	Min	Max	Unit
Inputs	$V_{IL}$	Input level low	—	0.8	V
Inputs	$V_{IH}$	Input level high	2.0	—	V
$D_{out}$	$V_{OL}$	Output level low	—	0.4	V
$D_{out}$	$V_{OH}$	Output level high	2.4	—	V
DCL(2)	$t_{DCL}$	Clock period	1952	1955	ns
DCL(2)	$t_R, t_F$	Clock rise/fall	—	60	ns
DCL(2)	$t_{WH}, t_{WH}$	Pulse width	800	—	ns
DCL(3)	$t_{DCL}$	Clock period	243.9	244.3	ns
DCL(3)	$t_{WL}, t_{WH}$	Pulse width	90	—	ns
FSC	$t_{SF}$	Frame setup	70	DCL-60	ns
FSC	$t_R, t_F$	Frame rise/fall	—	60	ns
FSC	$t_{WFH}$	Frame width H	130	—	ns
FSC	$t_{WFL}$	Frame width L	$t_{DCL}$	—	ns
FSC	$t_{HF}$	Frame hold	60	—	ns
$D_{out}(1)$	$t_{DDC}$	Data delay/clock	—	100	ns
$D_{out}(1)$	$t_{DDF}$	Data delay/frame	—	150	ns
$D_{in}$	$t_{SD}$	Data setup	$t_{WH} + 20$	—	ns
$D_{in}$	$t_{HD}$	Data hold	60	—	ns
	(1)	Condition $C_L = 150$ pF	—	—	
	(2)	256 kbps transmission	—	—	
	(3)	2048 kbps transmission	—	—	

## 6.4 C/I BITS

The C/I bits are used to transfer signalling information for both channels simultaneously. The C/I bits must be stable for at least two consecutive GCI frames before they will be recognized.

The bit allocations for both downstream and upstream directions are shown in Table 6-3. Note that the signals are active low, meaning that the idle condition is a logic 1.

Table 6-3. C/I Bit Allocation

Direction	C/I 7	C/I 6	C/I 5	C/I 4	C/I 3	C/I 2
Downstream	$\overline{\text{RNG0}}$	$\overline{\text{MPI0}}$	$\overline{\text{ADSI0}}$	$\overline{\text{RNG1}}$	$\overline{\text{MPI1}}$	$\overline{\text{ADSI1}}$
Upstream	$\overline{\text{LS0}}$	$\overline{\text{AL0}}$	$\overline{\text{RPH0}}$	$\overline{\text{LS1}}$	$\overline{\text{AL1}}$	$\overline{\text{RPH1}}$

$\overline{\text{RNG}}$  Activate ringing.

$\overline{\text{MPI}}$  Activate metering pulse.

$\overline{\text{ADSI}}$  Activate on-hook signalling.

$\overline{\text{LS}}$  Off-hook condition detected (loop stable).

$\overline{\text{AL}}$  Alarm (indicates any of the possible alarm conditions: inirequest, overpower detected).

$\overline{\text{RPH}}$  Ring phase. Indicates that ADSI data can not be sent.

## 6.5 MONITOR CHANNEL

The CODSP acts as a slave device on the GCI — commands received in the downstream direction are responded to in the upstream direction.

The E and A bits in the C/I byte are used to synchronize and acknowledge the correct transfer of a monitor channel byte.

Valid commands are:

ID Request	1 0 0 0 0 0 0 0
Write Request	1 0 0 0 1 B B B
Read Request	1 0 0 1 1 B B B

(BBB is the memory block identifier or “MemID” — see below.) Other commands should not be used.

## 6.6 ID REQUEST

The ID request command returns two bytes:

Byte 1	1 0 0 0 0 0 0 0	Command Confirmation
Byte 2	1 0 R R R R R R	Revision Code

This command returns a unique code for each device revision.



## 6.7 READ COMMAND

A read request command comprises 3 bytes:

Read Request	Address High	Address Low
1 0 0 1 1 B B B	n n n n n n n n	n n n n n n n n

The response is a 5-byte stream:

Command Conf.	Address High	Address Low	Data High	Data Low
1 0 0 1 1 B B B	n n n n n n n n	n n n n n n n n	d d d d d d d d	d d d d d d d d

## 6.8 WRITE COMMAND

The write command comprises 5 bytes:

Command Conf.	Address High	Address Low	Data High	Data Low
1 0 0 0 1 B B B	n n n n n n n n	n n n n n n n n	d d d d d d d d	d d d d d d d d

No bytes are returned.

## 6.9 MEMORY MAP OF THE CODSP

Global memory map and MemID definitions:

- All addresses can be read and written, though writing to locations or individual bits which are not described here may result in unpredictable behavior.
- The default parameter and coefficient values that are used at startup and after reset are listed in the following tables.
- The memory block to be accessed is given as part of the READ or WRITE command (see above) as the “B” bits in the command byte.
- The control registers of the SH-POTS system, accessed via the GCI, are organized in a number of memory blocks. Within each block, a number of addresses are used directly to control the operation of specific functions of the SH-POTS system.

**Table 6-4.** Memory Map for CODSP

MemID	Memory	Start Address	Memory Contents
2	Data RAM	0x 02 0000	C-code read/write data C-code stack region C-code IRQ stack region
4	Coprocessor Coef RAM	0x 04 0000	Filter coefficients
5	Shared RAM	0x 05 0000	Data packet buffers Label vectors, FIFO control

## 6.10 DATA RAM — MEMID = 2

**Table 6-5.** Data RAM: Memory Map

Address	15	14	13	12	11	10	9	8	7	6	5	4	3	2	1	0
00 (0x0000)										Bbs0	Bsa0	Bs0	Br0	Tst0	Sh0	
01 (0x0001)										Bbs1	Bsa1	Bs1	Br1	Tst1	Sh1	
02 (0x0002)																
03 (0x0003)	Tx Gain 0															
04 (0x0004)	Tx Gain 1															
05 (0x0005)	Rx Gain 0															
06 (0x0006)	Rx Gain 1															
07 (0x0007)															Dzd1	Dzd0
08 (0x0008)															Td1	Td0
09 (0x0009)	CurLim_Rlarge								CurLim_Threshold							
10 (0x000A)											RW		RIL	RM	RF	
11 (0x000B)	Ringing_DC_Offset								Ringing_Amplitude							
12 (0x000C)	Ringing_Off_Period								Ringing_On_Period							
13 (0x000D)													LBO			
14 (0x000E)	RTDAC_ThresholdLow								RTDAC_ThresholdHigh							
15 (0x000F)	RTDAC_Debouncetime								RTDAC_GapTime							
16 (0x0010)															AlarmReg	
17 (0x0011)	IDC0								IDC1							
18 (0x0012)	IAC0															
19 (0x0013)	IAC1															
20 (0x0014)													TG1	TG0	MS1	MS0
21 (0x0015)											TestTone_Ampl1_L0					
22 (0x0016)											TestTone_Ampl1_L1					
23 (0x0017)											TestTone_Ampl2_L0					
24 (0x0018)											TestTone_Ampl2_L1					
25 (0x0019)	TestTone_Freq1_L0															

**Table 6-5. Data RAM: Memory Map (continued)**

Address	15	14	13	12	11	10	9	8	7	6	5	4	3	2	1	0
26 (0x001A)	TestTone_Freq1_L1															
27 (0x001B)	TestTone_Freq2_L0															
28 (0x001C)	TestTone_Freq2_L1															
29 (0x001D)	ACG															
30 (0x001E)			Sleep2	Pd1	Pd0						Rzd1	Rzd0			Sleep1	
31 (0x001F)	DialP_SatTxLevel															
32 (0x0020)	DialP_DebTime															

**NOTE:** Bit positions and memory locations not documented must not be changed.

## 6.11 LBO REGISTER

This register controls various loopback modes, as well as the routing of the GCI B channels to or from the physical line analog channels. The bits are codes as shown in Table 6-6.

**Table 6-6. LBO Register Description**

Mode	D2	D1	D0	GCI Side	Analog Side
Normal	0	0	0	Tx(0) -> B1Up Tx(1) -> B2Up	B1Down -> Rx(0) B2Down -> Rx(1)
Simplex loop B2	0	0	1	Tx(0) -> B1Up B2Down -> B2Up	B1Down -> Rx(0) Tx(1) -> Rx(1)
Simplex loop B1	0	1	0	B1Down -> B1Up Tx(1) -> B2Up	Tx(0) -> Rx(0) B2Down -> Rx(1)
Simplex loop B1 and B2	0	1	1	B1Down -> B1Up B2Down -> B2Up	Tx(0) -> Rx(0) Tx(1) -> Rx(1)
Duplex loopback	1	0	0	B2Down -> B1Up B1Down -> B2Up	Tx(0) -> Rx(1) Tx(1) -> Rx(0)
Reserved	1	0	1		
Reserved	1	1	0		
Swap mode	1	1	1	Tx(0) -> B2Up Tx(1) -> B1Up	B1Down -> Rx(1) B2Down -> Rx(0)

BnDown: GCI B channel 1 or 2, downstream direction.

BnUp: GCI B channel 1 or 2, upstream direction.

Tx(m): Analog "transmit" signal (upstream direction), line 1 or 2.

Rx(m): Analog "receive" signal (downstream direction), line 1 or 2.

## 6.12 ALARM BITS

- After initialization (e.g., due to a hardware reset), the CODSP itself will make the upstream CI/Alarm bit active, and set the AlarmReg with an InitRequest value (i.e., “1xx”). The CI/Alarm bit will remain active until the InitRequest is cleared by the GCI supervisor (indicating that the supervisor has done the necessary reinitialization of system parameters).
- In order to check the contents of the AlarmReg, execute the following GCI command:

```
ReadRequest ( MemId=2, Add=0x0010 );
```

This results in a four-nibble value; e.g., “0xabgd,” read by the supervisor.

- In order to clear the InitRequest alarm, in principle, one must only clear one bit. Therefore, the supervisor should execute the following commands:

```
NewValue = "0xabgd" AND "0xFFFB";
```

```
WriteRequest ( MemId=2, Add=0x0010, NewValue );
```

- Note that the other bits in the alarm register are updated by the DSP at a 8 kHz rate, and that they are only used by the GCI supervisor; therefore, the other bits might also be overwritten for one cycle, clearing all bits (inclusive the InitRequest bit) in one command:

```
WriteRequest ( MemId=2, Add=0x0010, 0x0000 );
```

## 6.13 MEANING AND DEFAULT VALUES OF THE PARAMETERS

**Table 6-7. Data RAM: Description and Default Values**

Name (Note 1)	Address	Position	Description	Mapping	Default
Sh0, Sh1	00, 01	0	SHLIC test mode control bit	0: normal mode 1: test mode	0 (normal)
Tst0, Tst1	00, 01	1	SHLIC test switch control bit	0: open switch 1: closed switch	0 (open)
Br0, Br1	00, 01	2	SHLIC battery reversal control bit	0: non-reversed 1: reversed	0 (non rev.)
Bs0, Bs1	00, 01	3	SHLIC battery selection control bit for NonAct_X variant	0: BATS selection L 1: BATR selection H	0 (NonAct_L)
Bsa0, Bsa1	00, 01	4	SHLIC battery selection control bit for ActAdsi_X variant	0: BATS selection L 1: BATR selection H	0 (ActAdsi_L)
Bbs0, Bbs1	00, 01	6:5	SHLIC battery selection control bit for ActRng_Sph_X variant	0 = "00":BATS L 1 = "01":BATR H 2 = "10":BATS + bias LA 3 = "11":BATR + bias HA	0 (ActRng_Sph_L)

**Table 6-7.** Data RAM: Description and Default Values (continued)

Name (Note 1)	Address	Position	Description	Mapping	Default
Tx_Gain_0 Tx_Gain_1	03 04	15:0	Gain factor in Tx direction for Line0 and Line1	$20 \log \frac{\text{Tx-Gain}_*}{320}$	320 (0 dB)
Rx_Gain_0 Rx_Gain_1	05 06	15:0	Gain factor in Rx direction for Line0 and Line1	$-7 + 20 \log \frac{\text{Rx-Gain}_*}{384}$	384 (-7dB)
Dzd1, Dzd0	07	1:0	Disable digital Z <sub>CO</sub> path	0: enable 1: disable	1 (disabled)
Td1, Td0	08	1:0	Disable Tx path at pdm level	0: enable 1: disable	0 (enabled)
CurLim_Threshold	09	7:0	Current limitation threshold parameter	val = 0 ... 127 unit = 0.63 mA (eq = 0 ... 80 mA)	51 (32 mA)
CurLim_RLarge	09	15:8	Current limitation RLarge resistance parameter (internal resistance)	val = 0 ... 210 unit = 47 (eq = 0 ... 10 kΩ)	64 (3 kΩ)
RF	10	1:0	Ringing frequency	0 = "00": 16 Hz 1 = "01": 20 Hz 2 = "10": 25 Hz 3 = "11": 50 Hz	3 (50 Hz)
RM	10	2	Ringing mode	0: on/off mode 1: burst mode	0 (on/off)
RIL	10	3	Enable interleaved ringing	0: non-interleaved 1: interleaved	1 (interleaved)
RW	10	5	Ringing waveform	0: sine wave 1: trapezoidal wave	0 (sine)
Ringing_Amplitude	11	7:0	Amplitude of ringing signal	val = 0 ... 255 unit = 194 mV rms	255 (max ampl)
Ringing_DC_Offset	11	15:8	DC offset of ringing signal (Between A and B wire)	val = 0 ... 255 unit = 250 mV	0 (no offset)
Ringing_On_Period	12	7:0	Length of active ringing phase to be used in burst mode	val = 0 ... 255 unit = 32 ms	32 (1 s)
Ringing_Off_Period	12	15:8	Length of silent ringing phase to be used in burst mode	val = 0 ... 255 unit = 32 ms	96 (3 s)
LBO	13	3:0	GCI loopback register (encoding see below)	val = 0 ... 15	0 (no loop)
RTDAC_ThresholdHigh	14	7:0	Threshold level high during ringing	val = 0 ... 255 unit = 1.6 mA	27 (43.2 mA)
RTDAC_ThresholdLow	14	15:8	Threshold level low during ringing	val = 0 ... 255 unit = 1.6 mA	7 (11.2 mA)
RTDAC_GapTime	15	7:0	Gaptime during RTDAC peak detection	val = 0 ... 255 unit = 125 μs	10 (1.25 ms)
RTDAC_Debouncetime	15	15:8	Deb. time during RTDAC	val = 0 ... 255 unit = 125 μs	240 (30 ms)

**Table 6-7. Data RAM: Description and Default Values (continued)**

Name (Note 1)	Address	Position	Description	Mapping	Default
AlarmReg	16	2:0	Alarm status register (encoding)	val = 0 ... 7	4 (InitReq'st)
IDC1	17	7:0	DC line current of Line1, sampled at 2 kHz	val = 0 ... 127 unit = 0.63 mA	0
IDC0	17	15:8	DC line current of Line0, sampled at 2 kHz	val = 0 ... 127 unit = 0.63 mA	0
IAC0	18	15:0	AC line current of Line0, sampled at 8 kHz	unit = 215/1.6 V @ Tx	0
IAC1	19	15:0	AC line current of Line1, sampled at 8 kHz	unit = 215/1.6 V @ Tx	0
TG1, TG0	20	3, 2	Tone generator control bit for Line1 and Line0	0 : do not add tone 1 : add tone	0 (no tone)
MS1, MS0	20	1, 0	Mute speech control bit for Line1 and Line0	0 : pass speech 1 : mute speech	0 (no mute)
TestTone_Ampl1_L0 TestTone_Ampl1_L1	21 22	7:0	Amplitude of first sine for Line0 and Line1	val = 0 ... 255	63 (0 dBm)
TestTone_Ampl2_L0 TestTone_Ampl2_L1	23 24	7:0	Amplitude of second sine for Line0 and Line1	val = 0 ... 255	63 (0 dBm)
TestTone_Freq1_L0 TestTone_Freq1_L1	25 26	15:0	Frequency of first sine for Line0 and Line1	unit = 250 Hz/256	1024/256 (1 kHz)
TestTone_Freq2_L0 TestTone_Freq2_L1	27 28	15:0	Frequency of second sine for Line0 and Line1	unit = 250 Hz/256	512/256 (500 Hz)
ACG	29	7:0	Rx amplitude correction for Z <sub>CO</sub> synthesis	val = 0 ... 255/128	103/128 (600 Ω)
Pd1, Pd0	30	11:10	Power denial mode Line1	1 = enable 0 = disable	0 (disable)
Sleep2 (Note 2)	30	13:12	Low power activation	00 = inactive 11 = active	00 active
Sleep1 (Note 2)	30	2:0	Sleep factor to be used when one line inactive	val = 0 ... 7 eq = 0 ... 70% sleepy	0 (0% sleep)
Rzd1, Rzd0	30	4:3	Disable analog Z <sub>CO</sub> path	0: enable 1: disable	0 (enabled)
DialP_SatTxLevel	31	15:0	Tx saturation level to be used for dial pulse detection	unit = 48.83 μV @ Tx	8192 (400 mV)
DialP_DebTime	32	15:0	Debounce time to be used for dial pulse detection	unit = 125 μs	40 (5 ms)

**NOTES:** 1. Parameter names with 0 or 1 at the end refer to the analog Line0 or Line1.

2. In low power applications: recommended program value is sleep 1 = 5 combined with sleep 2 = 3 will save power consumption when only one line off-hook.

## 6.14 COPROCESSOR COEFFICIENT RAM — MEMID = 4

Access is similar to that of the data RAM parameters. Note, however, that the GCI commands work with 2-byte values whereas the memory contains only 3-nibble values. Because all values are <12, 0>, the most significant nibble of the 2-byte GCI value will be a sign-extension of the 12-bit value. In the case of a ReadRequest; the most significant nibble of a WriteRequest will be neglected.

**Table 6-8.** Coprocessor Coefficient RAM: Memory Map

Address	11	10	9	8	7	6	5	4	3	2	1	0
00 (0x0000)	Rx32KFilter coefficient : r0											
01 (0x0001)	r1											
02 (0x0002)	r4											
03 (0x0003)	s1											
04 (0x0004)	s2											
05 (0x0005)	r2											
06 (0x0006)	r3											
07 (0x0007)	r5											
08 (0x0008)	s3											
09 (0x0009)	s4											
10 (0x000A)	m0											
11 (0x000B)	m1											
12 (0x000C)	u0											
13 (0x000D)	u1											
14 (0x000E)	Hyb16KFilter coefficient : h0											
15 (0x000F)	h1											
16 (0x0010)	h2											
17 (0x0011)	h3											
18 (0x0012)	a0											
19 (0x0013)	c5											
20 (0x0014)	b0											
21 (0x0015)	Tx32KFilter coefficient : t0											
22 (0x0016)	t1											
23 (0x0017)	t8											
24 (0x0018)	q1											
25 (0x0019)	q2											
26 (0x001A)	t2											
27 (0x001B)	t3											
28 (0x001C)	t9											
29 (0x001D)	q3											
30 (0x001E)	q4											
31 (0x001F)	t4											
32 (0x0020)	t5											

**Table 6-8.** Coprocessor Coefficient RAM: Memory Map (continued)

Address	11	10	9	8	7	6	5	4	3	2	1	0
33 (0x0021)	t10											
34 (0x0022)	q5											
35 (0x0023)	t6											
36 (0x0024)	t7											
37 (0x0025)	t11											
38 (0x0026)	q6											
39 (0x0027)	q7											
40 (0x0028)	c2											
41 (0x0029)	c3											
42 (0x002A)	ZcoTxFilter coefficient : Ftx											
43 (0x002B)	Ap											
44 (0x002C)	NAn											
45 (0x002D)	Constants : HLF											
46 (0x002E)	ONE_EIGHT											

## 6.15 MEANING AND DEFAULT VALUES OF THE PARAMETERS

**Table 6-9.** Coprocessor Coefficient RAM: Description and Default Values

Name	Address	Position	Description	Mapping	Default
r0	00	11:0	Rx filter coefficient	unit = intval / 512	96
r1	01	11:0	Rx filter coefficient	unit = intval / 512	-78*
r4	02	11:0	Rx filter coefficient	unit = intval / 512	96
s1	03	11:0	Rx filter coefficient	unit = intval / 512	642
s2	04	11:0	Rx filter coefficient	unit = intval / 512	-263*
r2	05	11:0	Rx filter coefficient	unit = intval / 512	256
r3	06	11:0	Rx filter coefficient	unit = intval / 512	-303*
r5	07	11:0	Rx filter coefficient	unit = intval / 512	256
s3	08	11:0	Rx filter coefficient	unit = intval / 512	746
s4	09	11:0	Rx filter coefficient	unit = intval / 512	-450*
m0	10	11:0	Rx filter coefficient	unit = intval / 512	512
m1	11	11:0	Rx filter coefficient	unit = intval / 512	512
u0	12	11:0	Rx filter coefficient	unit = intval / 512	0
u1	13	11:0	Rx filter coefficient	unit = intval / 512	0
h0	14	11:0	Echo cancelling coefficient	unit = intval / 512	4
h1	15	11:0	Echo cancelling coefficient	unit = intval / 512	-22*
h2	16	11:0	Echo cancelling coefficient	unit = intval / 512	105
h3	17	11:0	Echo cancelling coefficient	unit = intval / 512	95



**Table 6-9.** Coprocessor Coefficient RAM: Description and Default Values (continued)

Name	Address	Position	Description	Mapping	Default
a0	18	11:0	Echo cancelling coefficient	unit = intval / 512	0
c5	19	11:0	Echo cancelling coefficient	unit = intval / 512	0
b0	20	11:0	Echo cancelling coefficient	unit = intval / 512	0
t0	21	11:0	Tx filter coefficient	unit = intval / 512	48
t1	22	11:0	Tx filter coefficient	unit = intval / 512	-37*
t8	23	11:0	Tx filter coefficient	unit = intval / 512	48
q1	24	11:0	Tx filter coefficient	unit = intval / 512	728
q2	25	11:0	Tx filter coefficient	unit = intval / 512	-439*
t2	26	11:0	Tx filter coefficient	unit = intval / 512	390
t3	27	11:0	Tx filter coefficient	unit = intval / 512	-492*
t9	28	11:0	Tx filter coefficient	unit = intval / 512	390
q3	29	11:0	Tx filter coefficient	unit = intval / 512	573
q4	30	11:0	Tx filter coefficient	unit = intval / 512	-227*
t4	31	11:0	Tx filter coefficient	unit = intval / 512	64
t5	32	11:0	Tx filter coefficient	unit = intval / 512	128
t10	33	11:0	Tx filter coefficient	unit = intval / 512	64
q5	34	11:0	Tx filter coefficient	unit = intval / 512	442
t6	35	11:0	Tx filter coefficient	unit = intval / 512	384
t7	36	11:0	Tx filter coefficient	unit = intval / 512	768
t11	37	11:0	Tx filter coefficient	unit = intval / 512	384
q6	38	11:0	Tx filter coefficient	unit = intval / 512	962
q7	39	11:0	Tx filter coefficient	unit = intval / 512	-458*
c2	40	11:0	Tx filter coefficient	unit = intval / 512	512
c3	41	11:0	Tx filter coefficient	unit = intval / 512	-512*
Ftx	42	11:0	Z <sub>CO</sub> Tx filter coefficient	unit = intval / 512	237
Ap	43	11:0	Z <sub>CO</sub> Tx filter coefficient	unit = intval / 512	0
NAn	44	11:0	Z <sub>CO</sub> Tx filter coefficient	unit = intval / 512	0
HLF	45	11:0	Constant definition	unit = intval / 512	256
ONE_EIGHT	46	11:0	Constant definition	unit = intval / 512	64

\*For negative values, 2's complement is used.

## 6.16 SHARED MEMORY — MEMID = 5

Table 6-10. Shared Memory: Memory Map

Address	15	14	13	12	11	10	9	8	7	6	5	4	3	2	1	0
85 (0x0055)	VLM			HT		Deb					MF	MM				
86 (0x0056)	SpiDo	SpiDi	SpiSk	SpiCs	SpiSe	RBD				SR*	SR*				SR*	SR*
87 (0x0057)	HSD_ThresholdHigh						HSD_ThresholdLow									
88 (0x0058)	RTD_ThresholdHigh						RTD_ThresholdLow									
89 (0x0059)	MeteringDutyCycle															
90 (0x005A)	ZcoShAlfa3		ZcoA2						Rxd*		Alo*		Sleep*			
91 (0x005B)						RZco			ZcoGamma			ZcoAlfa3				
94 (0x005E)															TL	

**NOTE:** Bit positions and memory locations not described here must not be changed.

## 6.17 MEANING AND DEFAULT VALUES OF THE PARAMETERS

Table 6-11. Shared Memory: Description and Default Values

Name	Address	Position	Description	Mapping	Default
VLM	85	14:11	Metering amplitude (unit value = depending on ZCO)	val = 0 ... 15	3
HT	85	10:9	HSD debounce time	0 = "00": 8 ms 1 = "01": 24 ms 2 = "10": 16 ms 3 = "11": 64 ms	2 (16 ms)
DEB	85	8	RTD debounce time	0 : 0 ms 1 : 30 ms	1 (30 ms)
MF	85	4	Metering frequency	0 : 12 kHz 1 : 16 kHz	1 (16 kHz)
MM	85	3	Metering mode	0 : burst mode 1 : on/off mode	1 (on/off)
SPIDO	86	15	SPI D <sub>Out</sub> port		0
SPIDI	86	14	SPI D <sub>In</sub> port		0
SPISK	86	13	SPI SK port		0
SPICS	86	12	SPI CS port		0

**Table 6-11.** Shared Memory: Description and Default Values (continued)

Name	Address	Position	Description	Mapping	Default
SPISE	86	11	SPI port selection		0
RBD	86	10	Disable automatic ring activation of SPICK and SPICK	1 = disabled 0 = enabled	0 (enabled)
SR (Note 1)	86	5:4 1:0	Software resets of SID1, SID0, CP, GCI	1 = reset block 0 = no reset	0
Soft Resets (Note 2)	86	5:0	Reset ability of HW blocks (SID0, SID1, MRT, LS, CP, GCI)	0: no reset 1: reset block	0 (no reset)
HSD_ThresholdHigh	87	13:7	HSD high threshold	val = 0 ... 127 unit = 0.63 mA = 0 ... 80 mA	16 (10 mA)
HSD_ThresholdLow	87	6:0	HSD low threshold	val = 0 ... 127 unit = 0.63 mA = 0 ... 80 mA	10 (6.3 mA)
RTD_ThresholdHigh	88	13:7	RTD high threshold	val = 0 ... 127 unit = 0.63 mA = 0 ... 80 mA	16 (10 mA)
RTD_ThresholdLow	88	6:0	RTD low threshold	val = 0 ... 127 unit = 0.63 mA = 0 ... 80 mA	10 (6.3 mA)
MeteringDutyCycle	89	15:8	Length of the metering burst to be used in "burst" metering mode	val = 0 ... 255 unit = 2 ms = 0 ... 510 ms	150 (300 ms)
ZcoShAlfa3	90	15:1	Central office impedance parameter	(Note 1)	0 (600 $\Omega$ )
ZcoA2	90	13:7	Central office impedance parameter	(Note 1)	0 (600 $\Omega$ )
RxD (Note 1)	90	6	RxDisable at input of analog part	0: enabled Rx path 1: disable Rx path	0 (enabled)
ALO (Note 2)	90	4	Analog loopback at pdm	0: disabled loop 1: enable loop	0 (disabled)
Sleep (Note 2)	90	2:0	Sleep factor actually used by the processor	val = 0 ... 7 = 0 ... 70% sleepy	0 (0% sleep)
RZco	91	11:8	Central office impedance parameter	(Note 1)	3 (600 $\Omega$ )
ZcoGamma	91	7:4	Central office impedance parameter	(Note 1)	0 (600 $\Omega$ )
ZcoAlfa3	91	3:0	Central office impedance parameter	(Note 1)	0 (600 $\Omega$ )
TL	94	1:0	Transcode law selection	0 = "00": A Law 1 = "01": $\mu$ Law 2 = "10": Linear	0 (A-Law)

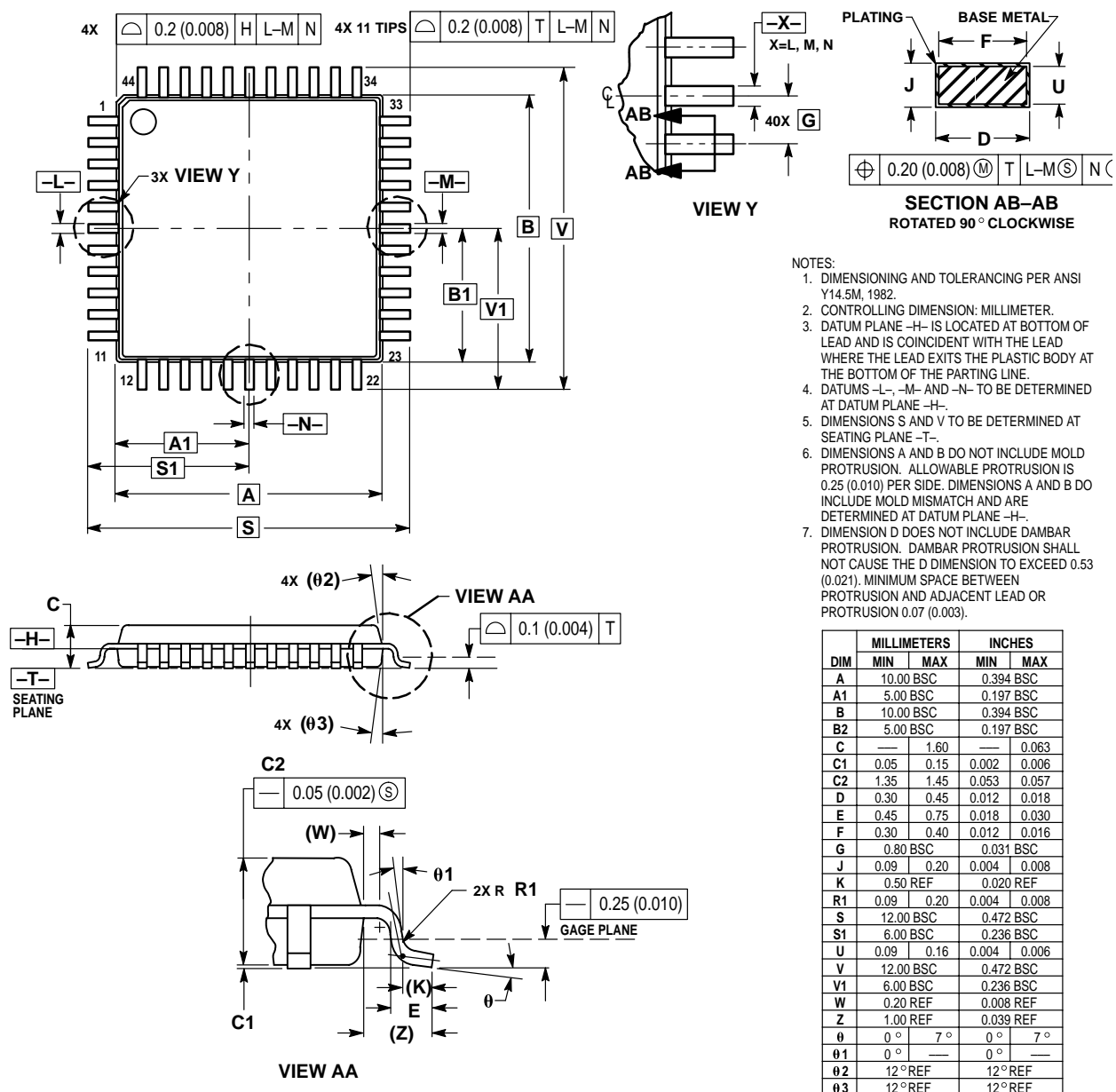
**NOTES:** 1. Examples of other Z<sub>CO</sub> parameters are listed in Table 4-4. Otherwise, contact a Motorola sales office.  
2. Do not change these values.



# SECTION 7 MECHANICAL SPECIFICATIONS

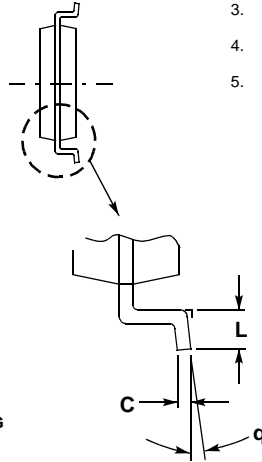
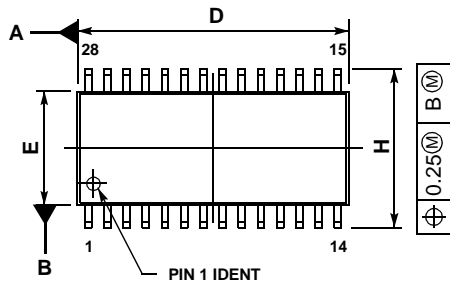
## 7.1 MC1420232 PACKAGE DIMENSIONS

FU SUFFIX  
TQFP PACKAGE  
CASE 824D-02



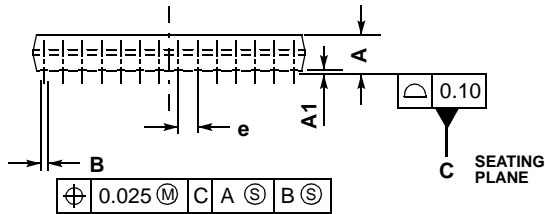
## 7.2 MC1430132 PACKAGE DIMENSIONS

DW SUFFIX  
SOIC PACKAGE  
CASE 751F-05

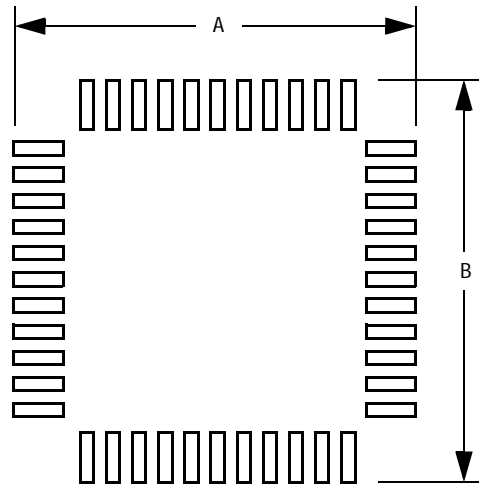


- NOTES:
1. DIMENSIONS ARE IN MILLIMETERS.
  2. INTERPRET DIMENSIONS AND TOLERANCES PER ASME Y14.5M, 1994.
  3. DIMENSIONS D AND E DO NOT INCLUDE MOLD PROTRUSIONS.
  4. MAXIMUM MOLD PROTRUSION 0.015 PER SIDE.
  5. DIMENSION B DOES NOT INCLUDE DAMBAR PROTRUSION. ALLOWABLE DAMBAR PROTRUSION SHALL BE 0.13 TOTAL IN EXCESS OF B DIMENSION AT MAXIMUM MATERIAL CONDITION.

DIM	MILLIMETERS	
	MIN	MAX
A	2.35	2.65
A1	0.13	0.29
B	0.35	0.49
C	0.23	0.32
D	17.80	18.05
E	7.40	7.60
e	1.27 BSC	
H	10.05	10.55
L	0.41	0.90
q	0 x	8 x



### 7.3 RECOMMENDED PAD LAYOUT FOR 44-LEAD TQFP MC1420232




Solder Pad Size:  $W = 0.55 \text{ mm} \times L = 2.0 \text{ mm}$

Solder Pad Pitch: 0.8 mm (center to center)

Toe to Toe Dimension:  $A = 14.2 \text{ mm} \times B = 14.2 \text{ mm}$

**Figure 7-1.** Recommended Pad Layout for 44-Lead TQFP MC1420232

Digital DNA is a trademark of Motorola, Inc.

Motorola reserves the right to make changes without further notice to any products herein. Motorola makes no warranty, representation or guarantee regarding the suitability of its products for any particular purpose, nor does Motorola assume any liability arising out of the application or use of any product or circuit, and specifically disclaims any and all liability, including without limitation consequential or incidental damages. "Typical" parameters can and do vary in different applications and actual performance may vary over time. All operating parameters, including "Typicals", must be validated for each customer application by customer's technical experts. Motorola does not convey any license under its patent rights nor the rights of others. Motorola products are not designed, intended, or authorized for use as components in systems intended for surgical implant into the body, or other applications intended to support or sustain life, or for any other application in which the failure of the Motorola product could create a situation where personal injury or death may occur. Should Buyer purchase or use Motorola products for any such unintended or unauthorized application, Buyer shall indemnify and hold Motorola and its officers, employees, subsidiaries, affiliates, and distributors harmless against all claims, costs, damages, and expenses, and reasonable attorney fees arising out of, directly or indirectly, any claim of personal injury or death associated with such unintended or unauthorized use, even if such claim alleges that Motorola was negligent regarding the design or manufacture of the part. Motorola and  are registered trademarks of Motorola, Inc. Motorola, Inc. is an Equal Opportunity/Affirmative Action Employer.

**How to reach us:**

**USA/EUROPE/Locations Not Listed:** Motorola Literature Distribution: P.O. Box 5405, Denver, Colorado 80217.  
1-303-675-2140 or 1-800-441-2447

**JAPAN:** Motorola Japan Ltd.; SPS, Technical Information Center, 3-20-1 Minami-Azabu. Minato-ku, Tokyo 106-8573  
Japan. 81-3-3440-3569

**ASIA/PACIFIC:** Motorola Semiconductors H.K. Ltd.; Silicon Harbour Centre, 2 Dai King Street, Tai Po Industrial Estate,  
Tao Po, N.T., Hong Kong. 852-26668334

**TECHNICAL INFORMATION CENTER: 1-800-521-6274**

**HOME PAGE:** <http://motorola.com/semiconductors/>

© Motorola, Inc., 2001

