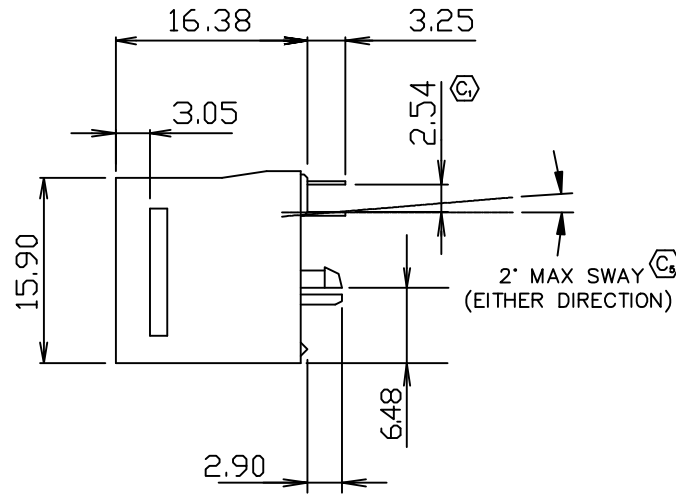
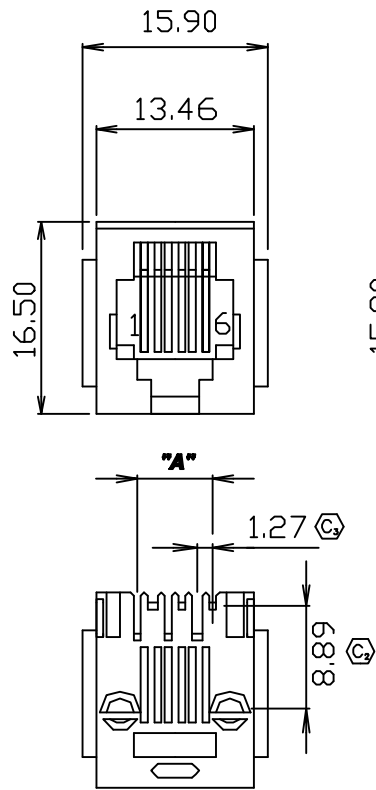


REVISION H



MODS-E-6PXC-X-X

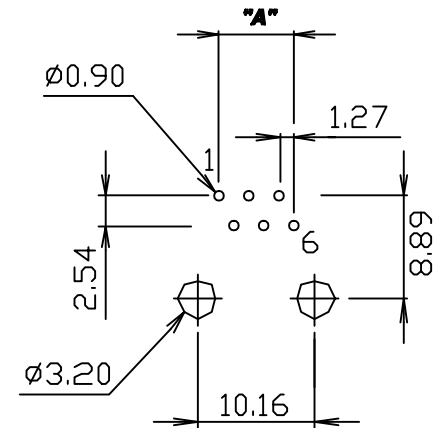
TYPE  
-E

POSITIONS/CONTACTS  
-6P4C: 6 Pos/4 Con  
-6P6C: 6 Pos/6 Con

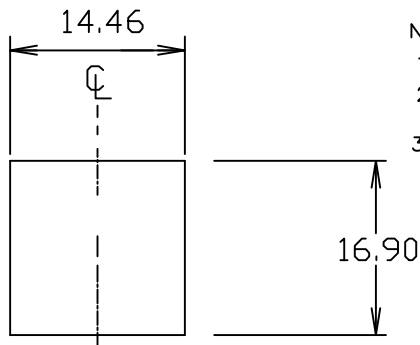
PLATING  
-G: .000010" Au  
-H: .000030" Au  
-E: .000050" Au  
(SEE NOTE 3)

E&I OPTION  
-R: RoHS COMPLIANT

POS / CONTACTS	"A"
-6P4C	3.81
-6P6C	6.35



PCB LAYOUT



SUGGESTED PANEL CUTOUT DIMENSIONS

- NOTES:
1. Ⓢ REPRESENTS CRITICAL DIMENSION.
  2. CRITICAL DIMENSIONS ON PCB LAYOUT APPLY TO THE ASSEMBLY
  3. PLATING APPLIES TO MATING AREA, GOLD FLASH ON TAILS.

UNLESS OTHERWISE SPECIFIED, DIMENSIONS ARE IN MM. TOLERANCES ARE:  
DECIMALS .XX: ±.25  
.XXX: ±.13  
.XXXX: ±.05

PROPRIETARY NOTE  
THIS DOCUMENT CONTAINS INFORMATION CONFIDENTIAL AND PROPRIETARY TO SAMTEC INC. AND SHALL NOT BE REPRODUCED OR TRANSFERRED TO OTHER DOCUMENTS OR DISCLOSED TO OTHERS OR USED FOR ANY PURPOSE OTHER THAN THAT FOR WHICH IT WAS OBTAINED WITHOUT THE EXPRESSED WRITTEN CONSENT OF SAMTEC INC.

DO NOT SCALE DRAWING  
INSULATOR: Nylon 46  
SPRING WIRE: .35mm Phos Bronze

SHEET SCALE: 1:2

MAX FLASH ALLOWED: .051  
MAX GATE VESTIGE: .051

F:\DWG\EXISPROD\ASSEMBLY\O\MODJACKS\MODS

**samtec**

520 PARK EAST BLVD. NEW ALBANY, IN 47150  
(812) 944-6733 P.O. BOX 1147 TWX: 810-540-4085

DESCRIPTION:  
RJ11 or RJ12 Top Entry PCB Jack

DWG. NO.  
MODS-E-6PXC-X-X

BY: J. Riley 05/11/04 SHEET 1 OF 1

CODE: 55322