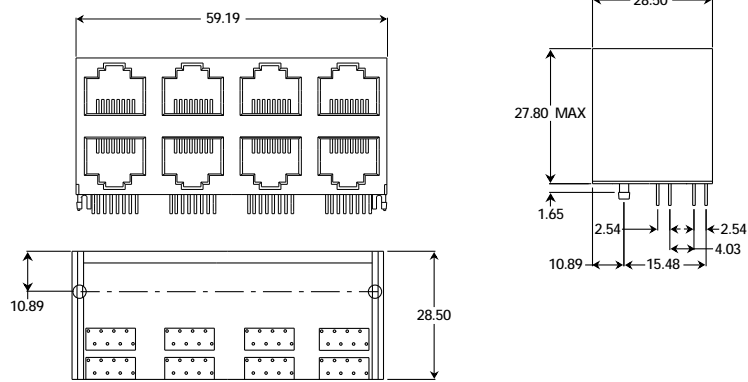
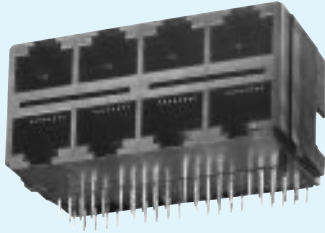
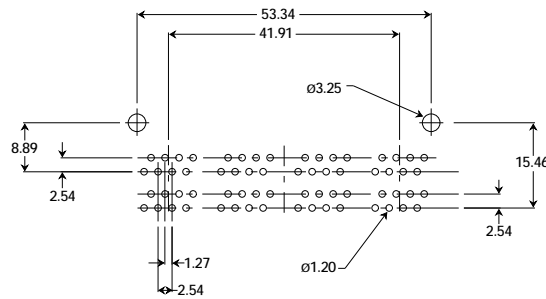


Stacked

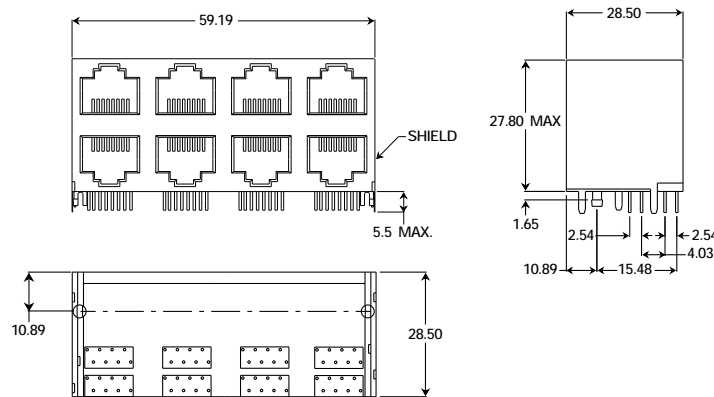
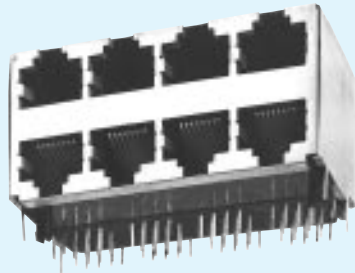
PHJ-8P8C-8-D-5



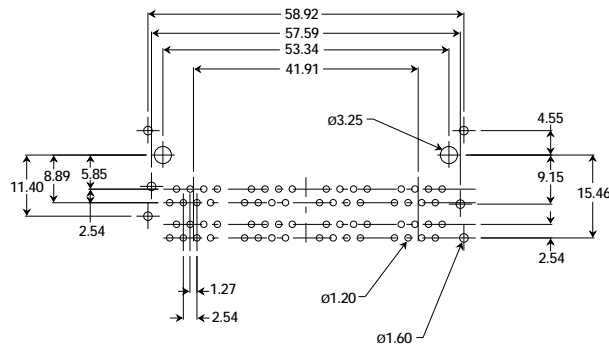
P.C.B. LAYOUT
TOP VIEW



PHJ-8P8C-8S-D-5
Fully Shielded



P.C.B. LAYOUT
TOP VIEW



Specifications subject to change without notice. Dimensions in mm.

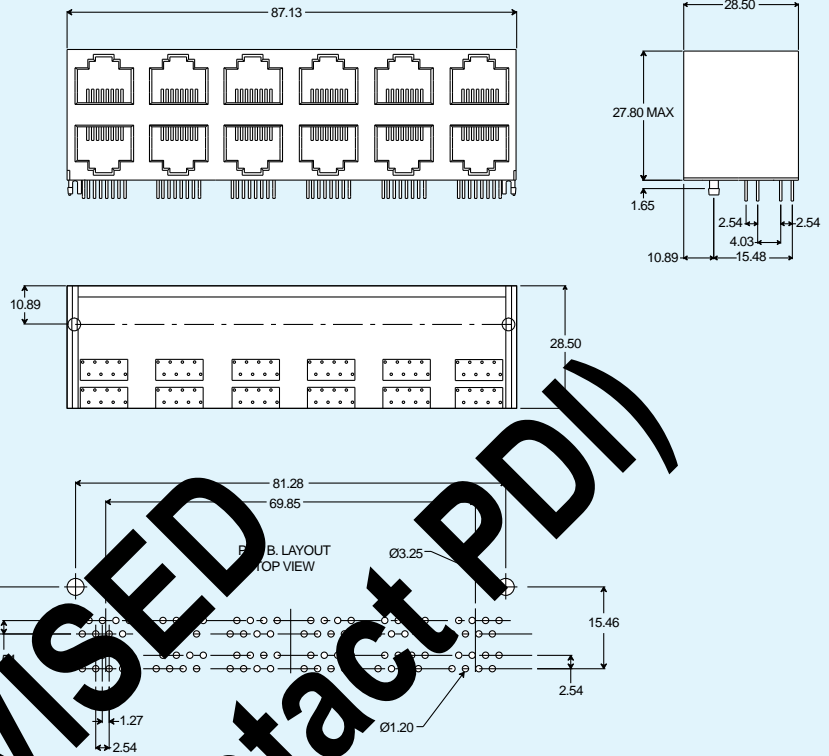
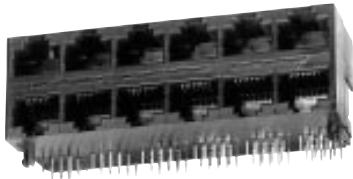
6

TELEPHONE JACKS & PLUGS

Stacked

PHJ-8P8C-12-D-5

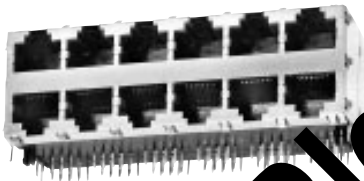
(shown)



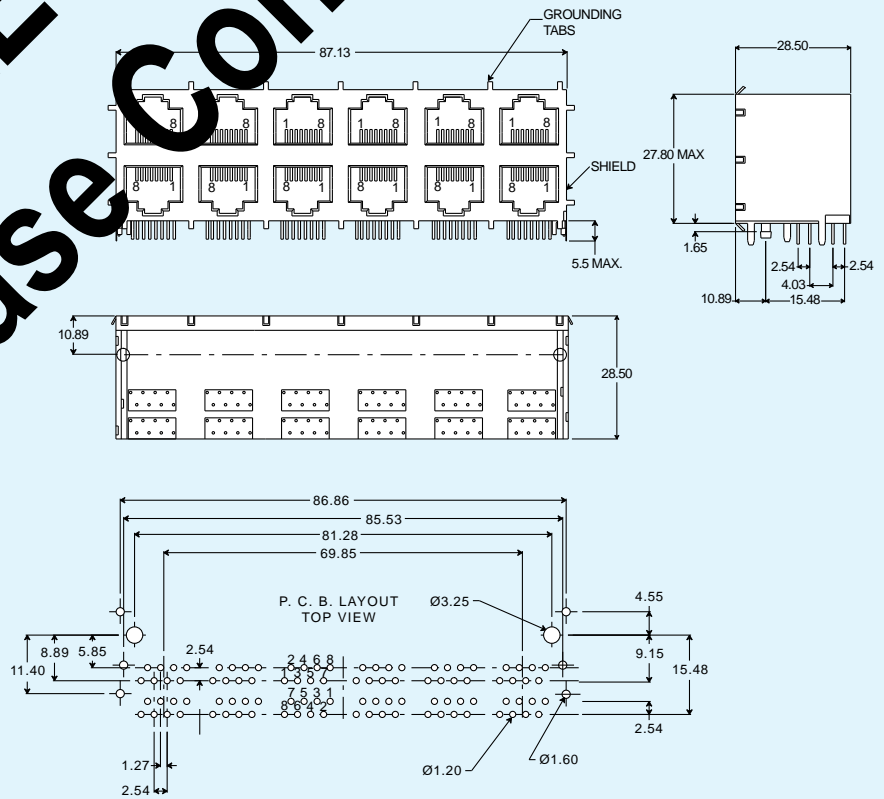
PHJ-8P8C-12A-D-5

(shown)

Fully Shielded
Panel Grounding Tabs



**REVISED
(Please Contact PDI)**



Specifications subject to change without notice. Dimensions in mm.

