



**Anti Sulfuration Chip Resistors
(RBS series Standard)**

Document No

TRBS-XXOS001A

Issued date

2008/1/16

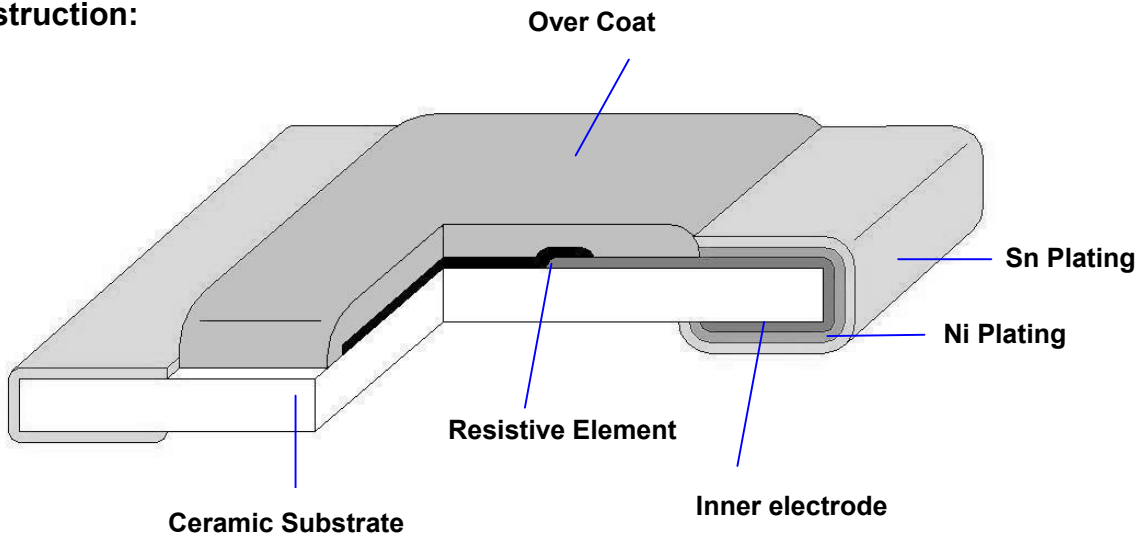
page

1/10

1. Scope :

This specification applies for the RBS series of chip resistors made by TA-I.

2. Construction:



3. Type Designation:

RBS

10

B

I

P

1001

Product Code

Size

Tolerance

Packaging

TCR

Nominal Resistance

RBS : Anti Sulfuration Power Rating

Resistance

Product Code	Size	Tolerance	Packaging	TCR	Nominal Resistance
04-0402(1005) 1/16W	B- ±0.10%	T- Paper	J- ±5 ppm	e.g., 1001=1kΩ	
06-0603(1608) 1/10W	C- ±0.25%	Tape	k- ±10 ppm		
10-0805(2012) 1/8W	D- ±0.50%	B- Bulk	M- ±15 ppm		
12-1206(3216) 1/4W	F- ±1.00%	Cassette	P- ±25 ppm		
			S- ±50 ppm		
			T- ±100 ppm		



**Anti Sulfuration Chip Resistors
(RBS series Standard)**

Document No

TRBS-XXOS001A

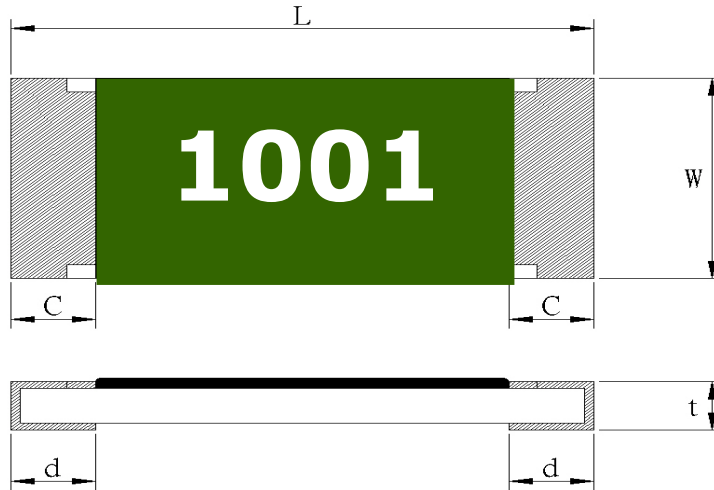
Issued date

2008/1/16

page

2/10

4. Dimensions:



UNIT: mm

Type	L	W	C	d	t
RBS04	1.00 ± 0.05	0.50 ± 0.05	0.20 ± 0.10	0.25 ± 0.10	0.35 ± 0.05
RBS06	1.60 ± 0.10	0.80 ± 0.10	0.30 ± 0.20	0.30 + 0.20 - 0.10	0.45 ± 0.10
RBS10	2.00 ± 0.10	1.25 ± 0.10	0.40 ± 0.20	0.40 ± 0.20	0.50 ± 0.10
RBS12	3.10 ± 0.10	1.55 ± 0.10	0.50 ± 0.30	0.40 ± 0.20	0.55 ± 0.10



**Anti Sulfuration Chip Resistors
(RBS series Standard)**

Document No

TRBS-XXOS001A

Issued date

2008/1/16

page

3/10

5. Ratings & Characteristics

Type	Power Rating at 70°C	Rated Voltage	Max. Working Voltage	Max. Over- Load Voltage	T.C.R (PPM/°C)	Resistance Range	Resistance tolerance(%)
RBS04	1/16 W	Refer 5.2	50V	100V	±10 ±25 ±50 ±100	100Ω~100KΩ	± 0.1 ~ ±1.0
RBS06	1/10W	Refer 5.2	75V	150V	±10 ±25 ±50 ±100	100Ω~390KΩ	± 0.1 ~ ±1.0
RBS10	1/8 W	Refer 5.2	150V	300V	±10 ±25 ±50 ±100	100Ω~800KΩ	± 0.1 ~ ±1.0
RBS12	1/4 W	Refer 5.2	150V	300V	±10 ±25 ±50 ±100	100Ω~1MΩ	± 0.1 ~ ±1.0

Operating Temp(°C): -55°C ~ +125°C

Note : Except for the above standardized products, we also provide the customized products.

5.1 Derating Curve :

For resistors operated at ambient temperature over 70°C , power rating shall be derated according to figure 1.

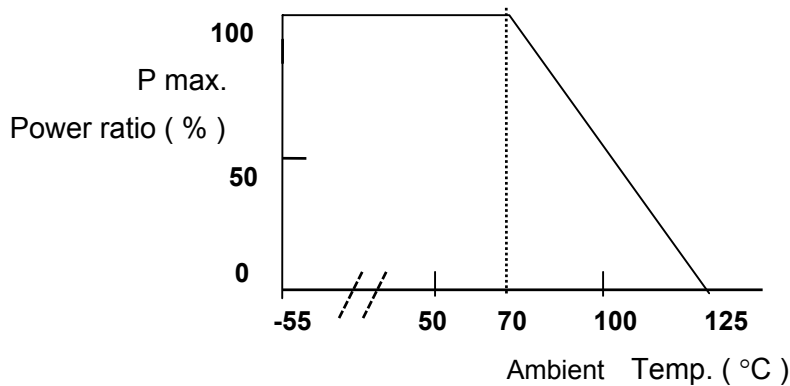


Figure 1



Anti Sulfuration Chip Resistors (RBS series Standard)

Document No

TRBS-XXOS001A

Issued date

2008/1/16

page

4/10

5.2 Rated Voltage:

The rated voltage is calculated by the following formula:

$$E = \sqrt{P * R}$$

E=Rated Voltage(V)

P=Rated Power(W)

R=Resistance Value(Ω)

6. Reliability Tests:(As specified in JIS C 5202)

Test Items	Reference standard	Condition of Test	Test Limits
Temperature Coefficient of Resistance	JIS-C5202-5.2	+25 ~ +125 °C	Refer 5.0
Rapid Change of Temp.	JIS-C5202-7.4	-55°C(30 min.) / +125°C(30 min.), 5 cycles	$\pm(0.5\%+0.05\Omega)$
Short Time Overload	JIS-C5202-5.5	2.5 X rated voltage for 5sec	$\pm(0.5\% + 0.05\Omega)$
Resistance to Dry Heat	JIS-C5202-7.2	125 \pm 5°C for 96 \pm 4Hrs	$\pm(0.5\% +0.05\Omega)$
Load Life	JIS-C5202-7.10	1000 hours at rated power , 70°C , 1.5hours“ON “, 0.5hour “OFF”	$\pm(0.5\% +0.05\Omega)$
Resistance to Solder Heat	JIS-C5202-6.10	270 \pm 5°C solder , 10 \pm 1 sec dwell .	$\pm(0.5\% +0.05\Omega)$
Bending	JIS-C5202—6.1	3mm deflection	$\pm(0.5\% +0.05\Omega)$
Dielectric Withstanding Voltage (Voltage Proof)	JIS-C5202-5.7	Applying voltage : 0201 : 50V , 0402 & 0603 : 300V The other 500V for a minute .	No abnormalities such as flashover, burning dielectric breakdown shall appear.
Load Life with Humidity	JIS-C5202-7.5	40 \pm 2°C , 90~95% RH for 1000 hours	$\pm(0.5\% +0.05\Omega)$
Sulfuration test		H2S concentration: (3 \pm 1) ppm Temperature: (40 \pm 2) °C Humidity: (91 – 93) % r.h. Rating: No power Duration: 1000 hours	$\pm(0.5\% +0.05\Omega)$
Insulation Resistance	JIS-C5202-5.6	Applying voltage 100V for 1 minute. Remark : 0201 50V	$\geq 1G\Omega$
Solderability	JIS-C5202-6.11	245 \pm 5°C solder, 2 \pm 0.5 sec dwell. Solder : Sn96.5 / Ag3.0 / Cu0.5	At least 95% of surface area of electrode shall be covered with new solder.

Note* :RCWV : Rated continuous working voltage .



Anti Sulfuration Chip Resistors (RBS series Standard)

Document No

TRBS-XXOS001A

Issued date

2008/1/16

page

5/10

7. Marking

7.1 $\pm 0.1\% \sim 1\%$

Resistance value is expressed by 4 digits, the first three digits represent the significant figures of nominal resistance value in Ω , and the fourth digit represents exponent for base of 10.

e.g., $1001 = 100 \times 10^1 = 1000\Omega = 1K\Omega$

7.2 $\pm 1\%$ (RBS06/E96)

When the marking space is too small in such small-sized resistors as RM06, the marking can not be made by 4 digits and may be made by two digits combined with one English capital.

Symbol for E96 series nominal resistance value

Symbol	E96	Symbol	E96	Symbol	E96	Symbol	E96
01	100	25	178	49	316	73	562
02	102	26	182	50	324	74	576
03	105	27	187	51	332	75	590
04	107	28	191	52	340	76	604
05	110	29	196	53	348	77	619
06	113	30	200	54	357	78	634
07	115	31	205	55	365	79	649
08	118	32	210	56	374	80	665
09	121	33	215	57	383	81	681
10	124	34	221	58	392	82	698
11	127	35	226	59	402	83	715
12	130	36	232	60	412	84	732
13	133	37	237	61	422	85	750
14	137	38	243	62	432	86	768
15	140	39	249	63	442	87	787
16	143	40	255	64	453	88	806
17	147	41	261	65	464	89	825
18	150	42	267	66	475	90	845
19	154	43	274	67	487	91	866
20	158	44	280	68	499	92	887
21	162	45	287	69	511	93	909
22	165	46	294	70	523	94	931
23	169	47	301	71	536	95	953
24	174	48	309	72	549	96	976

Symbol for multipliers

Symbol	A	B	C	D	E	F	G	H	X	Y	Z
multipliers	10^0	10^1	10^2	10^3	10^4	10^5	10^6	10^7	10^{-1}	10^{-2}	10^{-3}

Ex: 02c=102 $\times 10^2 = 10.2k\Omega$



Anti Sulfuration Chip Resistors (RBS series Standard)

Document No

TRBS-XXOS001A

Issued date

2008/1/16

page

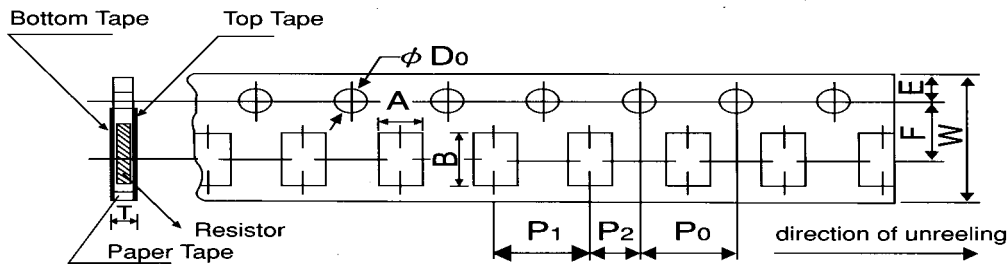
6/10

7.3 No Marking for RBS04

8. Taping & Reel

8.1 Taping Dimensions

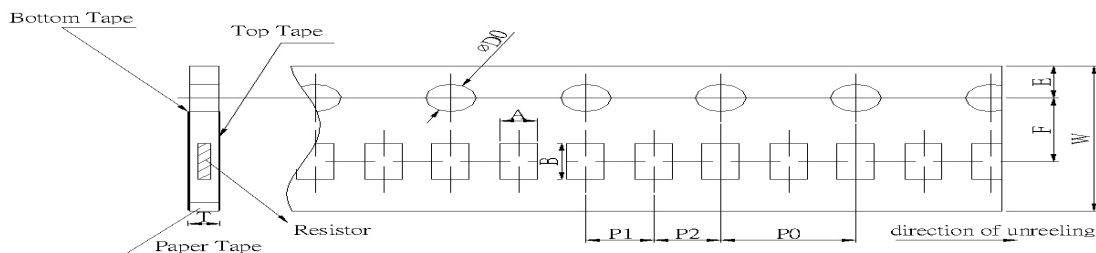
8.1.1 4 mm pitch paper



Packing	Type	A	B	W	F	E	P ₁	P ₂	P ₀	D ₀	T
Paper Tape	RBS06	1.1±0.1	1.9±0.1	8.0±0.2	3.5±0.05	1.75±0.1	4.0±0.1	2.0±0.1	4.0±0.1	φ 1.5 +0.1 -0	0.64±0.1
	RBS10	1.6±0.15	2.4±0.2								0.84±0.1
	RBS12	2.0±0.15	3.6±0.2								0.84±0.1

UNIT: mm

8.1.2 2 mm pitch paper



Packing	Type	A	B	W	F	E	P ₁	P ₂	P ₀	D ₀	T
Paper	RBS04	0.7±0.05	1.2±0.05	8.0±0.2	3.5±0.05	1.75±0.1	2.0±0.1	2.0±0.1	4.0±0.1	φ 1.5 +0.1 -0	0.45±0.1



**Anti Sulfuration Chip Resistors
(RBS series Standard)**

Document No

TRBS-XXOS001A

Issued date

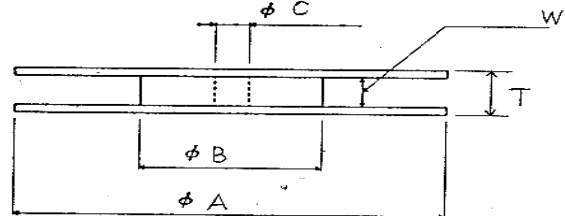
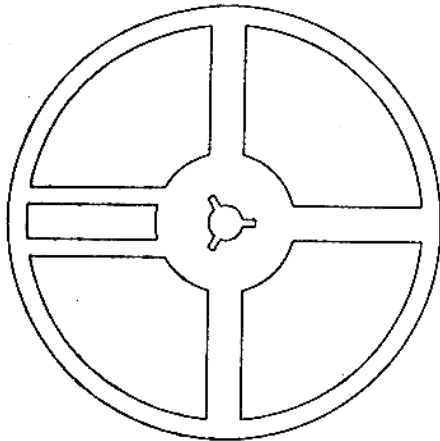
2008/1/16

page

7/10

Type	Size	Paper Tape	
		4 mm pitch	2 mm pitch
		180mm/R	180mm/R
RBS	04		10000
RBS	06	5000	
RBS	10	5000	
RBS	12	5000	

8.2 Reel Specifications



Type	ϕA	ϕB	ϕC	W	T
RBS04 / 06 RBS10 / 12	180^{+0}_{-3}	60 min	13.0 ± 1.0	9.0 ± 1.0	11.4 ± 2.0

UNIT: mm

8.3 Peel – off force :

Peel – off force of paper and blister tape is in accordance with “JIS ”
that is , 0.1 to 0.7 N at a peel-off speed of 300 mm / minute.



**Anti Sulfuration Chip Resistors
(RBS series Standard)**

Document No

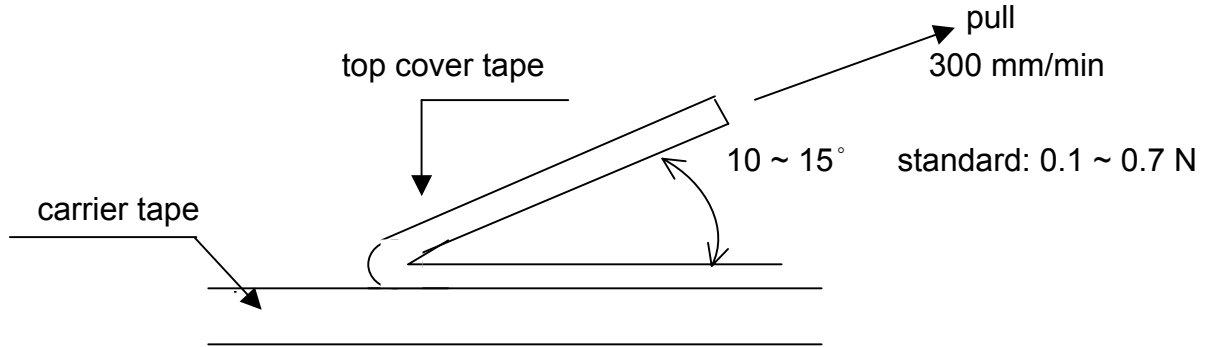
TRBS-XXOS001A

Issued date

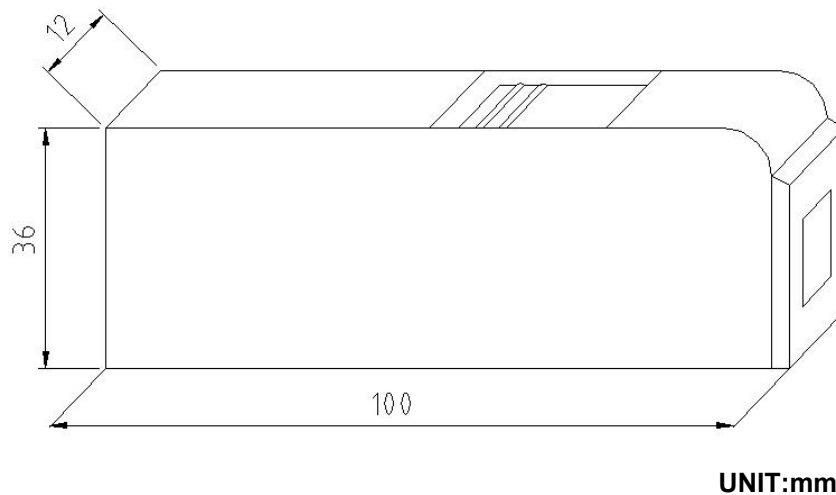
2008/1/16

page

8/10

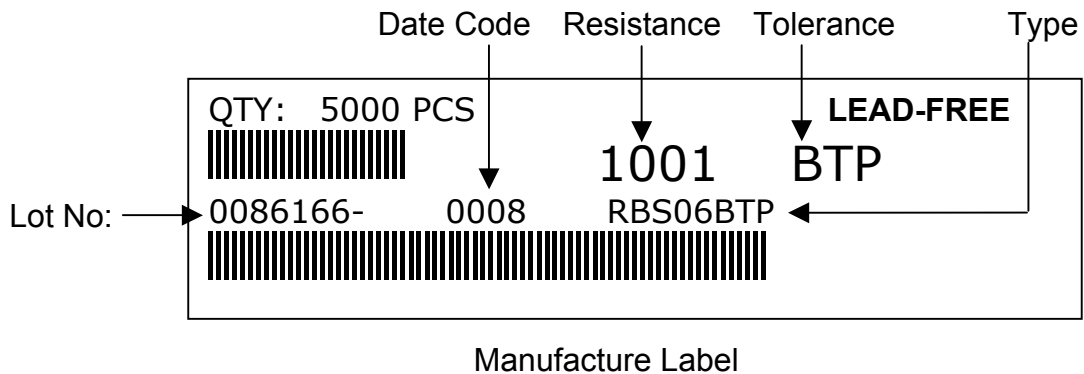


9. Bulk Case Specifications:



10. Label

10.1 Normal Products :





**Anti Sulfuration Chip Resistors
(RBS series Standard)**

Document No

TRBS-XXOS001A

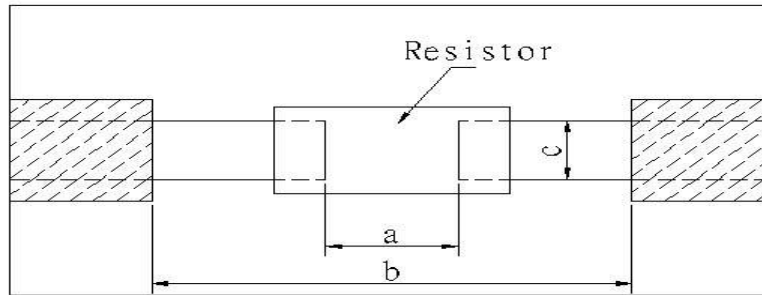
Issued date

2008/1/16

page

9/10

11. Recommended land patterns



Land pattern		Dimension (mm)		
Type	Size	a	b	c
RBS	04 (0402)	0.5 ~ 0.6	1.4 ~ 1.6	0.4 ~ 0.6
RBS	06 (0603)	0.7 ~ 0.9	2.0 ~ 2.2	0.8 ~ 1.0
RBS	10 (0805)	1.0 ~ 1.4	3.2 ~ 3.8	0.9 ~ 1.4
RBS	12 (1206)	2.0 ~ 2.4	4.4 ~ 5.0	1.2 ~ 1.8

12. ECN

Engineering Change Notice: The customer will be informed with ECN if there is significant modification on the characteristics and materials described in Approval Sheet.

13. Storage Conditions:

Temperature: 5°C~35°C, Humidity:40%~75%

14. Shelf Life:

2 years from manufacturing date.

15. Recommend IR – Reflow profile : (solder : Sn96.5 / Ag3 / Cu0.5)



**Anti Sulfuration Chip Resistors
(RBS series Standard)**

Document No

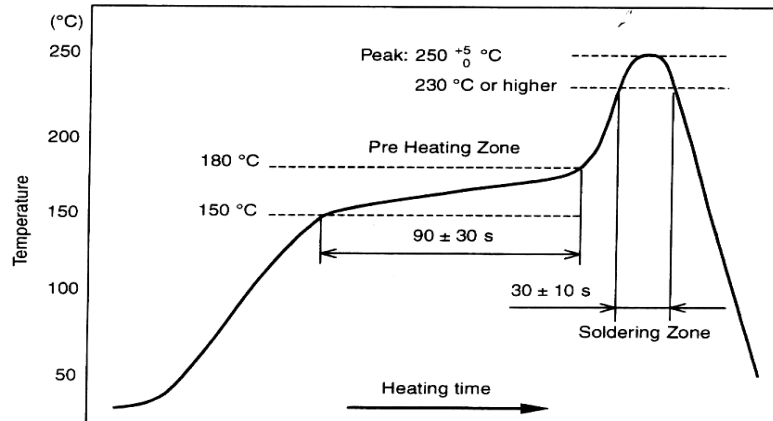
TRBS-XXOS001A

Issued date

2008/1/16

page

10/10



Peak : 250 $\begin{matrix} +5 \\ -0 \end{matrix}$ °C , 5 sec

Pre – heat Zone : 150 to 180 °C, 90±30 sec

Soldering Zone : 230°C or higher , 30±10 sec

16. Manufacturing Country & City:

TA-I TECHNOLOGY CO., LTD. (Taiwan – Tao Yuan)
Tel: (+886)-3-3246169 Fax : (+886)-3-3247410

Associated companies :

(1) FORTUNE TASK RESISTOR FACTORY (China – Dong Guan)
Tel : (+86)-769-83394790 Fax : (+86)-769-83394794

(2) TA-I TECHNOLOGY (SU ZHOU) CO., LTD. (China – Su Zhou)
Tel :(+86)- 512-63457879 Fax : (+86)-512-63457869

(3) TAI OHM ELECTRONICS (M) SDN. BHD. (Malaysia – Penang)
Tel :(+604)- 3900480 Fax : (+604)-3901481

(4) P.T.TAI ELECTRONICS Indonesia (Indonesia – Jakarta)
Tel :(+62)-21-44820254 Fax : (+62)-21-44820256