

Single Pole Power Connectors

RIG-Power Connectors (1000v AC/DC)

Ampacity (Using 535 MCM)	Ampacity (Using 777 MCM)	Wire Range	Connector Style	Insert Gender	Part Number*
900	1135	444 -777 kcmil	Plug w/ Mech. Clamp	Dead Front Pin (Line side)	RIG-10P▲-M-◆
			Plug w/ Mech. Clamp	Socket Contact (Load Side)	RIG-10S▲-M-◆
			Cable Receptacle w/ Mech. Clamp	Dead Front Pin (Line side)	RIG-15P▲-M-◆
			Cable Receptacle w/ Mech. Clamp	Socket Contact (Load Side)	RIG-15S▲-M-◆
			Fixed Cable Receptacle w/ Mech. Clamp	Dead Front Pin (Line side)	RIG-17P▲-M-◆
			Fixed Cable Receptacle w/ Mech. Clamp	Socket Contact (Load Side)	RIG-17S▲-M-◆
			Panel Mount Receptacle (Bus Bar)	Dead Front Pin (Line side)	RIG-17PR-▲
			Panel Mount Receptacle (Bus Bar)	Socket Contact (Load Side)	RIG-17SR-▲
			Panel Mount Receptacle (Direct Cable Entry)	Dead Front Pin (Line side)	RIG-17PN-▲
			Panel Mount Receptacle (Direct Cable Entry)	Socket Contact (Load Side)	RIG-17SN-▲

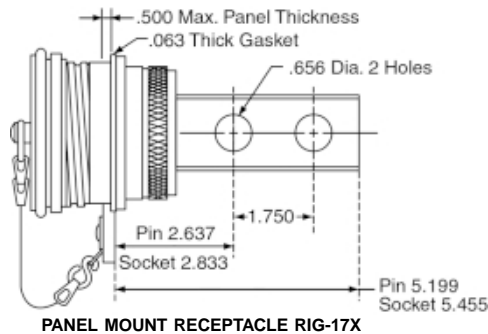
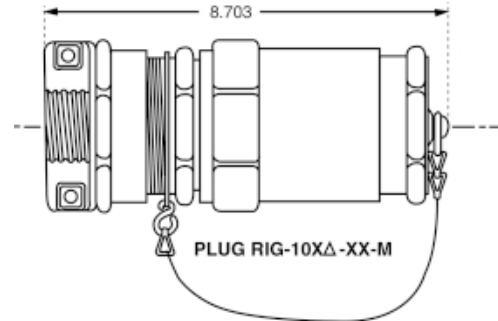
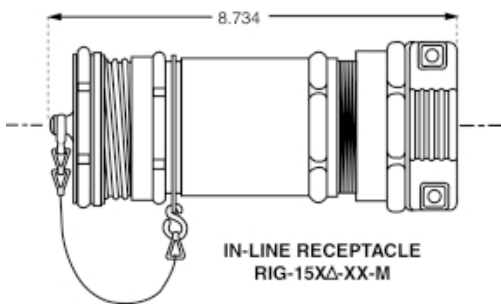


▲ Select Cable Size: (4=444 kcmil, 5=535 MCM, 6 = 646 MCM, 7=777 MCM)

◆ Select Grommet Number from Chart Below

* For Basketweave Grip substitute K for M

Use Crimp Tool: Anderson (Square D) Versa Crimp # VC8



NOTE:
See page 19, shell size C24 for full mounting dimensions.

RIG-POWER Grommet Selection Guide

Cable Diameter	1.000-1.125	1.125-1.250	1.250-1.375	1.375-1.500	1.500-1.625	1.625-1.750	1.750-1.875
Code No.(XX)	18	20	22	24	26	28	30

◆ Color Code Options

Current Type	DC				AC			
Standard Color Code	Blue	Orange	Yellow	Brown	Red	White	Black	Green
Part No. Suffix ◆	-BL	-OR	-Y	-BR	-R	-W	-BK	-G

P-500™ / PD-501 POWER Connectors

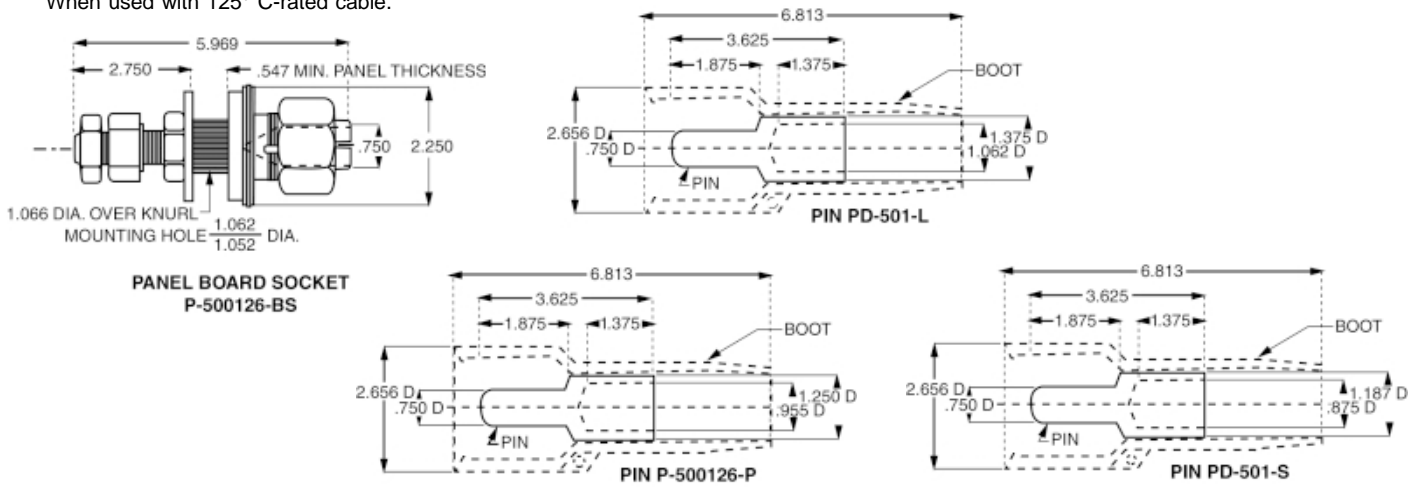
Ampacity	Wire Size	Type of Termination	Gender	Part Number	Boot Part # (See Color Code)	Cable Sealing Range
900*	—	Stud	Socket	P-500126-BS-◆	—	—
900*	535MCM	Solder	Pin	PD-501-L	TMPC-10-◆	1.125 - 1.500
900•	535MCM	Crimp	Pin	P-500126-P	TMPC-10-◆	1.125 - 1.500
325	313MCM	Solder	Pin	PD-501-S	TMPC-10-◆	1.125 - 1.500

Note: Connectors are rated at 1000 Volts AC/DC when mounted on 5" centers.

Copper alloy, silver plated contacts for maximum conductivity.

Crimp tool required for P-500126-P is Thomas & Betts hex crimp using Tool # 13642M & Die #11747.

* When used with 125° C-rated cable.



TMPC™ Connectors

Gender	Type of Termination	Current Range	Part Number	Wire Size	Boot Part No.	Cable Sealing Range
Socket	7/8" Stud/Panel board	900-1135 amps	TMPC-41777-L-◆	n/a	n/a	n/a
Socket	2 Hole Bus Bar	900-1135 amps	TMPC-41777-24L	n/a	n/a	n/a
Pin	Crimp	900 amps	TPMC-40535-L	444 - 535 kcmil	TMPC-10-◆	1.125 - 1.500
Pin	Crimp	900-1135 amps	TPMC-40777-L	646-777 kcmil	TMPC-10-◆	1.125 - 1.500

Note: TPMC Connectors are rated at 1000 Volts AC/DC when mounted on 5" centers.

Material is Copper alloy, silver plated for maximum conductivity and corrosion resistance.

Recommended crimping tools are as follows: Anderson Versa Crimp VC8 (four indent).

