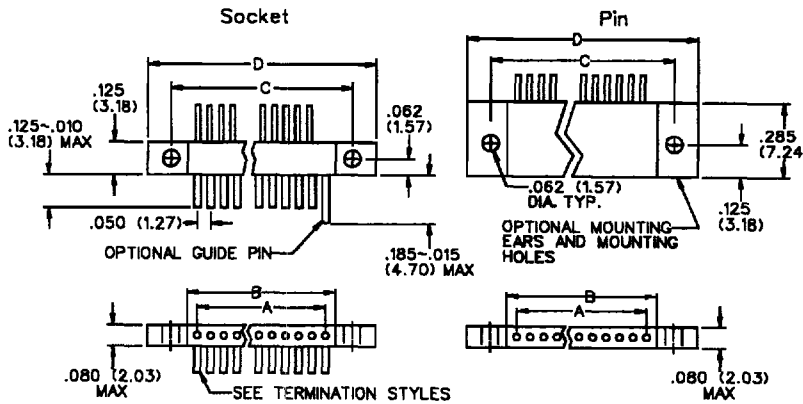




1.27mm (.050") Pitch Ultra-Mate™ S Series Strip Connector S Basic Strip

The plastic molded body of the 50 mil strip is made to accommodate up to 120 micro contacts, however, you select the number of contacts you need up to 120. There are many options to choose from: guide pins, jackscrews, mounting holes, 6 circuit termination styles and metal shells.



Dimensional Formula

- A = (No. of positions - 1) x 1.27mm (.050") first to last contact
- B = A + 1.90mm (.075") overall without ears
- C = A + 5.08mm (.200") center to center of mounting holes
- D = A + 9.52mm (.375") overall with ears

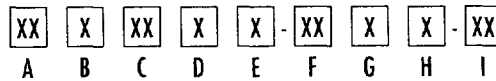
Ordering Notes

Each guide pin will replace a contact cavity thereby increasing the overall length. The overall length will also increase for one or two cross mounting holes or for jackscrews. Use 3 positions for each cross mounting hole or jackscrew.

Optional Circuit Terminations

Terminations are solid 24 AWG — solid or Tin dip.

ORDERING INFORMATION AND DIMENSIONS



A	
Series	
S	Strip
S1	2.54mm (.100") contact pitch

B	
Insulator Material	
R*	Ryton [†] per MIL-M-24519 GST 40F
L	LCP

C	
Size	
Total number of contacts. 120 positions max.	

D	
Contact Type	
P	Pin crimp
S	Socket crimp
M	Pin solder cup
T	Socket solder cup

E	
Hardware (combine as required)	
0	None
1	1 guide pin (socket side) and 1 hole (pin side)
2	2 guide pins (socket side) and 2 holes (pin side)
3	1 center jackscrew (socket side) and 1 threaded hole (pin side)
4	Mounting holes at each end
5	Jackscrews at each end

F	
Wire Size	
24, 26*, 28, 30 AWG	
OR	
Circuit Termination (replaces all of above)	
L01, L02, L03, L04, L05, L06	

G	
Wire Type	
B	PVC
C	Solid Copper per QQ-W-343
E	Type "E" Teflon [‡] per MIL-W-16878/4
F	Type "ET" Teflon [‡] per MIL-W-16878/6
G	Ribbon cable per MIL-C-49055
J	Type "E" 19 strand
K	Type "ET" 19 strand
M	Teflon per MIL-W-22759/11
S	Teflon-insulated solid Copper

H	
Wire Color/Finish	
1	White
2	Yellow
3	Tin plated — solid
4	Gold plated — solid
5	Color coded per MIL-STD-681C

I	
Wire Length (3 digits)	
18 C (inches)	
M46 (cm)	

* Indicates preferred standard

[†] Ryton is a registered trademark of Phillips Petroleum Company

[‡] Teflon is a registered trademark of E.I. DuPont de Nemours and Company

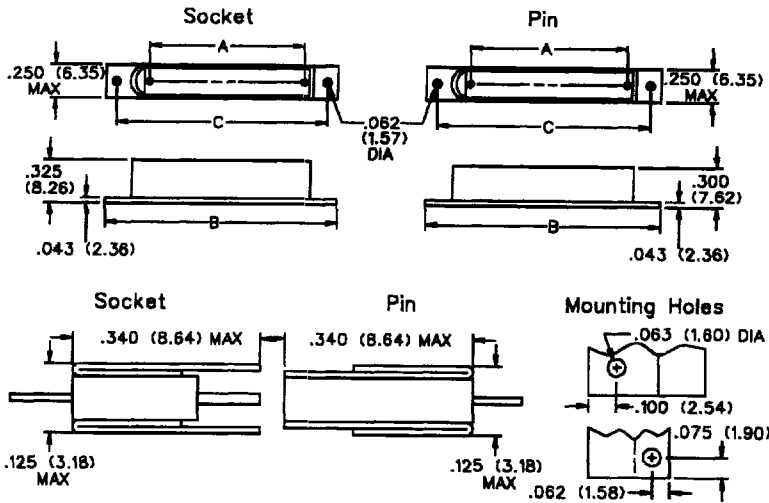




1.27mm (.050") Pitch Ulti-Mate™ S Series Strip Connector

SMR Metal Shells
SSR Metal Sides

The plastic molded body of the 50 mil strip is made to accommodate up to 120 micro contacts, however, you select the number of contacts you need up to 120. There are many options to choose from: guide pins, jackscrews, mounting holes, 6 circuit termination styles and metal shells.



SMR

Complete metal shells with mounting ears.

SSR

Metal side added for shielding and strength, insulators are basic strips.

Dimensional Formula

$A = (\text{No. of positions} - 1) \times 1.27\text{mm} (.050")$

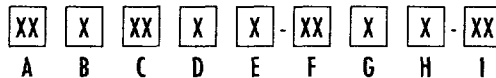
$B = A + 1.32\text{mm} (.052")$ overall

$C = A + 9.27\text{mm} (.365")$ center to center of mounting holes

Optional Circuit Terminations

Terminations are solid 24 AWG — solder or Tin dip.

ORDERING INFORMATION AND DIMENSIONS



Micro/Macro Interconnections

A	
Series	
SS	Metal sides
SM	Complete metal shell
B	
Insulator Material	
R*	Ryton [†] per MIL-M-24519 GST 40F
L	LCP
C	
Size	
Total number of contacts. 120 positions max.	
D	
Contact Type	
P	Pin crimp
S	Socket crimp
N	Pin solder cup
T	Socket solder cup

E	
Hardware (combine as required)	
0	None
1	1 guide pin (socket side) and 1 hole (pin side)
2	2 guide pins (socket side) and 2 holes (pin side)
3	1 center jackscrew (socket side) and 1 threaded hole (pin side)
4	Mounting holes at each end
5	Jackscrews at each end

F	
Wire Size	
24, 26*, 28, 30 AWG	
OR	
Circuit Termination (replaces all of above)	
L01, L02, L03, L04, L05, L06	

G	
Wire Type	
B	PVC
C	Solid Copper per QQ-W-343
E	Type "E" Teflon [‡] per MIL-W-16878/4
F	Type "ET" Teflon per MIL-W-16878/6
G	Ribbon cable per MIL-C-49055
J	Type "E" 19 strand
K	Type "ET" 19 strand
M	Teflon per MIL-W-22759/11
S	Teflon-insulated solid Copper

H	
Wire Color/Finish	
1	White
2	Yellow
3	Tin plated — solid
4	Gold plated — solid
5	Color coded per MIL-STD-681C

I	
Wire Length (3 digits)	
18.0 (inches)	
M46 (cm)	

* Indicates preferred standard

[†] Ryton is a registered trademark of Phillips Petroleum Company

[‡] Teflon is a registered trademark of E.I. DuPont de Nemours and Company