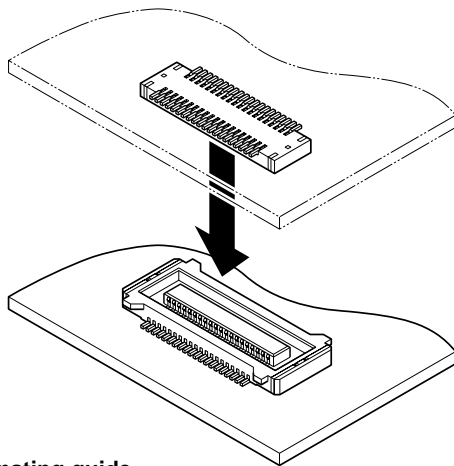


JAV CONNECTOR

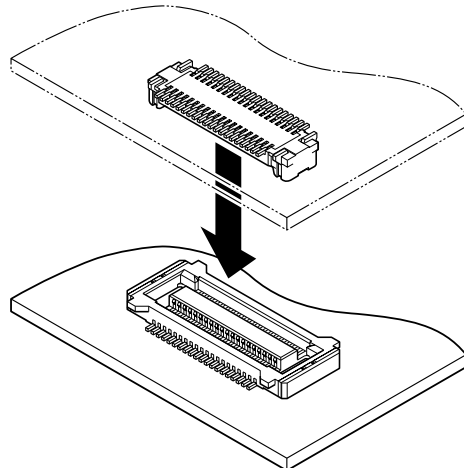
Board-to-board connectors



0.4mm (.016") pitch, SMT, low profile connector with parallel connection.



With mating guide



Features

- **Fine pitch and extremely low profile**

Pitch distance is 0.4mm (.016") and stacking height is only 1.5mm (.059").

- **Contact lock construction**

Contact lock construction with spring feature provides the most favorable locking force and click feeling after repetition of mating and unmating without damage.

- **Flat surface**

Flat surface allows well balanced mounting by vacuum pick and place robotics.

- **Concentration contact structure with wiping action**

Contact part is a combination of roll surface at plug and fracture surface at receptacle with concentration contact, and stable electrical performance and excellent wiping effect are provided.

- **Mating connector inside box shaped plug and receptacle**

Mating plug and receptacle inside box can prevent flux from adhering by adopting a box shaped structure.

- **Solder going-up prevention**

The gold-plated contacts which prevent solder from going-up on contact under high-activity reflow condition are also available.

JAV connector with mating guide

- **Mating guide structure**

Plug has the protrusions which guide receptacle within $\pm 0.5\text{mm}$ (.020") when inserting it.

Specifications

- Current rating: 0.3A AC,DC
- Voltage rating: 30V AC,DC
- Temperature range: -25°C to $+85^{\circ}\text{C}$
(including temperature rise in applying electrical current)
- Contact resistance: Initial value/70m Ω max.
After environmental testing/140m Ω max.
- Insulation resistance: 50M Ω min.
- Withstanding voltage: 100V AC/minute
- * Contact JST if Lead-Free product is required.
- * Refer to "General Instruction and Notice when using Terminals and Connectors" at the end of this catalog.
- * Contact JST for details.

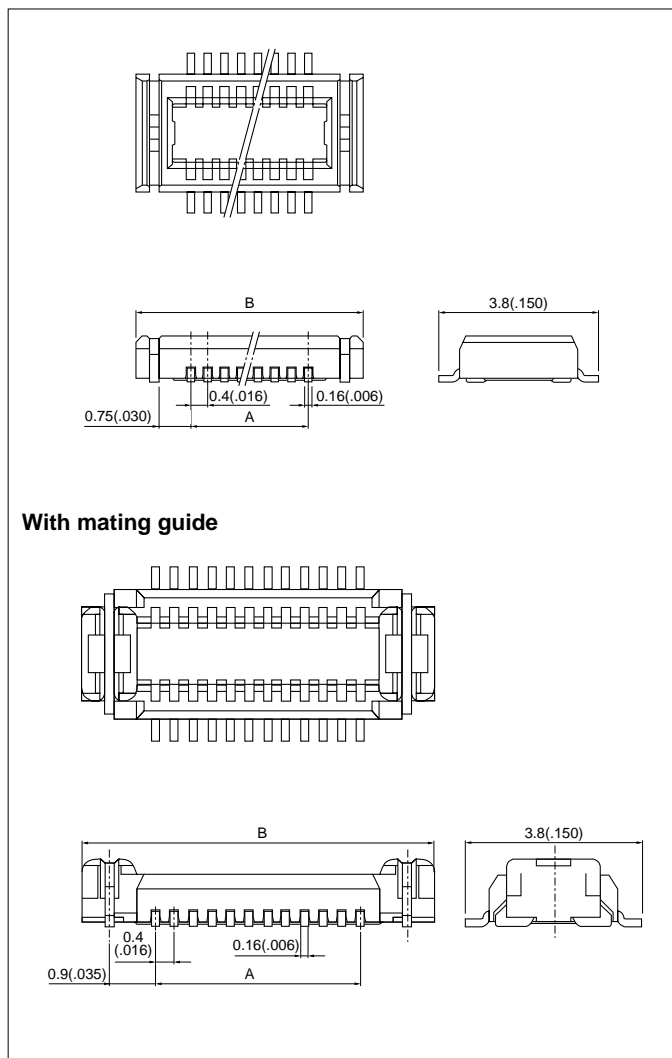
Standards

Ⓜ Recognized E60389

Ⓢ Certified LR20812

JAV CONNECTOR

Plug



Circuits	Model No.	Dimensions mm(in.)		Qty / reel
		A	B	
20	20PA-JAVK-G-TF	3.6(.142)	6.2(.244)	3,500
22	22PA-JAVK-G-TF	4.0(.157)	6.6(.260)	3,500
26	26PA-JAVK-G-TF	4.8(.189)	7.4(.291)	3,500
30	30PA-JAVK-G-TF	5.6(.220)	8.2(.323)	3,500
40	40PA-JAVK-G-TF	7.6(.299)	10.2(.402)	3,500
70	70PA-JAVK-G-TF	13.6(.535)	16.2(.638)	3,500

Material and Finish

Contact: Phosphor bronze, nickel-undercoated, gold-plated
Housing: LCP, UL94V-0
Solder tab: Brass, copper-undercoated, tin-plated

- Note:* 1. The products listed above are supplied on embossed-tape.
2. 20PA-JAVK-G-TF and 70PA-JAVK-G-TF are not CSA approved.
3. Nickel-stripe product: "GAN" instead of "G".

With mating guide

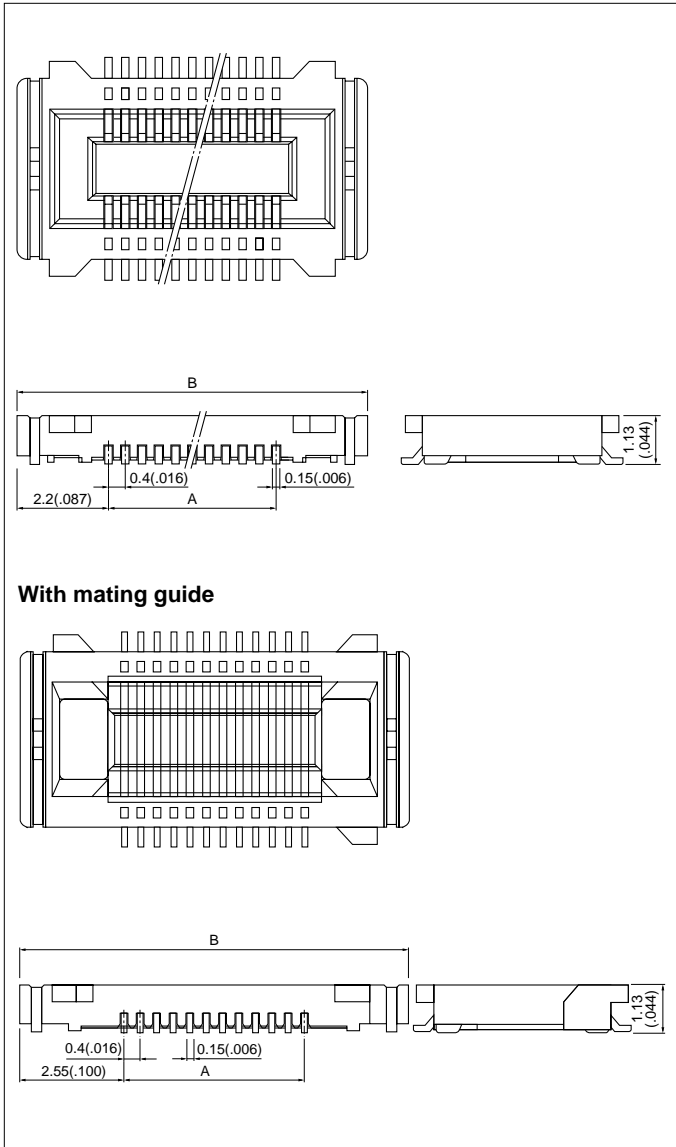
Circuits	Model No.	Dimensions mm(in.)		Qty / reel
		A	B	
24	24PA-JAVK-GS-1-TF	4.4(.173)	7.6(.299)	3,000

Material and Finish

Contact: Phosphor bronze, nickel-undercoated, gold-plated
Housing: LCP, UL94V-0
Solder tab: Brass, copper-undercoated, tin-plated

- Note:* 1. The product listed above is supplied on embossed-tape.
2. Nickel-stripe product: "GSAN" instead of "GS".

Receptacle



Circuits	Model No.	Dimensions mm(in.)		Qty / reel
		A	B	
20	20R-JAVK-G-TF	3.6(.142)	8.0(.315)	3,500
22	22R-JAVK-G-TF	4.0(.157)	8.4(.331)	3,500
26	26R-JAVK-G-TF	4.8(.189)	9.2(.362)	3,500
30	30R-JAVK-G-TF	5.6(.220)	10.0(.394)	3,500
40	40R-JAVK-G-TF	7.6(.299)	12.0(.472)	3,500
70	70R-JAVK-G-TF	13.6(.535)	18.0(.709)	3,500

Material and Finish

Contact: Phosphor bronze, nickel-undercoated, gold-plated
Housing: LCP, UL94V-0
Solder tab: Brass, copper-undercoated, tin-plated

- Note:* 1. The products listed above are supplied on embossed-tape.
2. 20R-JAVK-G-TF and 70R-JAVK-G-TF are not CSA approved.
3. Nickel-stripe product: "GAN" instead of "G".

With mating guide

Circuits	Model No.	Dimensions mm(in.)		Qty / reel
		A	B	
24	24R-JAVK-GS-1-TF	4.4(.173)	9.5(.374)	3,500

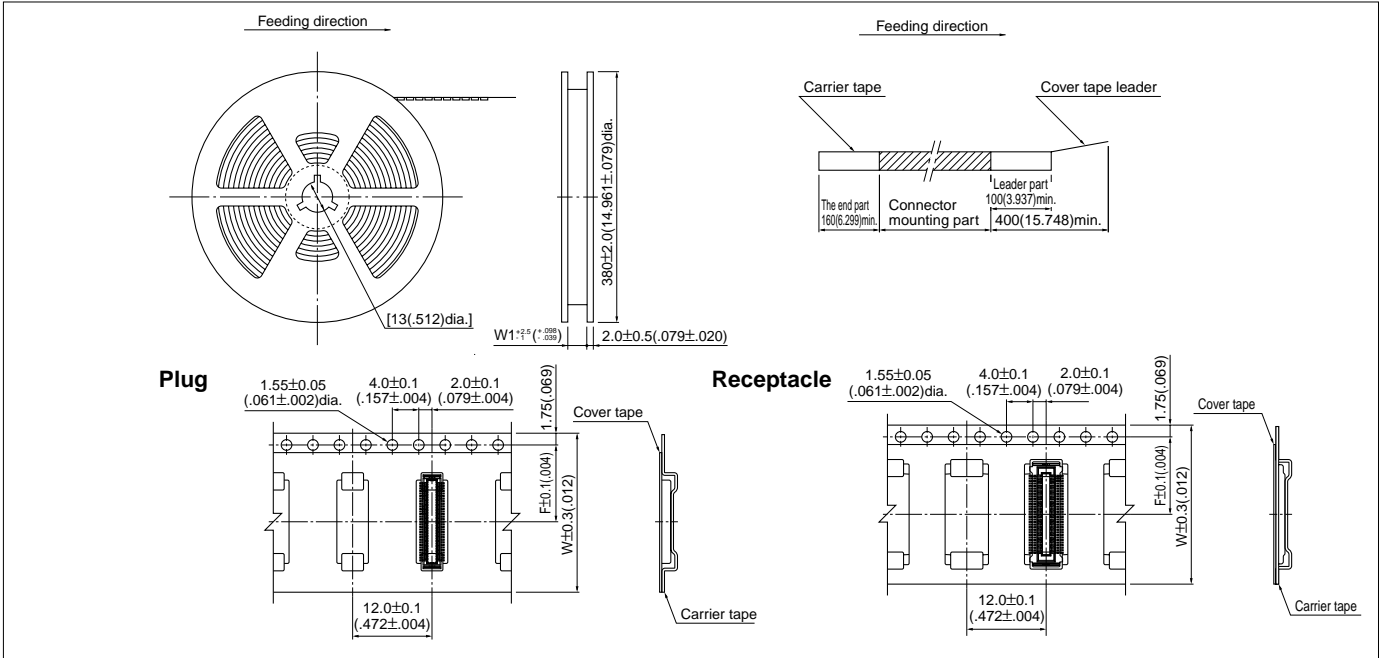
Material and Finish

Contact: Phosphor bronze, nickel-undercoated, gold-plated
Housing: LCP, UL94V-0
Solder tab: Brass, copper-undercoated, tin-plated

- Note:* 1. The product listed above is supplied on embossed-tape.
2. Nickel-stripe product: "GSAN" instead of "GS".

JAV CONNECTOR

Taping specifications



Note: 1. Specifications conform to JIS C0806. The tape width, connector loading recess square hole dimensions, etc. are determined by the number of circuits and external shape of the connector to be loaded.
 2. Specifications are subject to change without prior notice.

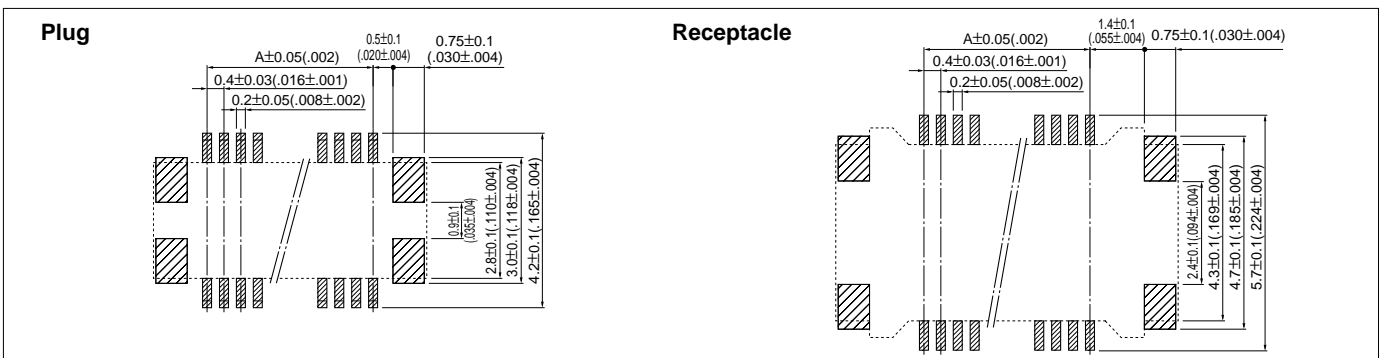
Plug

Circuits	Dimensions mm(in.)			Qty / reel
	F	W	W1	
20 to 30	7.5(.295)	16.0(.630)	17.5(.689)	3,500
40, 70	11.5(.453)	24.0(.945)	25.5(1.004)	3,500

Receptacle

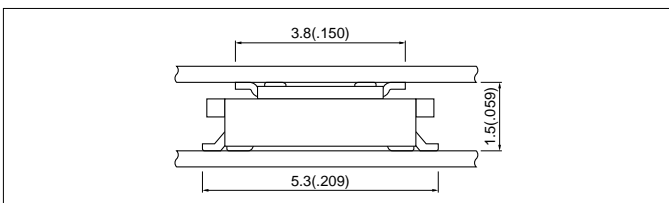
Circuits	Dimensions mm(in.)			Qty / reel
	F	W	W1	
20 to 30	7.5(.295)	16.0(.630)	17.5(.689)	3,500
40	11.5(.453)	24.0(.945)	25.5(1.004)	3,500
70	14.2(.559)	32.0(1.260)	33.5(1.319)	3,500

PC board layout (viewed from component side)

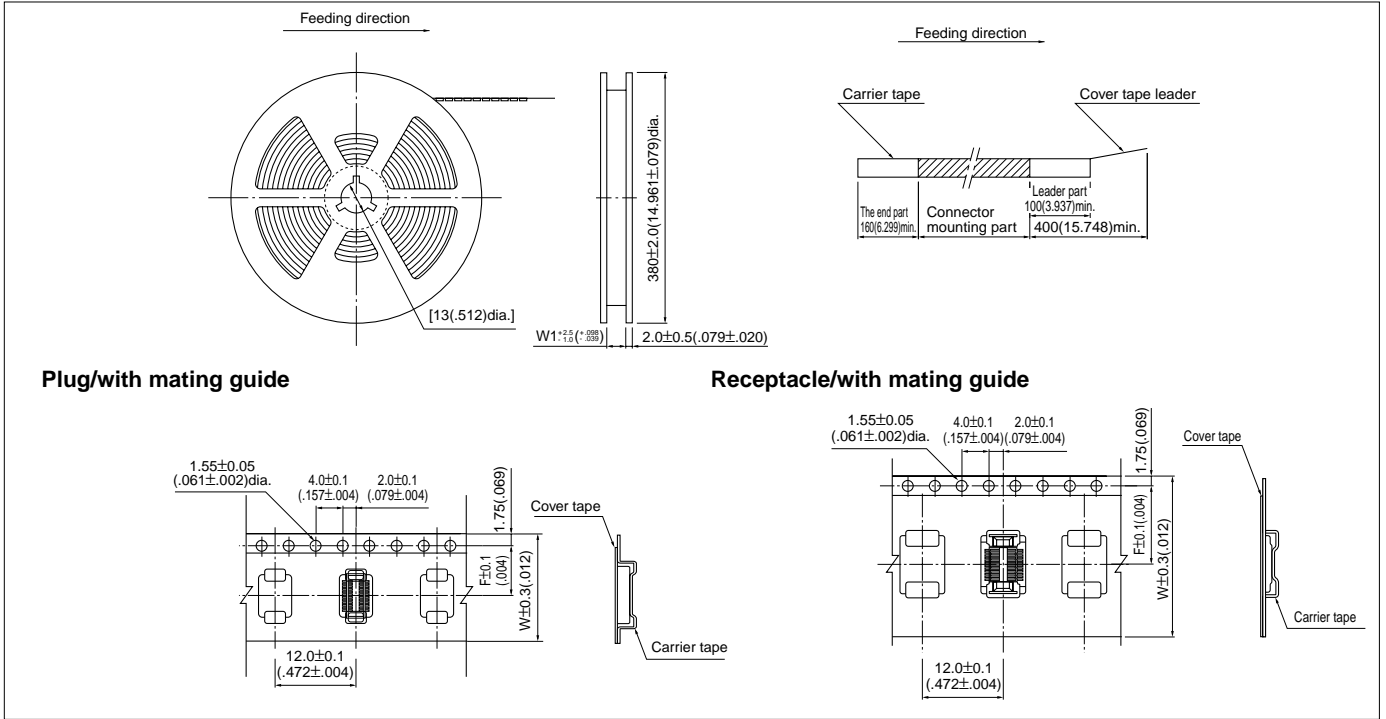


Note:
 1. Tolerances are non-cumulative: $\pm 0.03\text{mm}$ ($\pm 0.001''$) for all centers.
 2. The dimensions above should serve as a guideline. Contact JST for details.

Assembly layout



Taping specifications



Plug/with mating guide

Receptacle/with mating guide

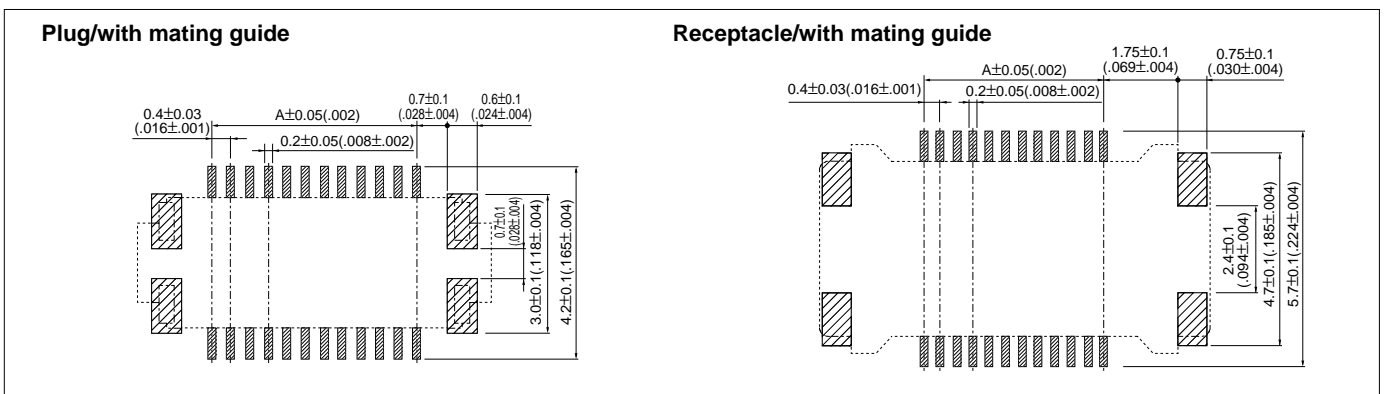
Plug/with mating guide

Circuits	Dimensions mm(in.)			Q'ty / reel
	F	W	W1	
24	7.5(.295)	16.0(.630)	17.5(.689)	3,000

Receptacle/with mating guide

Circuits	Dimensions mm(in.)			Q'ty / reel
	F	W	W1	
24	11.5(.453)	24.0(.945)	25.5(1.004)	3,500

PC board layout (viewed from component side)



Note:

1. Tolerances are non-cumulative: $\pm 0.03\text{mm}$ ($\pm 0.001''$) for all centers.
2. The dimensions above should serve as a guideline. Contact JST for details.

Assembly layout

