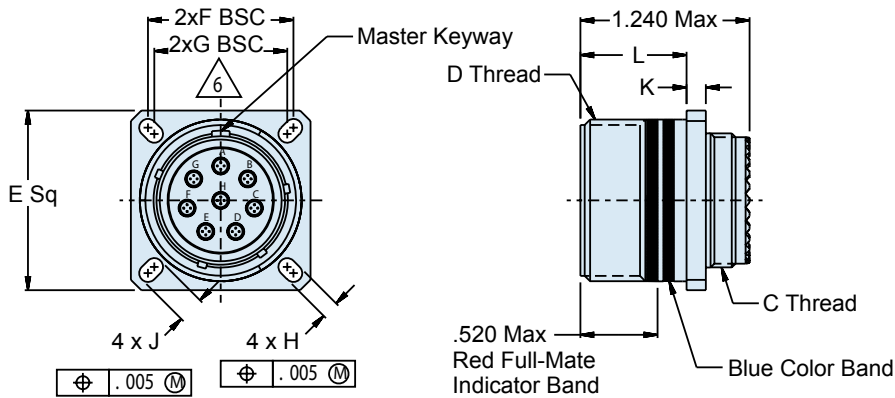
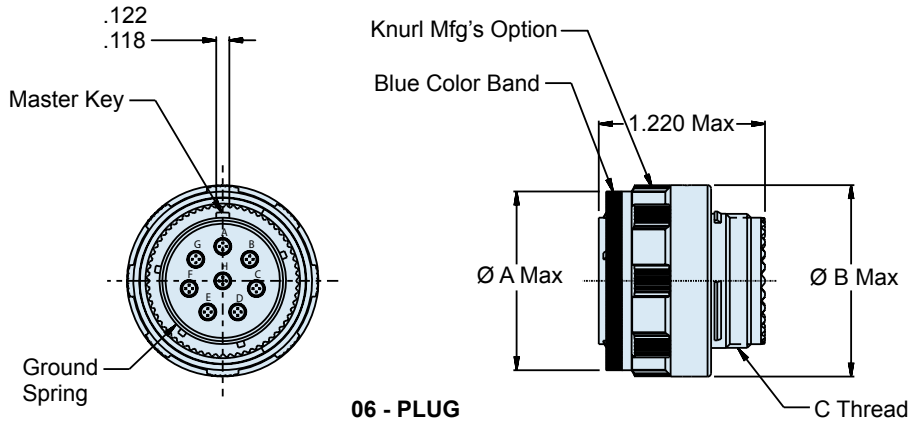
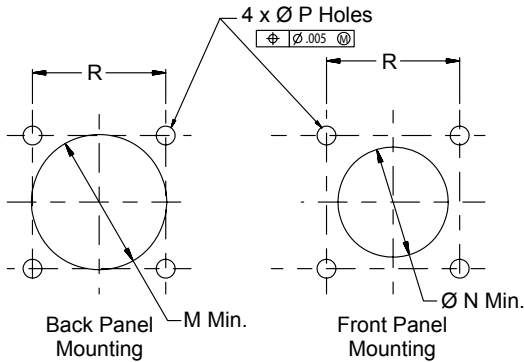


* Contacts Sold Separately. See Page D-24



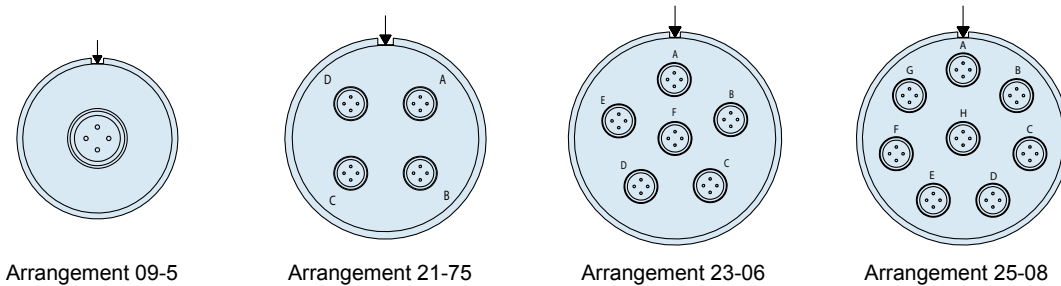
257-459
Plug and Wall Mount Quadrax Connector
MIL-DTL-38999 Series III Type



Shell Size Code	Shell Size	Ø A Max.	Ø B Max.	C Thread
A	09	.732	.858	M12 x 1.0-g 0.100R
G	21	1.508	1.642	M31 x 1.0-g 0.100R
H	23	1.626	1.768	M34 x 1.0-g 0.100R
J	25	1.752	1.890	M37 x 1.0-g 0.100R

Shell Size Code	Shell Size	D Thread	E Sq.	F BSC	G BSC	H	J	K	L
A	09	.6250-.1P-.3L-TS-2A	.949 .925	.719	.626	.136 .120	.224 .208	.144 .083	.823 .768
G	21	1.3750-.1P-.3L-TS-2A	1.575 1.551	1.250	1.156		.202 .186	.171 .083	.791 .736
H	23	1.5000-.1P-.3L-TS-2A	1.701 1.667	1.375	1.250	.162 .146	.250 .234		
J	25	1.6250-.1P-.3L-TS-2A	1.823 1.799	1.500	1.375				

Shell Size Code	Shell Size	Ø M Min.	Ø N Min.	P Holes	R BSC
A	09	.656	.516	.133 .123	.719
G	21	1.422	1.266		1.250
H	23	1.547	1.375	.159 .149	1.375
J	25	1.672	1.484	.155 .145	1.500



Arrangement 09-5

Arrangement 21-75

Arrangement 23-06

Arrangement 25-08

