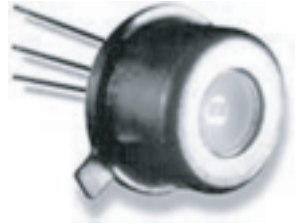


Large Area InGaAs p-i-n Photodiode

Sheet 1 of 3

35PD500-T0

The 35PD500-T0, an InGaAs photodiode with a 500um-diameter photosensitive packaged in a TO-46 header, is a versatile device with applications in high sensitivity instrumentation, laser back-facet monitoring, and low-bit-rate telecomm and datacomm transmission. Planar semiconductor design and dielectric passivation provide superior noise performance. Reliability is assured by 100% purge burn-in (200°C, 15 hours, Vr = 20V). Chips can also be attached and wire bonded to customer-supplied or other specified packages.



Features:

- Planar Structure
- Dielectric Passivation
- 100% Purge Burn-in
- High Responsivity

DEVICE CHARACTERISTICS

Parameters	Test Conditions	Minimum	Typical	Maximum	Units
Operating Voltage				-10	Volts
Dark Current	-5V			25	nA
Capacitance	-5V		20		pF
Responsivity	1300nm	0.8	0.9		A/W
Responsivity	1500nm		1		A/W
Rise/Fall				3	ns

ABSOLUTE MAXIMUM RATINGS

Reverse Voltage	15 Volts
Forward Current	50mA
Reverse Current	5mA
Operating Temperature	-40°C to +85°C
Storage Temperature	-40°C to +85°C
Soldering Temperature	250°C

Sheet 1 of 3

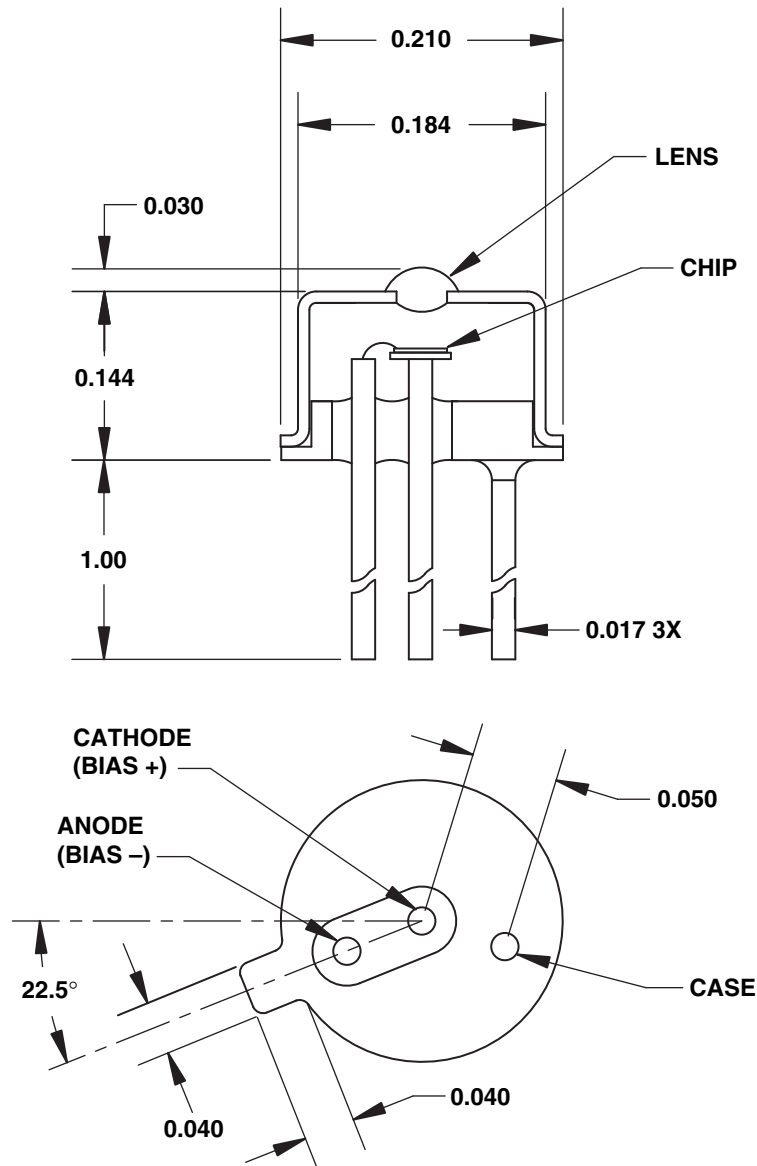
829 Flynn Road, Camarillo, CA 93012 • Phone: (805) 445-4500 • Fax: (805) 445-4502
Email: customerservice@telcomdevices.com • Website: www.telcomdevices.com



Mechanical Specifications TO-46 Header Packages

Sheet 2 of 3

Standard TO-46 Lens



Custom packaging is also available.

Sheet 2 of 3

829 Flynn Road, Camarillo, CA 93012 • Phone: (805) 445-4500 • Fax: (805) 445-4502
Email: customerservice@telcomdevices.com • Website: www.telcomdevices.com

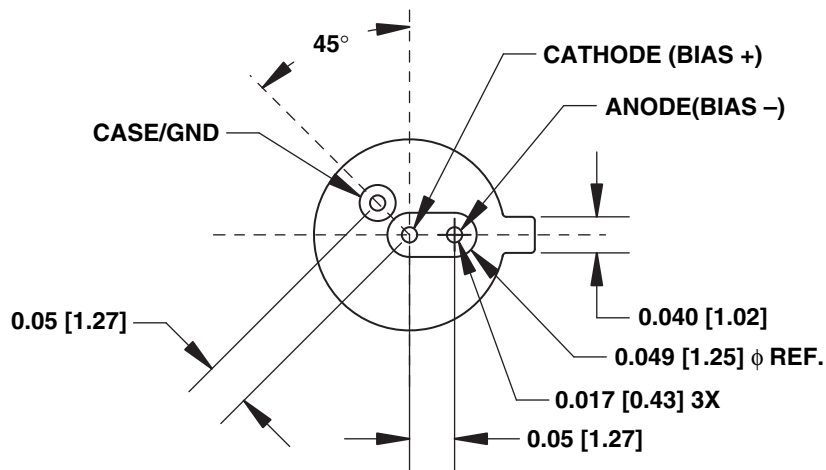
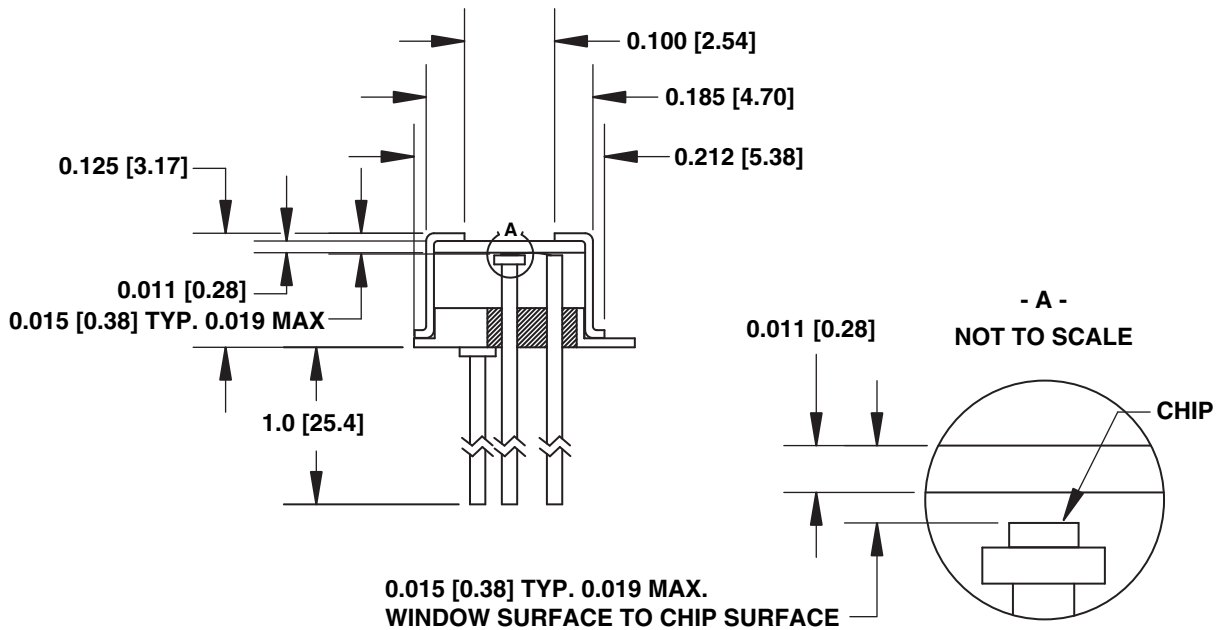


Mechanical Specifications

TO-46 Header Packages

Sheet 3 of 3

TO-46 Ultra Flat Window



Custom packaging is also available.

Sheet 3 of 3

829 Flynn Road, Camarillo, CA 93012 • Phone: (805) 445-4500 • Fax: (805) 445-4502
Email: customerservice@telcomdevices.com • Website: www.telcomdevices.com

