

EPE6119G & EPE6119G-RC



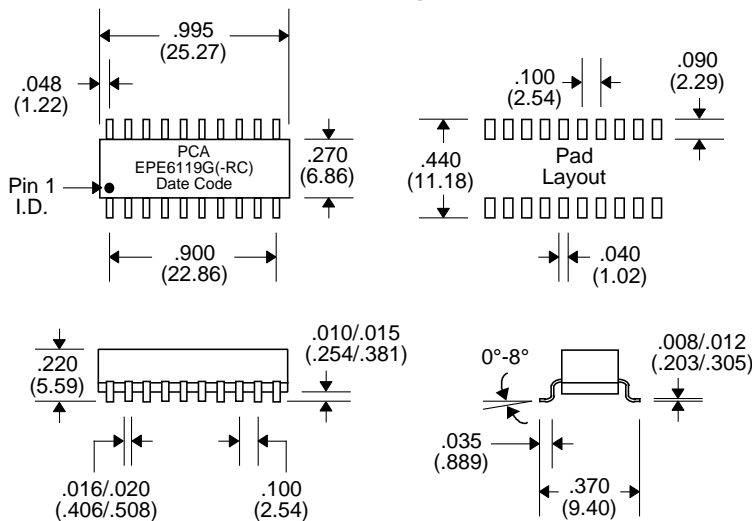
- General Purpose 10Base-T Filter Module
- Robust construction allows for toughest reflow processing
- Complies with or exceeds IEEE 802.3, 10Base-T Standards
- Peak Solder Rating (See Note 2)
- RoHS Compliant

Electrical Parameters @ 25° C

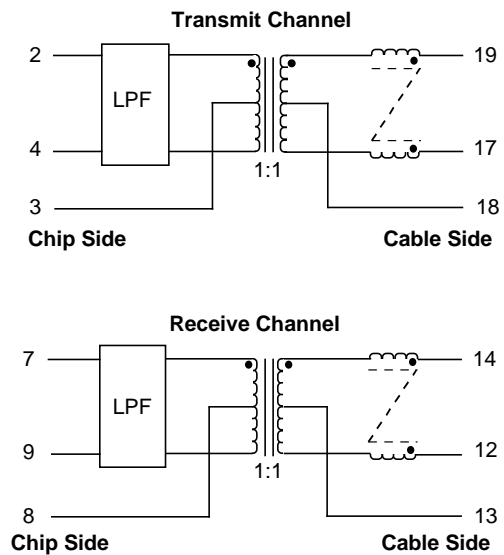
Cut-Off Frequency (MHz)	Insertion Loss (dB Max.)	Return Loss (dB Min.)	Attenuation (dB Min.)				Common Mode Rejection (dB Min.)	Crosstalk (dB Min.)
			@ 20 MHz	@ 25 MHz	@ 30 MHz	50-100 MHz		
± 1.0 MHz	1-10 MHz	5-10 MHz					1-100 MHz	1-10 MHz
Xmit/Rcv	Xmit/Rcv	Xmit/Rcv	Xmit/Rcv	Xmit/Rcv	Xmit/Rcv	Xmit/Rcv	Xmit/Rcv	
17/17	-1/-1	-15/-15	-7/-6	-18/-14	-30/-20	-32/-31	-30/-30	-35

• **Isolation** : Meets or exceeds 802.3 IEEE Requirements • **Characteristic Filter Impedance** : 100 •

Package



Schematic



Notes :	EPE6119G	EPE6119G-RC
1. Assembly Process (Solder Composition)	SnPb	Pb-Free + (RoHS exemption 7a)
2. Peak Solder Rating (per IPC/JEDEC J-STD-020C)	225°C	260°C
3. Moisture Sensitive Levels (MSL) (per IPC/JEDEC J-STD-020C)	MSL = 3 (168 Hours, 30°C/60%RH)	MSL = 4 (72 Hours, 30°C/60%RH)
4. Weight	1.85 grams	1.85 grams
5. Packaging Information (*Add "TR" to end of part number when placing order)	(Tube)	19 pieces/tube
	(Tape & Reel)	550 pieces/13" reel (*EPE6119G-TR)
		550 pieces/13" reel (*EPE6119G-RCTR)

Unless Otherwise Specified Dimensions are in Inches /mm ± .010 / .25