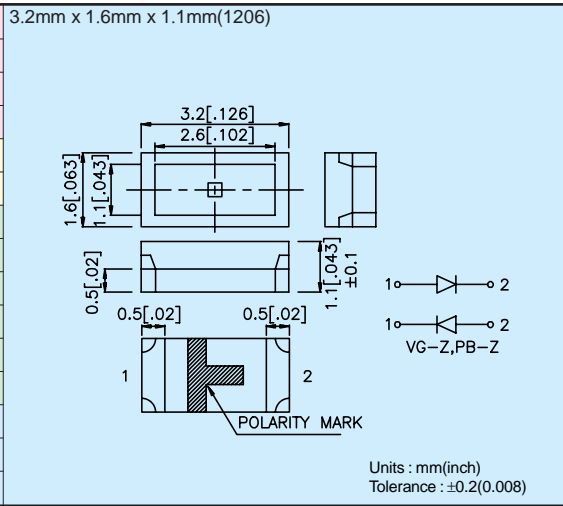


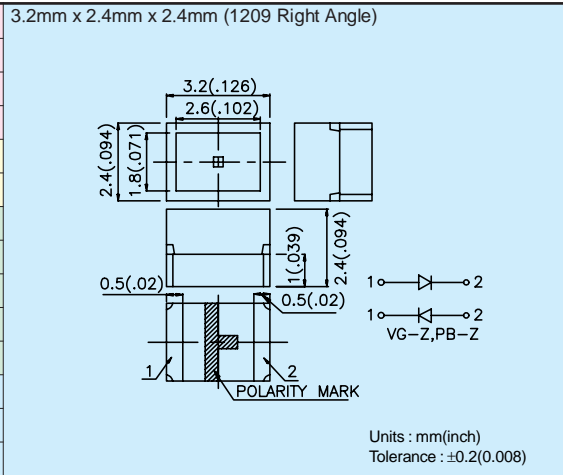


Part No.	Material	λ D (nm)	Lens Type	Iv (mcd) @20mA		Viewing Angle 2θ1/2	Dimension
				Min.	Typ.		

KPK-3216SURC	InGaAlP	628	water clear	110	250	90°
KPK-3216SURCK	InGaAlP	635	water clear	70	200	90°
KPK-3216SEC	InGaAlP	601	water clear	110	300	90°
KPK-3216SECK	InGaAlP	601	water clear	70	250	90°
KPK-3216SYC	InGaAlP	588	water clear	50	150	90°
KPK-3216SYCK	InGaAlP	590	water clear	36	120	90°
KPK-3216MGC	InGaAlP	568	water clear	36	90	90°
KPK-3216CGCK	InGaAlP	570	water clear	18	60	90°
KPK-3216TGC	InGaN	505	water clear	70	150	90°
KPK-3216ZGC	AlInGaN	525	water clear	110	300	90°
KPK-3216VGC-A	InGaN	525	water clear	70	200	90°
KPK-3216VGC-Z	InGaN	535	water clear	480	1000	90°
KPK-3216QBC-D	AlInGaN	470	water clear	50	120	90°
KPK-3216PBC-A	InGaN	470	water clear	36	70	90°
KPK-3216PBC-Z-SI	InGaN	465	water clear	110	250	110°



KPEKA-3224SURC	InGaAlP	628	water clear	110	280	90°
KPEKA-3224SURCK	InGaAlP	635	water clear	110	250	90°
KPEKA-3224SEC	InGaAlP	601	water clear	110	300	90°
KPEKA-3224SECK	InGaAlP	601	water clear	110	250	90°
KPEKA-3224SYC	InGaAlP	588	water clear	50	150	90°
KPEKA-3224SYCK	InGaAlP	590	water clear	50	120	90°
KPEKA-3224MGC	InGaAlP	568	water clear	50	110	90°
KPEKA-3224CGCK	InGaAlP	570	water clear	36	60	90°
KPEKA-3224ZGC	AlInGaN	525	water clear	110	300	90°
KPEKA-3224VGC-A	InGaN	525	water clear	70	250	90°
KPEKA-3224VGC-Z	InGaN	535	water clear	480	1000	90°
KPEKA-3224QBC-D	AlInGaN	470	water clear	50	120	90°
KPEKA-3224PBC-A	InGaN	470	water clear	36	100	90°
KPEKA-3224PBC-Z-SI	InGaN	465	water clear	110	250	110°



KPK-3520SURC	InGaAlP	628	water clear	70	230	120°
KPK-3520SURCK	InGaAlP	635	water clear	50	200	120°
KPK-3520SEC	InGaAlP	601	water clear	110	300	120°
KPK-3520SECK	InGaAlP	601	water clear	70	250	120°
KPK-3520SYC	InGaAlP	588	water clear	50	150	120°
KPK-3520SYCK	InGaAlP	590	water clear	36	120	120°
KPK-3520MGC	InGaAlP	568	water clear	36	90	120°
KPK-3520CGCK	InGaAlP	570	water clear	18	50	120°
KPK-3520TGC	InGaN	505	water clear	50	150	120°
KPK-3520ZGC	AlInGaN	525	water clear	110	200	120°
KPK-3520VGC-A	InGaN	525	water clear	70	200	120°
KPK-3520VGC-Z	InGaN	535	water clear	480	1000	120°
KPK-3520QBC-D	AlInGaN	470	water clear	70	130	120°
KPK-3520PBC-A	InGaN	470	water clear	18	60	120°
KPK-3520PBC-Z-SI	InGaN	465	water clear	110	250	110°

