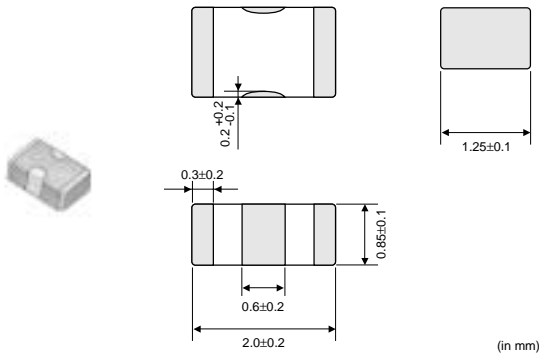


# Chip EMIFIL® Capacitor Type

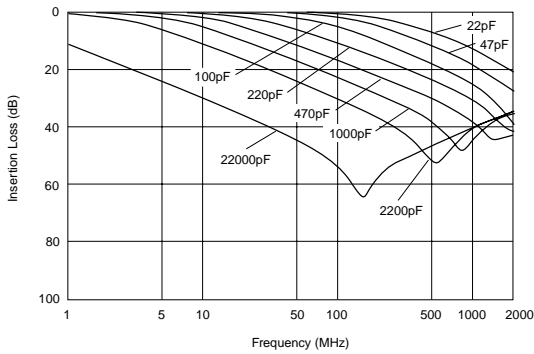
Chip EMIFIL®

● NFM21C Series

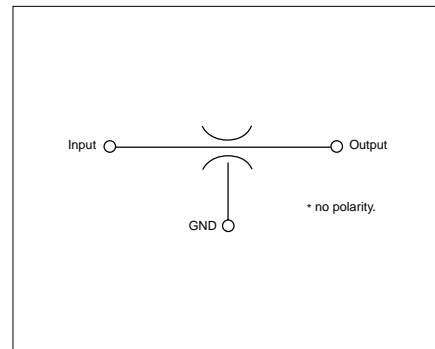


(in mm)

IL of Main Items

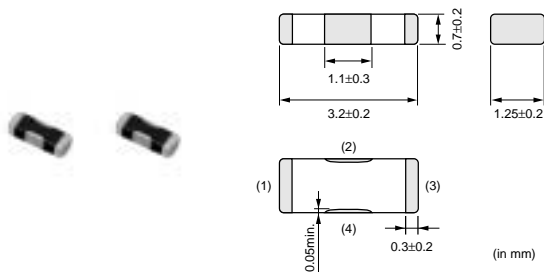


Equivalent Circuit



Part Number	Capacitance (pF)	Rated Voltage (Vdc)	Rated Current	Insulation Resistance (M ohm)	Operating Temperature Range (°C)
NFM21CC220U1H3	22 +20%, -20%	50	300mA	1000 min.	-55 to 125
NFM21CC470U1H3	47 +20%, -20%	50	300mA	1000 min.	-55 to 125
NFM21CC101U1H3	100 +20%, -20%	50	300mA	1000 min.	-55 to 125
NFM21CC221R1H3	220 +20%, -20%	50	300mA	1000 min.	-55 to 125
NFM21CC471R1H3	470 +20%, -20%	50	300mA	1000 min.	-55 to 125
NFM21CC102R1H3	1000 +20%, -20%	50	300mA	1000 min.	-55 to 125
NFM21CC222R1H3	2200 +20%, -20%	50	300mA	1000 min.	-55 to 125
NFM21CC223R1H3	22000 +20%, -20%	50	1A	1000 min.	-55 to 125

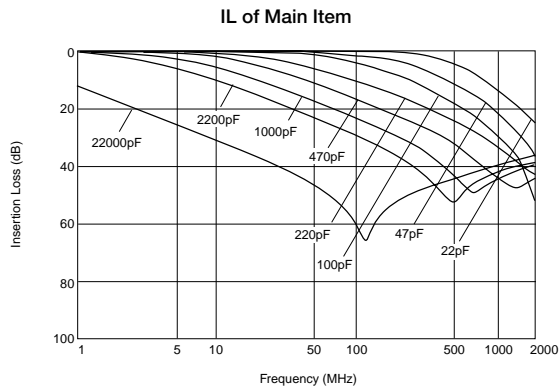
● NFM3DC Series



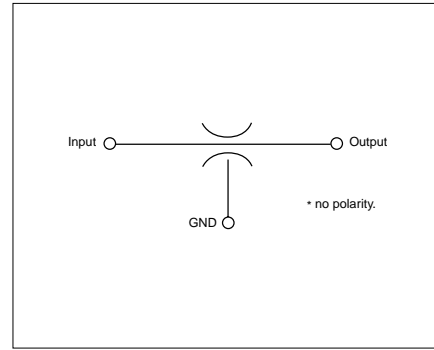
(in mm)

Continued on the following page.

Continued from the preceding page.

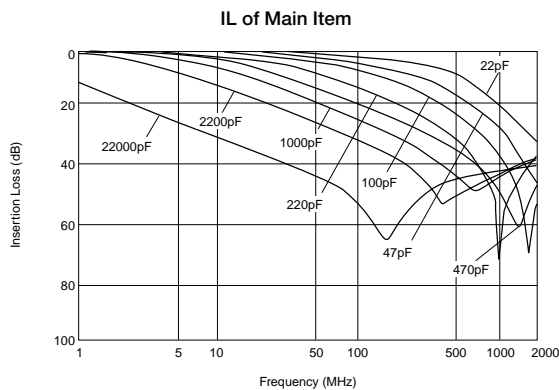
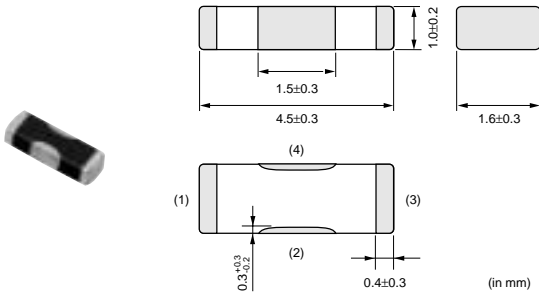


Equivalent Circuit

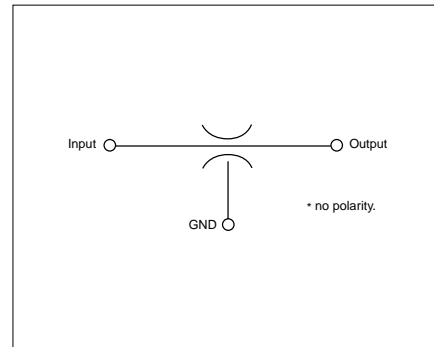


Part Number	Capacitance (pF)	Rated Voltage (Vdc)	Rated Current (mA)	Insulation Resistance (M ohm)	Operating Temperature Range (°C)
NFM3DCC220U1H3	22 +50%, -20%	50	300	1000 min.	-55 to 125
NFM3DCC470U1H3	47 +50%, -20%	50	300	1000 min.	-55 to 125
NFM3DCC101U1H3	100 +50%, -20%	50	300	1000 min.	-55 to 125
NFM3DCC221R1H3	220 +50%, -20%	50	300	1000 min.	-55 to 125
NFM3DCC471R1H3	470 +50%, -20%	50	300	1000 min.	-55 to 125
NFM3DCC102R1H3	1000 +50%, -20%	50	300	1000 min.	-55 to 125
NFM3DCC222R1H3	2200 +50%, -20%	50	300	1000 min.	-55 to 125
NFM3DCC223R1H3	22000 +50%, -20%	50	300	1000 min.	-55 to 125

## ● NFM41C Series



Equivalent Circuit



Part Number	Capacitance (pF)	Rated Voltage (Vdc)	Rated Current (mA)	Insulation Resistance (M ohm)	Operating Temperature Range (°C)
NFM41CC220U2A3	22 +50%, -20%	100	300	10000 min.	-55 to 125
NFM41CC470U2A3	47 +50%, -20%	100	300	10000 min.	-55 to 125
NFM41CC101U2A3	100 +50%, -20%	100	300	10000 min.	-55 to 125

Continued on the following page.

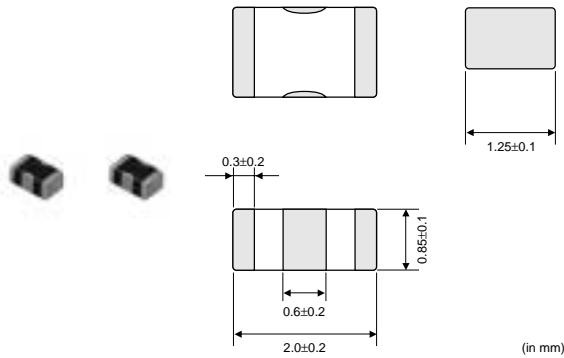
Continued from the preceding page.

Part Number	Capacitance (pF)	Rated Voltage (Vdc)	Rated Current (mA)	Insulation Resistance (M ohm)	Operating Temperature Range (°C)
NFM41CC221U2A3	220 +50%,-20%	100	300	10000 min.	-55 to 125
NFM41CC471R2A3	470 +50%,-20%	100	300	10000 min.	-55 to 125
NFM41CC102R2A3	1000 +50%,-20%	100	300	10000 min.	-55 to 125
NFM41CC222R2A3	2200 +50%,-20%	100	300	10000 min.	-55 to 125
NFM41CC223R2A3	22000 +50%,-20%	100	300	10000 min.	-55 to 125

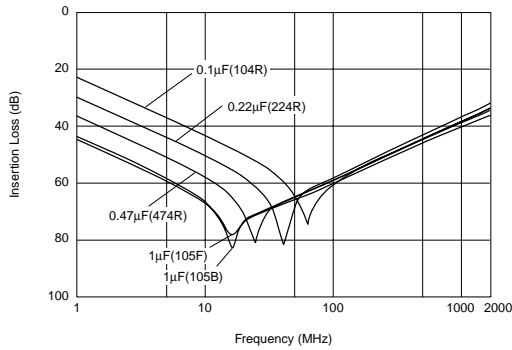
## Chip EMIFIL® Capacitor Type

Chip EMIFIL® for Large Current

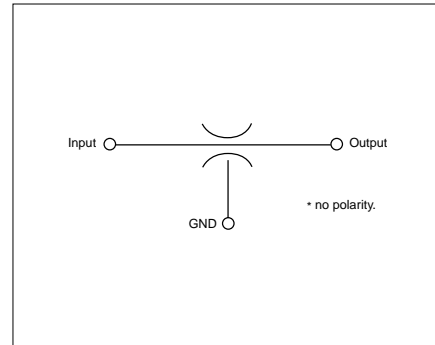
### ● NFM21P Series



Insertion Loss(Typ.)

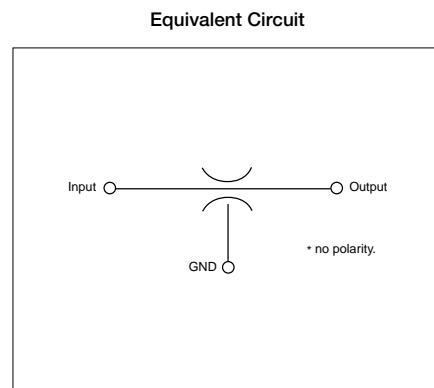
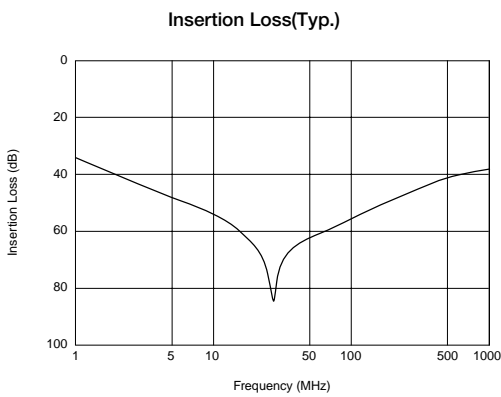
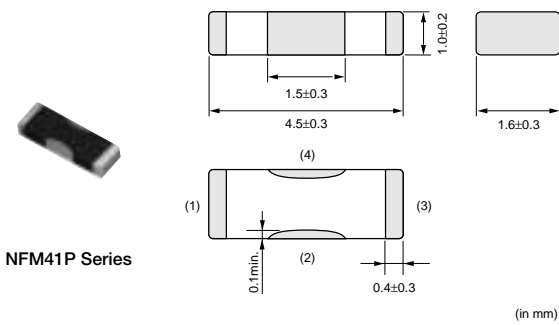
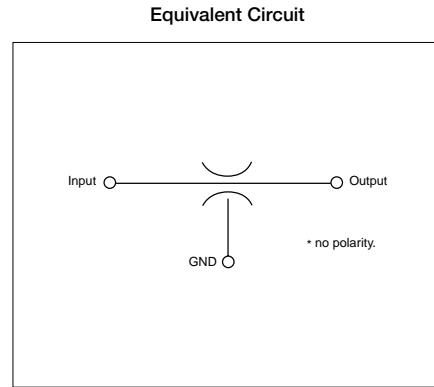
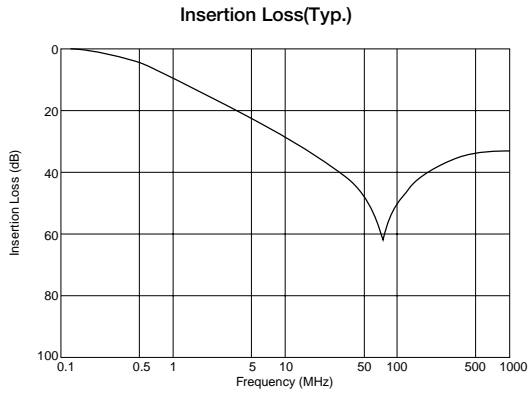
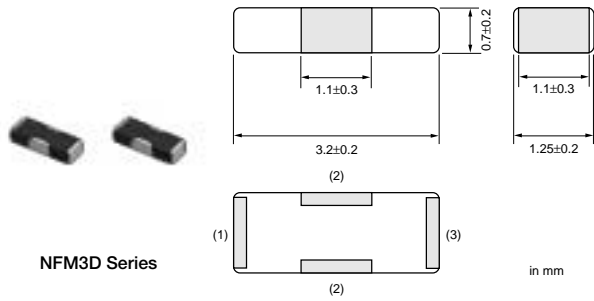


Equivalent Circuit



Part Number	Capacitance (pF)	Rated Voltage (Vdc)	Rated Current (A)	Insulation Resistance (M ohm)	Operating Temperature Range (°C)
NFM21PC104R1E3	100000 +20%,-20%	25	2	1000 min.	-55 to 125
NFM21PC224R1C3	220000 +20%,-20%	16	2	1000 min.	-55 to 125
NFM21PC474R1C3	470000 +20%,-20%	16	2	1000 min.	-55 to 125
NFM21PC105B1A3	1000000 +20%,-20%	10	4	500 min.	-40 to 85
NFM21PC105F1C3	1000000 +80%,-20%	16	2	500 min.	-40 to 85

## ● NFM3DP/NFM41P/NFM55P Series

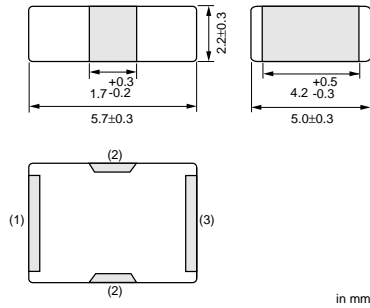


Continued on the following page.

Continued from the preceding page.

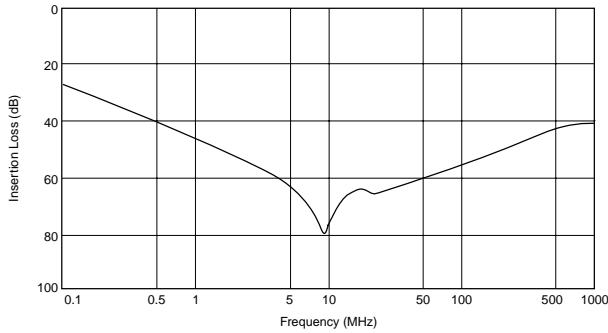


NFM55P Series

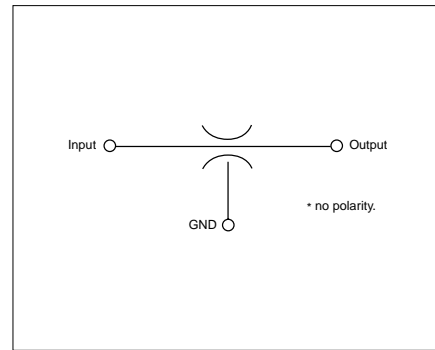


in mm

Insertion Loss(Typ.)



Equivalent Circuit

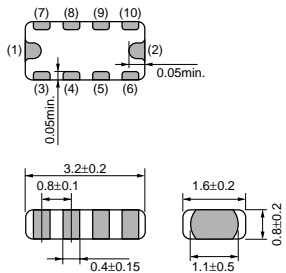


Part Number	Capacitance (pF)	Rated Voltage (Vdc)	Rated Current (A)	Insulation Resistance (M ohm)	Operating Temperature Range (°C)
NFM3DPC223R1H2	22000 +20%,-20%	50	2	1000 min.	-55 to 85
NFM41PC204F1H3	200000 +80%,-20%	50	2	1000 min.	-55 to 85
NFM55PC155F1H4	1500000 +80%,-20%	50	6	100 min.	-55 to 85

## Chip EMIFIL® Capacitor Type

Chip EMIFIL® Arrays

### ● NFA31C Series

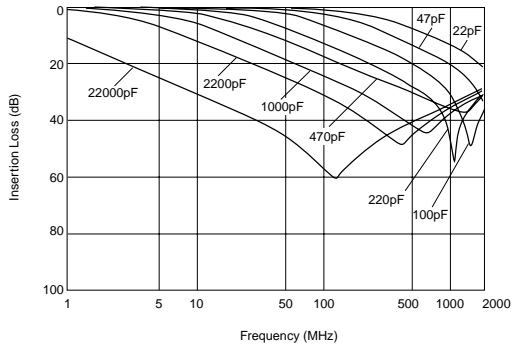


(in mm)

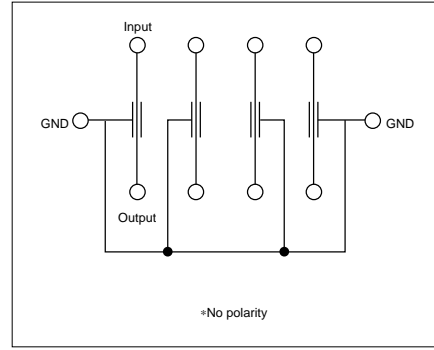
Continued on the following page. ↗

Continued from the preceding page.

IL of Main Items



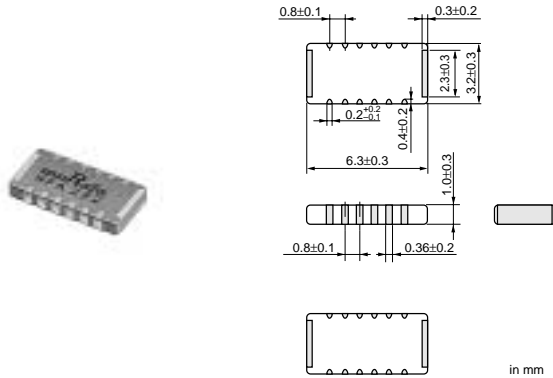
Equivalent circuit



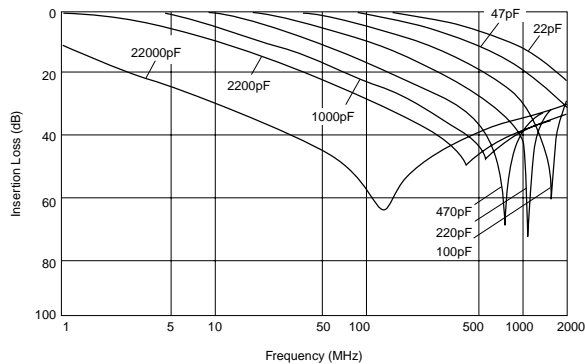
Part Number	Capacitance (pF)	Rated Voltage (Vdc)	Rated Current (mA)	Insulation Resistance (M ohm)	Operating Temperature Range (°C)
NFA31CC220S1E4	22 +20%,-20%	25	200	1000 min.	-40 to 85
NFA31CC470S1E4	47 +20%,-20%	25	200	1000 min.	-40 to 85
NFA31CC101S1E4	100 +20%,-20%	25	200	1000 min.	-40 to 85
NFA31CC221S1E4	220 +20%,-20%	25	200	1000 min.	-40 to 85
NFA31CC471R1E4	470 +20%,-20%	25	200	1000 min.	-40 to 85
NFA31CC102R1E4	1000 +20%,-20%	25	200	1000 min.	-40 to 85
NFA31CC222R1E4	2200 +20%,-20%	25	200	1000 min.	-40 to 85
NFA31CC223R1C4	22000 +20%,-20%	16	200	1000 min.	-40 to 85

Number of Circuit : 4

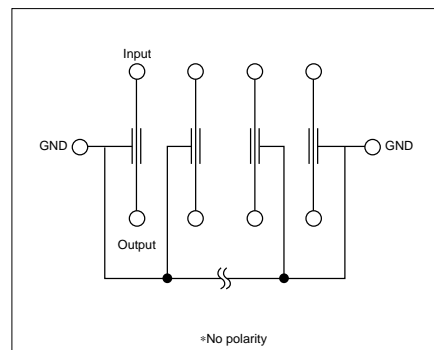
● NFA6CC Series



IL of Main Items



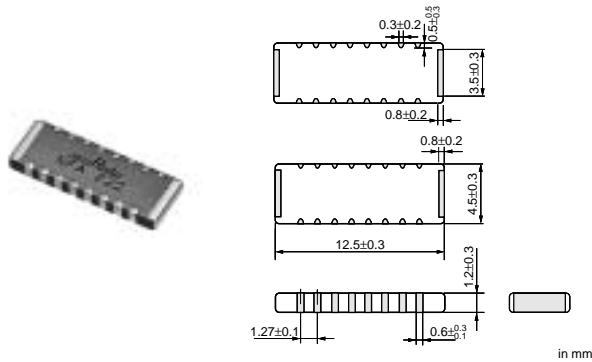
Equivalent Circuit



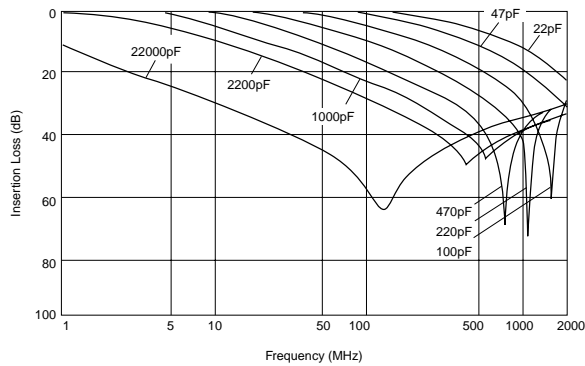
Part Number	Capacitance (pF)	Rated Voltage (Vdc)	Rated Current (mA)	Insulation Resistance (M ohm)	Operating Temperature Range (°C)
NFA6CCC220S1H6	22 +50%, -20%	50	200	1000 min.	-55 to 85
NFA6CCC470S1H6	47 +50%, -20%	50	200	1000 min.	-55 to 85
NFA6CCC101S1H6	100 +50%, -20%	50	200	1000 min.	-55 to 85
NFA6CCC221S1H6	220 +50%, -20%	50	200	1000 min.	-55 to 85
NFA6CCC471S1H6	470 +50%, -20%	50	200	1000 min.	-55 to 85
NFA6CCC102S1H6	1000 +50%, -20%	50	200	1000 min.	-55 to 85
NFA6CCC222R1H6	2200 +50%, -20%	50	200	1000 min.	-55 to 85
NFA6CCC223R1H6	22000 +50%, -20%	50	200	1000 min.	-55 to 85

Number of Circuit : 6

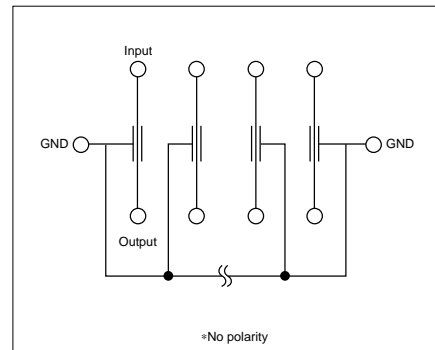
● NFAC1C Series



IL of Main Items



Equivalent Circuit



Part Number	Capacitance (pF)	Rated Voltage (Vdc)	Rated Current (mA)	Insulation Resistance (M ohm)	Operating Temperature Range (°C)
NFAC1CC220S1H8	22 +50%, -20%	50	300	1000 min.	-55 to 125
NFAC1CC470S1H8	47 +50%, -20%	50	300	1000 min.	-55 to 125
NFAC1CC101S1H8	100 +50%, -20%	50	300	1000 min.	-55 to 125
NFAC1CC221S1H8	220 +50%, -20%	50	300	1000 min.	-55 to 125
NFAC1CC471S1H8	470 +50%, -20%	50	200	1000 min.	-55 to 125
NFAC1CC102R1H8	1000 +50%, -20%	50	200	1000 min.	-55 to 125
NFAC1CC222R1H8	2200 +50%, -20%	50	200	1000 min.	-55 to 125
NFAC1CC223R1H8	22000 +50%, -20%	50	300	1000 min.	-55 to 125

Number of Circuit : 8