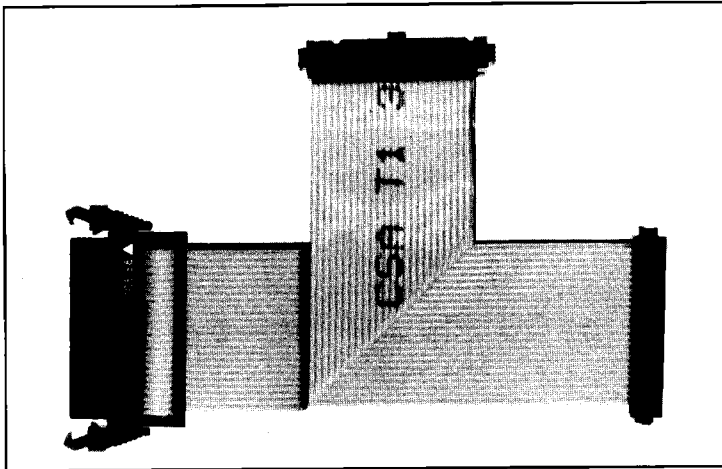


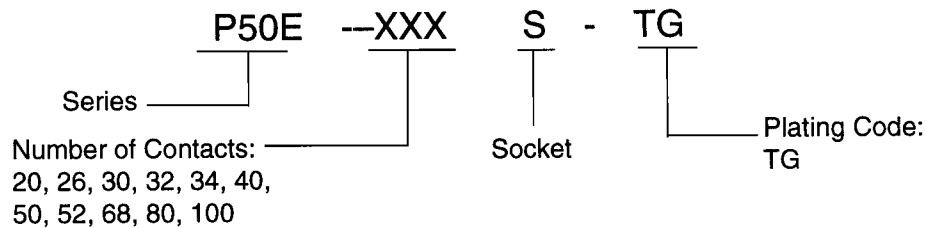
IDC CONNECTORS

P50E Series

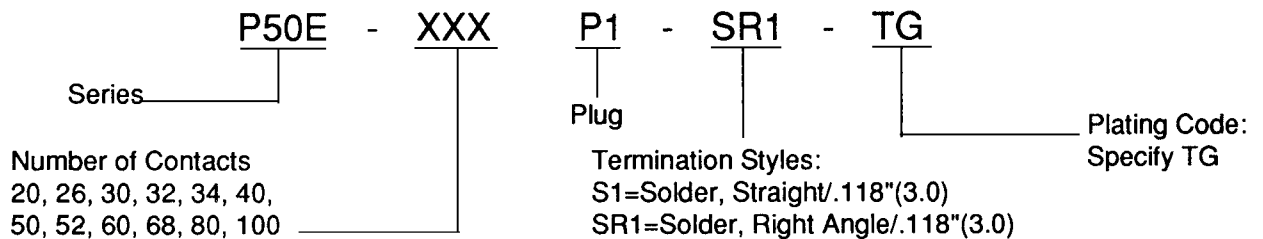


- Standard .100" and .050" connectors used on one cable to accommodate backward and forward compatibility
- 3-dimensional mating
- Latching eject mechanism facilitates mating and unmating
- Accepts 28 AWG Cable
- Utilizes Robinson Nugent flat cable tooling
- Finished cable assemblies to customer specifications available through Cablelink

How to Order RN PAK-50 IDC Product P50E Series SOCKET



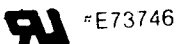
PLUG



Materials:

Body: Glass-filled black nylon
Contact: Phosphor Bronze

Pending Approval:



Performance Characteristics:

Cable Size: 28 AWG
Dielectric Withstanding Voltage: 650 volts AC
Contact Resistance: 30mΩ or less
Insulation Resistance: 1000MΩ or more at 500 volts DC
Current Rating: 0.5 Ampere/contact
Flammability: UL 94V-0
Temperature Range: -55°C to + 105°C

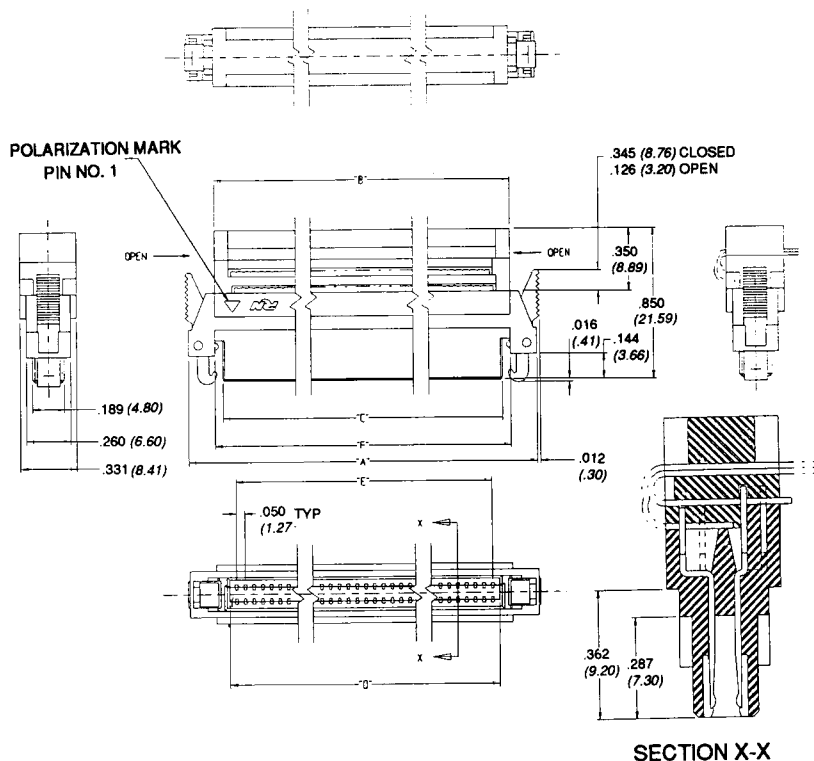
Plating Specifications:

TG= 10 μinch (.254 μm) minimum
Gold on contact area
80 μinch (2.03 μm) minimum
Tin on terminal area
Underplate of 80 μinch
(2.03 μm) minimum nickel

Contact factory for additional plating options.

P50 Series

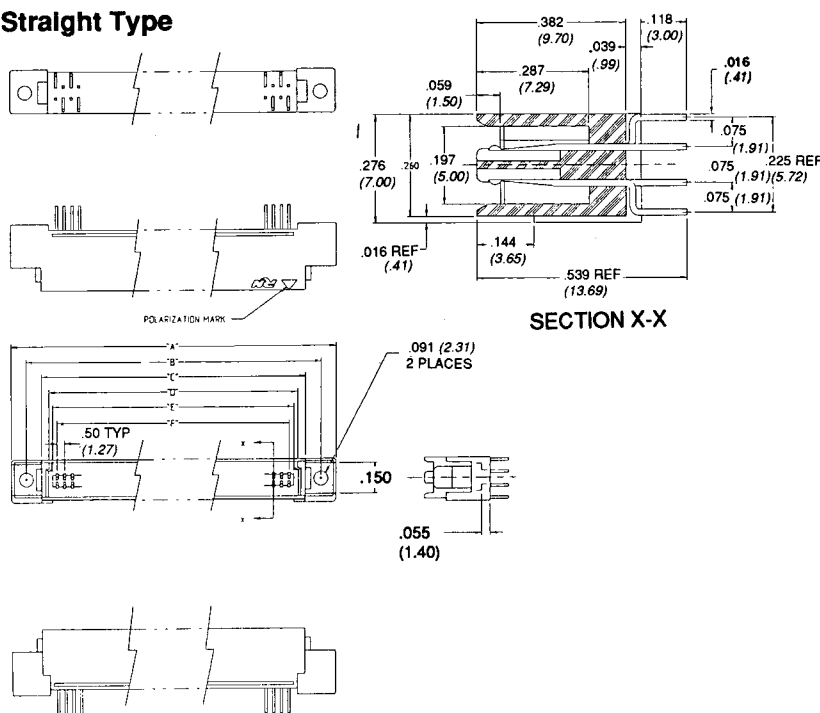
SOCKET



No. of Contacts	A	B	C	D	E	F
20	1.096 (27.84)	0.702 (17.83)	0.607 (15.42)	0.529 (13.44)	0.450 (11.43)	0.722 (18.32)
26	1.296 (32.92)	0.852 (21.64)	0.757 (19.23)	0.679 (17.25)	0.600 (15.24)	0.872 (22.13)
30	1.346 (34.19)	0.952 (24.18)	0.857 (21.77)	0.779 (19.79)	0.700 (17.78)	0.972 (24.67)
32	1.396 (35.46)	1.002 (25.45)	0.907 (23.04)	0.829 (21.06)	0.750 (19.05)	1.022 (25.94)
34	1.446 (36.73)	1.052 (26.72)	0.957 (24.31)	0.879 (22.33)	0.800 (20.32)	1.072 (27.21)
40	1.596 (40.54)	1.202 (30.53)	1.107 (28.12)	1.029 (26.14)	0.950 (24.13)	1.222 (31.02)
50	1.846 (46.89)	1.452 (36.88)	1.357 (34.47)	1.279 (32.49)	1.200 (30.48)	1.472 (37.37)
52	1.896 (48.16)	1.502 (38.15)	1.407 (35.74)	1.329 (33.76)	1.250 (31.75)	1.522 (38.64)
60	2.096 (53.24)	1.702 (43.23)	1.607 (40.82)	1.529 (38.84)	1.450 (36.83)	1.722 (43.72)
68	2.296 (58.32)	1.902 (48.31)	1.807 (45.90)	1.729 (43.92)	1.650 (41.91)	1.922 (48.80)
80	2.596 (65.94)	2.202 (55.93)	2.107 (53.52)	2.029 (51.54)	1.950 (49.53)	2.222 (56.44)
100	3.096 (78.64)	2.702 (68.63)	2.607 (66.22)	2.529 (64.24)	2.450 (62.23)	2.722 (69.14)

PLUG

Straight Type

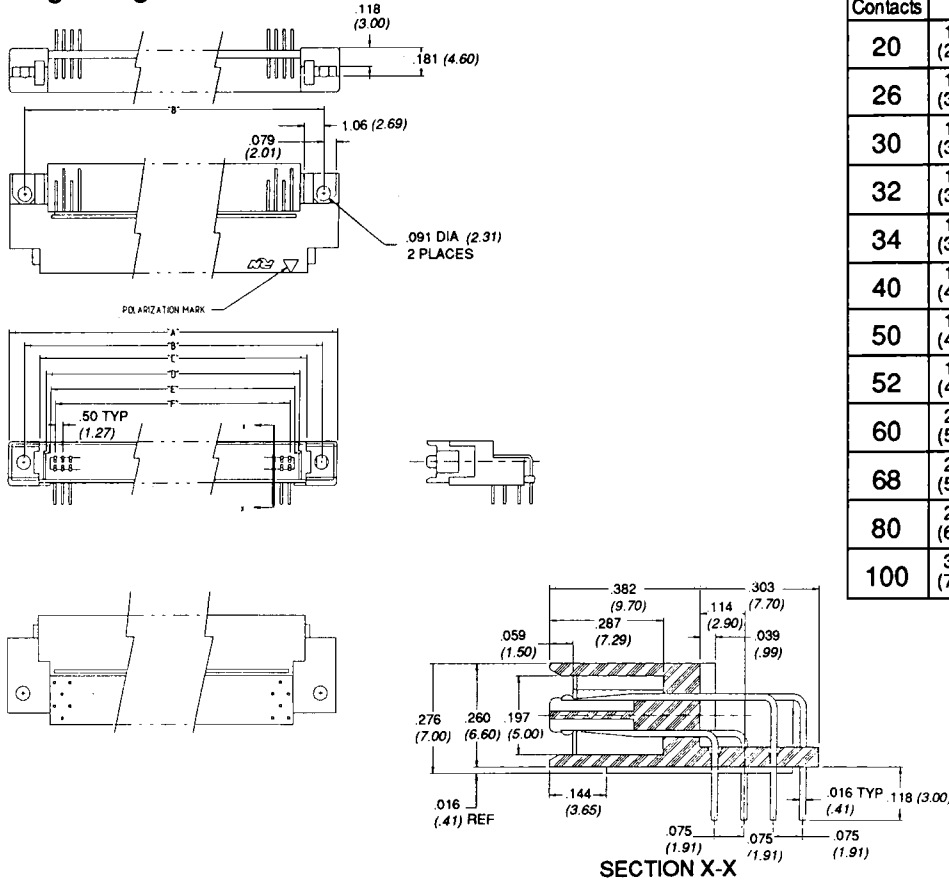


No. of Contacts	A	B	C	D	E	F
20	1.096 (27.84)	0.900 (22.86)	0.702 (17.83)	0.623 (15.83)	0.517 (13.13)	0.450 (11.43)
26	1.246 (31.65)	1.050 (26.67)	0.852 (21.64)	0.773 (19.64)	0.667 (16.94)	0.600 (15.24)
30	1.346 (34.19)	1.150 (29.21)	0.952 (24.18)	0.873 (22.18)	0.767 (19.48)	0.700 (17.78)
32	1.396 (35.46)	1.200 (30.48)	1.002 (25.45)	0.923 (23.45)	0.817 (20.75)	0.750 (19.05)
34	1.446 (36.73)	1.250 (31.75)	1.052 (26.72)	0.973 (24.72)	0.867 (22.02)	0.800 (20.32)
40	1.596 (40.54)	1.400 (35.56)	1.202 (30.53)	1.123 (28.53)	1.017 (25.83)	0.950 (24.13)
50	1.846 (46.89)	1.650 (41.91)	1.452 (36.88)	1.373 (34.88)	1.267 (32.18)	1.200 (30.48)
52	1.896 (48.16)	1.700 (43.18)	1.502 (38.15)	1.423 (36.15)	1.317 (33.45)	1.250 (31.75)
60	2.096 (53.24)	1.900 (48.26)	1.702 (43.23)	1.623 (41.23)	1.517 (38.53)	1.450 (36.83)
68	2.296 (58.32)	2.100 (53.34)	1.902 (48.31)	1.823 (46.31)	1.717 (43.61)	1.650 (41.91)
80	2.596 (65.94)	2.400 (60.96)	2.202 (55.93)	2.123 (53.93)	2.017 (51.23)	1.950 (49.53)
100	3.096 (78.64)	2.900 (73.66)	2.702 (68.63)	2.623 (66.63)	2.517 (63.93)	2.450 (62.23)

IDC CONNECTORS

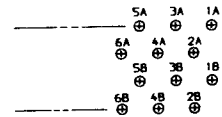
PLUG

Right Angle



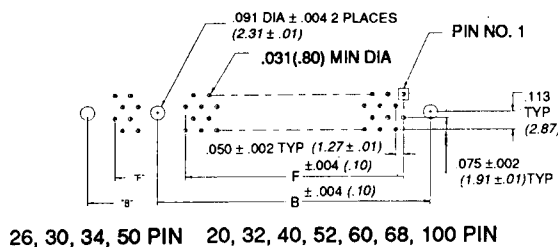
No. of Contacts	A	B	C	D	E	F
20	1.096 (27.84)	0.900 (22.86)	0.702 (17.83)	0.623 (15.83)	0.517 (13.13)	0.450 (11.43)
26	1.246 (31.65)	1.050 (26.67)	0.852 (21.64)	0.773 (19.64)	0.667 (16.94)	0.600 (15.24)
30	1.346 (34.19)	1.150 (29.21)	0.952 (24.18)	0.873 (22.18)	0.767 (19.48)	0.700 (17.78)
32	1.396 (35.46)	1.200 (30.48)	1.002 (25.45)	0.923 (23.45)	0.817 (20.75)	0.750 (19.05)
34	1.446 (36.73)	1.250 (31.75)	1.052 (26.72)	0.973 (24.72)	0.867 (22.02)	0.800 (20.32)
40	1.596 (40.54)	1.400 (35.56)	1.202 (30.53)	1.123 (28.53)	1.017 (25.83)	0.950 (24.13)
50	1.846 (46.89)	1.650 (41.91)	1.452 (36.88)	1.373 (34.88)	1.267 (32.18)	1.200 (30.48)
52	1.896 (48.16)	1.700 (43.18)	1.502 (38.15)	1.423 (36.15)	1.317 (33.45)	1.250 (31.75)
60	2.096 (53.24)	1.900 (48.26)	1.702 (43.23)	1.623 (41.23)	1.517 (38.53)	1.450 (36.83)
68	2.296 (58.32)	2.100 (53.34)	1.902 (48.31)	1.823 (46.31)	1.717 (43.61)	1.650 (41.91)
80	2.596 (65.94)	2.400 (60.96)	2.202 (55.93)	2.123 (53.93)	2.017 (51.23)	1.950 (49.53)
100	3.096 (78.64)	2.900 (73.66)	2.702 (68.63)	2.623 (66.63)	2.517 (63.93)	2.450 (62.23)

Pin Out Identification

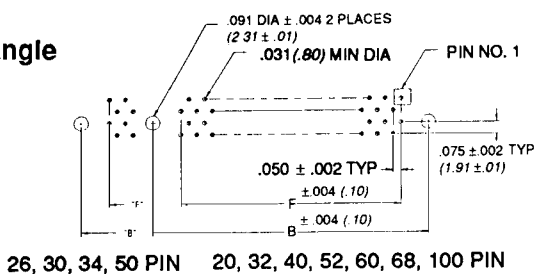


Printed Circuit Board Layout

Straight



Right Angle



No. of Contacts	A	B	C	D	E	F
20	1.096 (27.84)	0.900 (22.86)	0.702 (17.83)	0.623 (15.83)	0.517 (13.13)	0.450 (11.43)
26	1.246 (31.65)	1.050 (26.67)	0.852 (21.64)	0.773 (19.64)	0.667 (16.94)	0.600 (15.24)
30	1.346 (34.19)	1.150 (29.21)	0.952 (24.18)	0.873 (22.18)	0.767 (19.48)	0.700 (17.78)
32	1.396 (35.46)	1.200 (30.48)	1.002 (25.45)	0.923 (23.45)	0.817 (20.75)	0.750 (19.05)
34	1.446 (36.73)	1.250 (31.75)	1.052 (26.72)	0.973 (24.72)	0.867 (22.02)	0.800 (20.32)
40	1.596 (40.54)	1.400 (35.56)	1.202 (30.53)	1.123 (28.53)	1.017 (25.83)	0.950 (24.13)
50	1.846 (46.89)	1.650 (41.91)	1.452 (36.88)	1.373 (34.88)	1.267 (32.18)	1.200 (30.48)
52	1.896 (48.16)	1.700 (43.18)	1.502 (38.15)	1.423 (36.15)	1.317 (33.45)	1.250 (31.75)
60	2.096 (53.24)	1.900 (48.26)	1.702 (43.23)	1.623 (41.23)	1.517 (38.53)	1.450 (36.83)
68	2.296 (58.32)	2.100 (53.34)	1.902 (48.31)	1.823 (46.31)	1.717 (43.61)	1.650 (41.91)
80	2.596 (65.94)	2.400 (60.96)	2.202 (55.93)	2.123 (53.93)	2.017 (51.23)	1.950 (49.53)
100	3.096 (78.64)	2.900 (73.66)	2.702 (68.63)	2.623 (66.63)	2.517 (63.93)	2.450 (62.23)