

IDC type male connector for cable  
PCS-D( ) ( ) MA1( ) +

For cable

IDC (0.635 mm)

RoHS

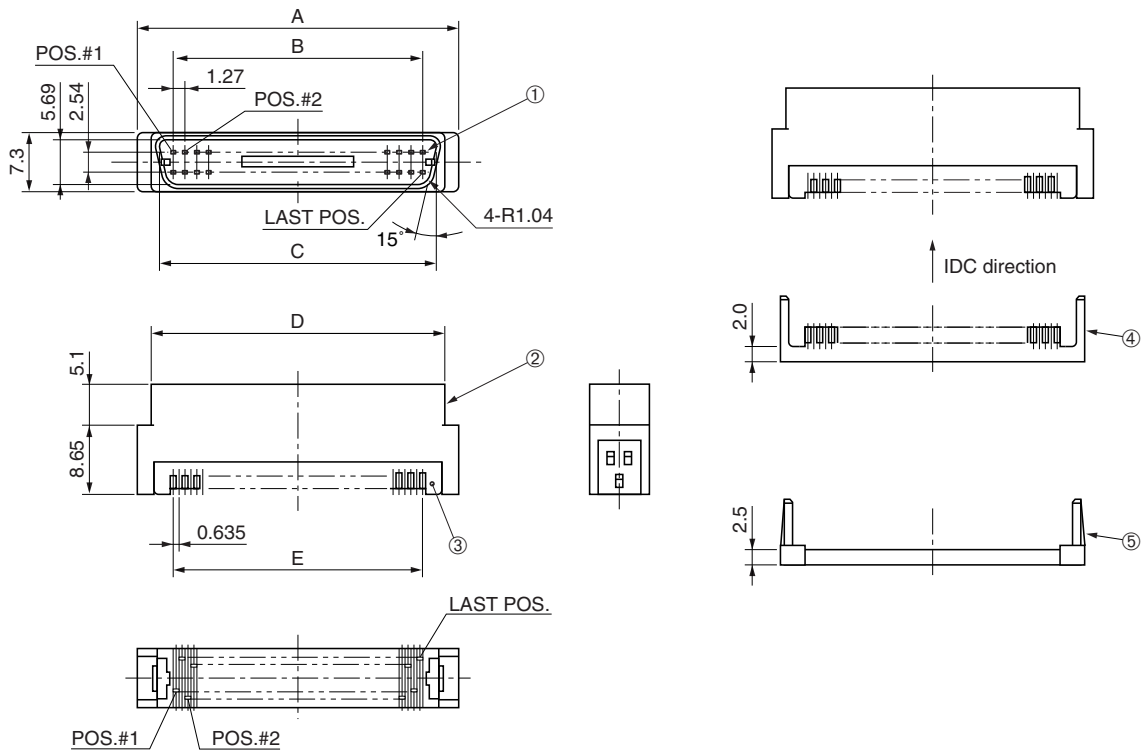
Daisy chain



● Configuration of product Part No.

PCS-D ( ) ( ) MA1 ( ) +  
① ② ③ ④ ⑤ ⑥

- ① Series name
- ② No. of contacts: 50 or 68
- ③ Strain relief  
Blank: Not provided  
R : Provided
- ④ Type of contact: Male
- ⑤ Cable size  
A: AWG#30 (7 / 0.1) For flat cable
- ⑥ Contact plating  
Blank: Min. 0.2 μm Gold plating  
G1 : Min. 0.76 μm Gold plating



● Components

|   |                 |
|---|-----------------|
| ① | Contacts        |
| ② | Insulator       |
| ③ | Cable housing A |
| ④ | Cable housing B |
| ⑤ | Strain relief   |

Because some combinations of "Configurations of Product Part No.", are under consideration for development, please contact us for availability details.

● Dimensions

| Part No.           | A     | B     | C     | D     | E      |
|--------------------|-------|-------|-------|-------|--------|
| PCS-D50( )MA1( ) + | 40.13 | 30.48 | 34.85 | 36.8  | 31.115 |
| PCS-D68( )MA1( ) + | 51.56 | 41.91 | 46.28 | 48.23 | 42.545 |

Mating connectors: PCS series straight through hole type female connector for PCB

PCS-XE series through hole type female connector for PCB

Required tools: MLPT-0003A (68 contacts) and MLPT-0003B (50 contacts) locators